



# RAFFINATO

FIRE PIT

---

INSTALLATION GUIDE  
AND OWNER'S MANUAL

# TABLE OF CONTENTS

- COMPONENTS .....3
- OVERALL DIMENSIONS..... 4
- POSITIONING REFERENCE PER LAYER .....5
- FOUNDATION PREPARATION
  - PAVER SURFACE OR CONCRETE SLAB.....5
  - COMPACTED GRAVEL BASE.....5
- INSTALLATION OF BLOCKS..... 6
- OPERATION AND MAINTENANCE .....7
- WARRANTY ..... 8

# GENERAL INFORMATION

PLEASE SAVE THIS OWNER'S MANUAL FOR FUTURE REFERENCE

Check with your municipality for regulations on the installation and use of outdoor fire pits. We also recommend that you contact your home insurance company and advise them of the acquisition of your new Techo-Bloc fire pit.

---

## IMPORTANT

This fire pit is for **OUTDOOR USE ONLY**. NEVER build a fire pit for use in a house, warehouse, gazebo, garage, or any other indoor setting.

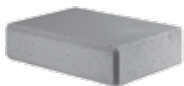
Check with your municipality for minimum clearance distances. Make sure that there is nothing directly above the fire pit area that can be a potential fire and/or injury hazard (e.g. tree branches, awnings, patio umbrellas, electrical wires, transformers, cantilevered roof structures, etc.).

When selecting the location of your fire pit, make sure that it is located at least 20 feet away from any structure or building.

**IF YOU WISH TO CONVERT THIS INTO A GAS FIRE PIT, A GAS OR PROPANE INSERT & WIRING WILL BE REQUIRED. CONSULT YOUR LOCAL FIRE PLACE STORE TO PURCHASE THE INSERT & TO HIRE A CERTIFIED FIRE FEATURE TECHNICIAN FOR INSTALLATION.**

---

## COMPONENTS



**A.** Raffinato 90 mm corner block (with colour accent)  
(x10)



**B.** Raffinato 180 mm corner block  
(x20)



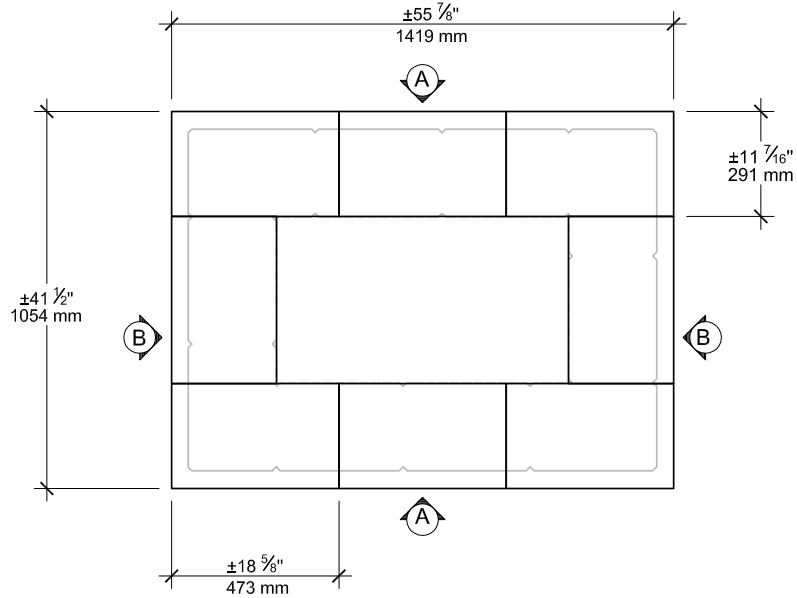
**C.** Cap unit (with colour accent)  
(x8)



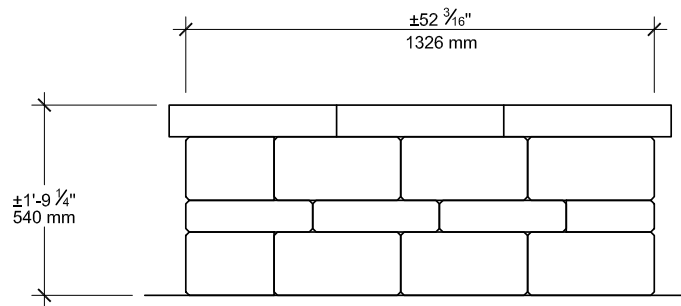
**D.** Steel insert  
(x1)

# OVERALL DIMENSIONS

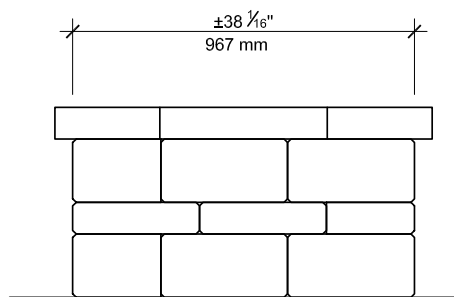
Below are the overall dimensions of the fire pit. The height shown is the total height (including buried portion). **Unless installed directly on a paver surface or concrete slab, the fire pit should be buried about 2" or 3" below finished grade.**



TOP ELEVATION

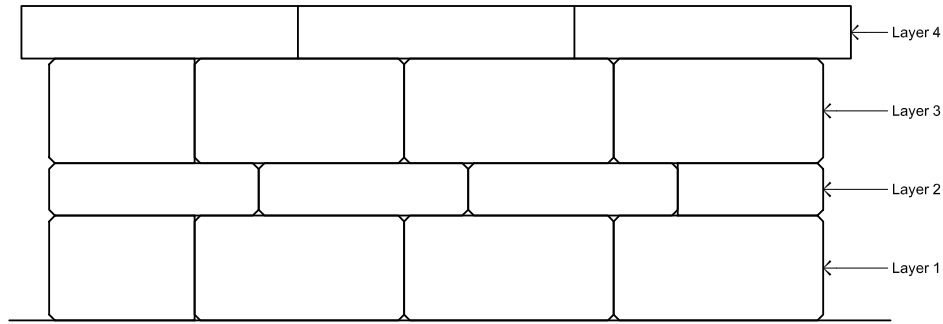


ELEVATION A



ELEVATION B

# POSITIONING REFERENCE PER LAYER



## FOUNDATION PREPARATION

### **PAVER SURFACE OR CONCRETE SLAB**

If you are building the fire pit on an existing paver surface or concrete slab, drill through the pavement to provide a 2" diameter drain hole at the lowest point. This will allow the rainwater to infiltrate into the ground. Fill the drain hole with clean stone. Go to step "Installation of Blocks".

### **COMPACTED GRAVEL BASE**

Mark out the area of the fire pit and excavate to accommodate 6" of well compacted, dense-graded aggregate base, a 1" layer of sand setting bed, and about 2" or 3" of fire pit wall that will be buried below ground. The aggregate base should extend at least 6" on all the sides of the fire pit walls.

It is recommended that a geotextile be laid on the top of the soil surface and up the sides of the excavated area.

Place and uniformly compact the aggregate base. The aggregate base should be compacted, for best results, using a vibratory plate compactor, or hand tamper.

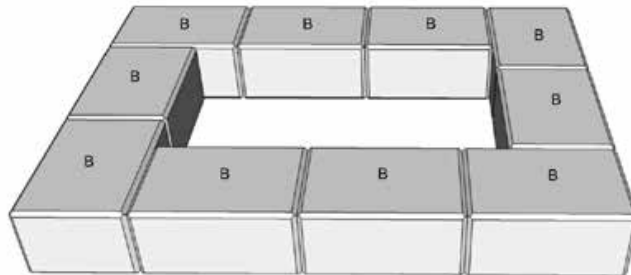
Spread 1" concrete sand setting bed and level using two 1" diameter pipes and a straight edge (such as a 2"×4"). Keep in mind that the 1" setting bed will be reduced to 5/8" once the wall blocks will be set into the sand setting bed with a mallet.

**NOTE: if the fire pit is being installed along with a paver installation, the aggregate base course and setting bed of pavers can be extended to be used for the fire pit installation.**

# INSTALLATION OF BLOCKS

## LAYER 1

Place the first course of blocks as shown on the drawing. Verify that no gaps are left at the outer face of the blocks. Once the first course has been aligned, use a soft-head mallet to set the blocks into the sand setting bed. Make sure that the blocks are leveled from front to back, side to side, and from block to block.

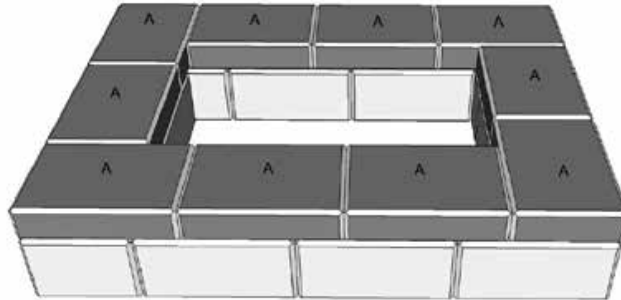


---

LAYER 1

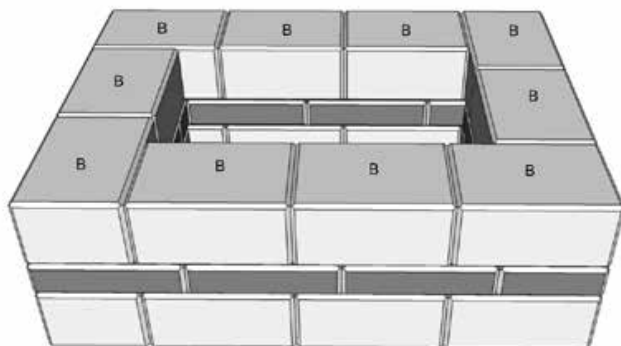
## LAYER 2 TO 3

Install the next courses as shown on the drawings and using the steel insert as a template for each layer. Use a heat resistant concrete adhesive to glue every course to the blocks beneath it. All units should be dry and dust free before applying adhesives. Any alignment adjustments should be done quickly as the adhesive will set up in a short amount of time and the block will set in place.



---

LAYER 2



---

LAYER 3

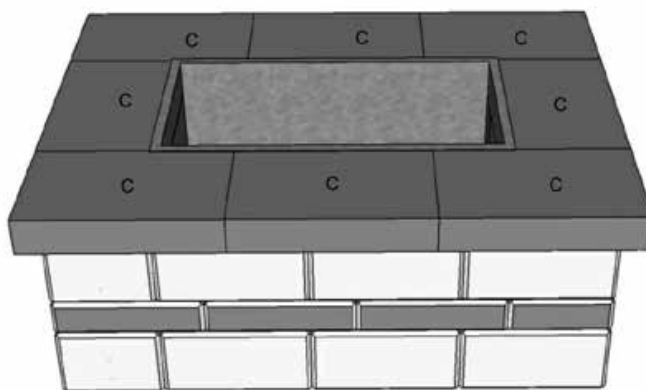
## LAYER 4

Dry lay the cap units and place the steel insert in the center of the opening. Make sure that the insert flange rests evenly on top of the cap units and that the cap units overhang the fire pit wall in a uniform way.

Take out the steel insert and lift up each cap unit individually leaving the others in place to act as a guide. Apply adhesive to glue every cap unit to the blocks beneath it. Put back the steel insert with the flange resting on top of the cap units.

Fill the inside of the pit with  $\frac{3}{4}$ " (20 mm) clean stone to a depth of 4" (100 mm). This will allow the filtration of any water that may evacuate through the walls of the fire pit following a rainstorm.

Do not light a fire for at least 48 hours to allow any adhesive to cure properly and for potentially flammable fumes to dissipate.



LAYER 4

## OPERATION AND MAINTENANCE

- The fire pit is not designed for large fires. Use only a small amount of dry and clean hardwood for burning.
- Allow the fire to burn out on its own unless it is an emergency case. Extinguishing an active fire with water or any other liquid may cause the metal components of the accessory kit to warp and will encourage the formation of rust.
- Do not burn charcoals, leaves, trash, paper, cardboard, and softwoods such as pine, cedar and plywood.
- Do not use lighter fluid, gasoline, or other fire accelerants to start or maintain fires.
- Never touch the steel insert and flange while a fire is lit. The steel insert and flange will become extremely hot and burn the skin on contact. Wear fire resistant gloves when maintaining the fire.
- The fire pit area must always be clear and free from any combustible materials such as gasoline, propane tanks and/or any other flammable vapors and/or liquids.
- Always have a fire extinguisher or garden hose nearby for any potential emergency.
- Avoid using the fire pit in windy conditions.
- At each use, before starting a fire, remove all accumulation of ashes, wood and debris from the fire bowl and inspect the overall fire pit and accessories to ensure that it is in safe operational condition.

- Children and pets should NEVER be left unsupervised when the fire pit is in use. We highly recommend that good fire safety measures are practiced and that you and your guests maintain a minimum distance of 3 feet away from the fire pit to avoid potential injury.
- Do not sit, lean on or stand on the fire pit wall.
- Ensure that the fire pit area is always clear of toys, clothing, etc.
- Do not use the fire pit for cooking purposes.
- Never leave an active fire unattended.
- It is recommended to replace the clean stone at the bottom of the fire pit annually to maintain proper water filtration.

## WARRANTY

For warranty details and exclusions on TECHO-BLOC PRODUCTS, please visit our website at: <https://www.techo-bloc.com/contact-us/about-us/>



---

REDEFINING LANDSCAPE PRODUCTS

**CANADA** 5255, Albert-Millichamp street, St-Hubert, Québec J3Y 8Z8

**USA** 852 Pennsylvania ave, Pen Argyl, PA 18072

**Toll free: 1-877-832-4625** | Fax : 450-656-1120 | [www.techo-bloc.com](http://www.techo-bloc.com)