



MANCHESTER FOYER

INSTALLATION GUIDE
AND OWNER'S MANUAL



TABLE OF CONTENTS

GENERAL INFORMATION	3
IMPORTANT	3
LOCATION	3
MANCHESTER FOYER SHALE GREY DIMENSIONS	4
MANCHESTER FOYER HARVEST GOLD DIMENSIONS	6
PREPARATION: FOUNDATION	8
INSTALLING YOUR FIREPLACE	8
USE AND MAINTENANCE	10
BUILDING A FIRE	11
WARRANTY	11

GENERAL INFORMATION

PLEASE SAVE THIS OWNER'S MANUAL FOR FUTURE REFERENCE

Carefully read the information in this manual before installing and using the fireplace. Improper installation, operation and maintenance can result in serious injury, fire and/or damages not covered by the warranty.

IMPORTANT

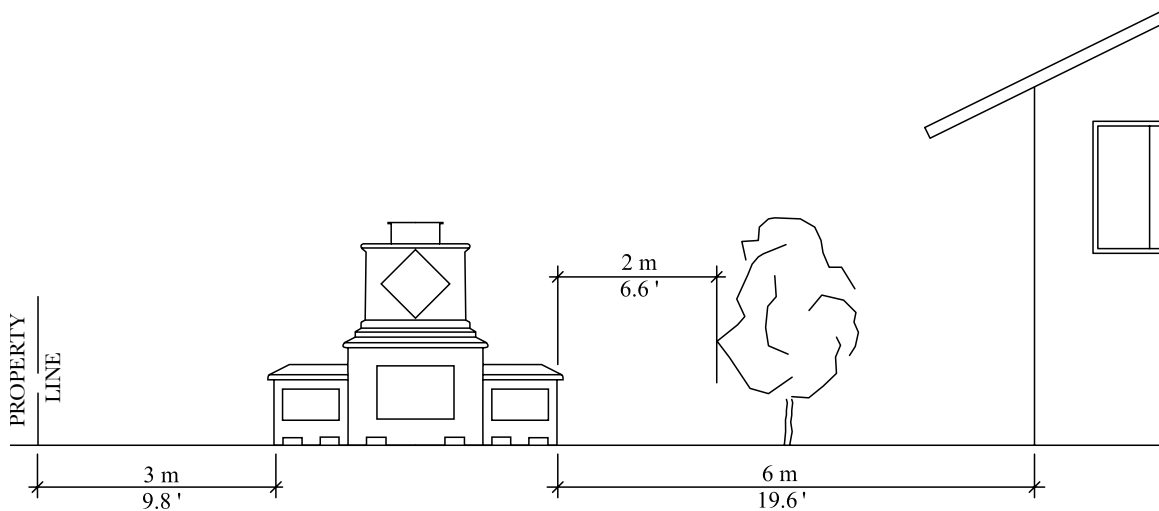
Techo-Bloc strongly recommends verifying with your municipality for regulations on the installation and use of the outdoor fireplace prior to installation. We also recommend that you contact your home insurance company and advise them of the acquisition of your new Techo-Bloc fireplace.

Do not burn logs directly on the base of the fireplace, burning wood should always be supported by a fire-proof wood grate.

LOCATION

This fireplace is for OUTDOOR USE ONLY and should NOT be used inside a building, garage, shed, or any other closed space.

When selecting the area to install a fireplace, make sure to allocate a minimum distance of 19.6 feet (6 m) from any structure or building (e.g. house, garage, gazebo, etc.). Check local regulations to determine how far from the building, other structures, and property lines the fireplace must be placed.



Make sure that there is nothing directly above the fireplace area that can be a potential fire and/or injury hazard, such as tree branches, awnings, patio umbrellas, electrical wires, transformers, etc.

Make sure to keep combustible materials a safe distance of 8' from the front of the fireplace.

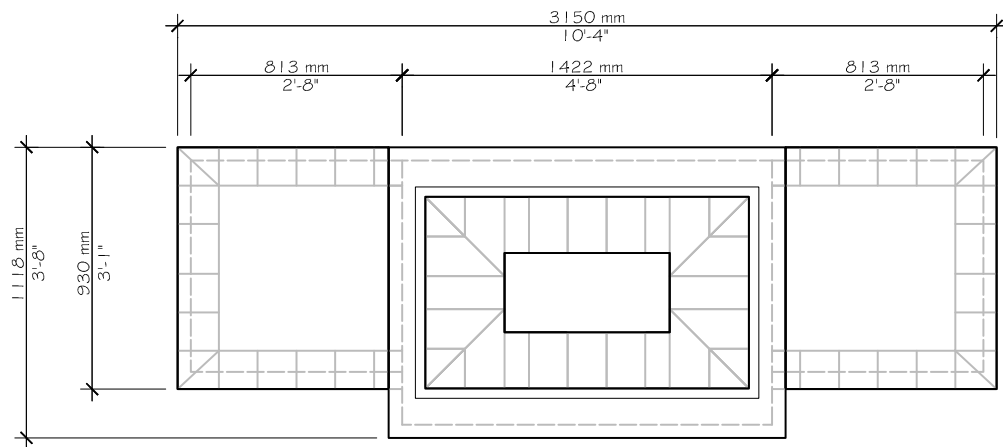
Manchester Foyer

SHALE GREY

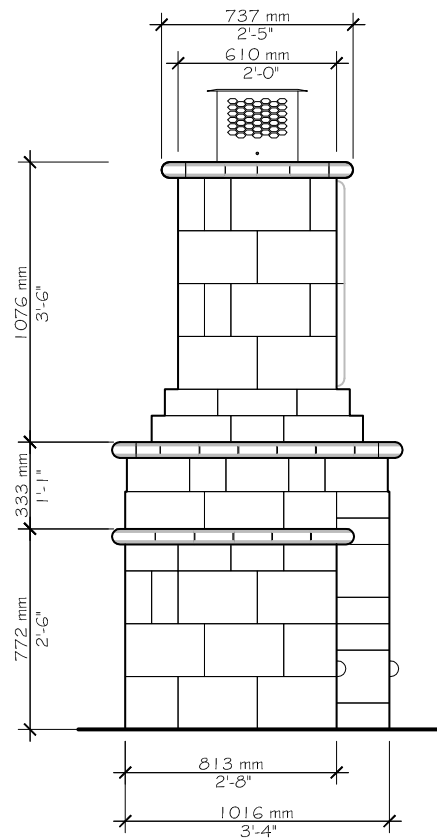
DIMENSIONS



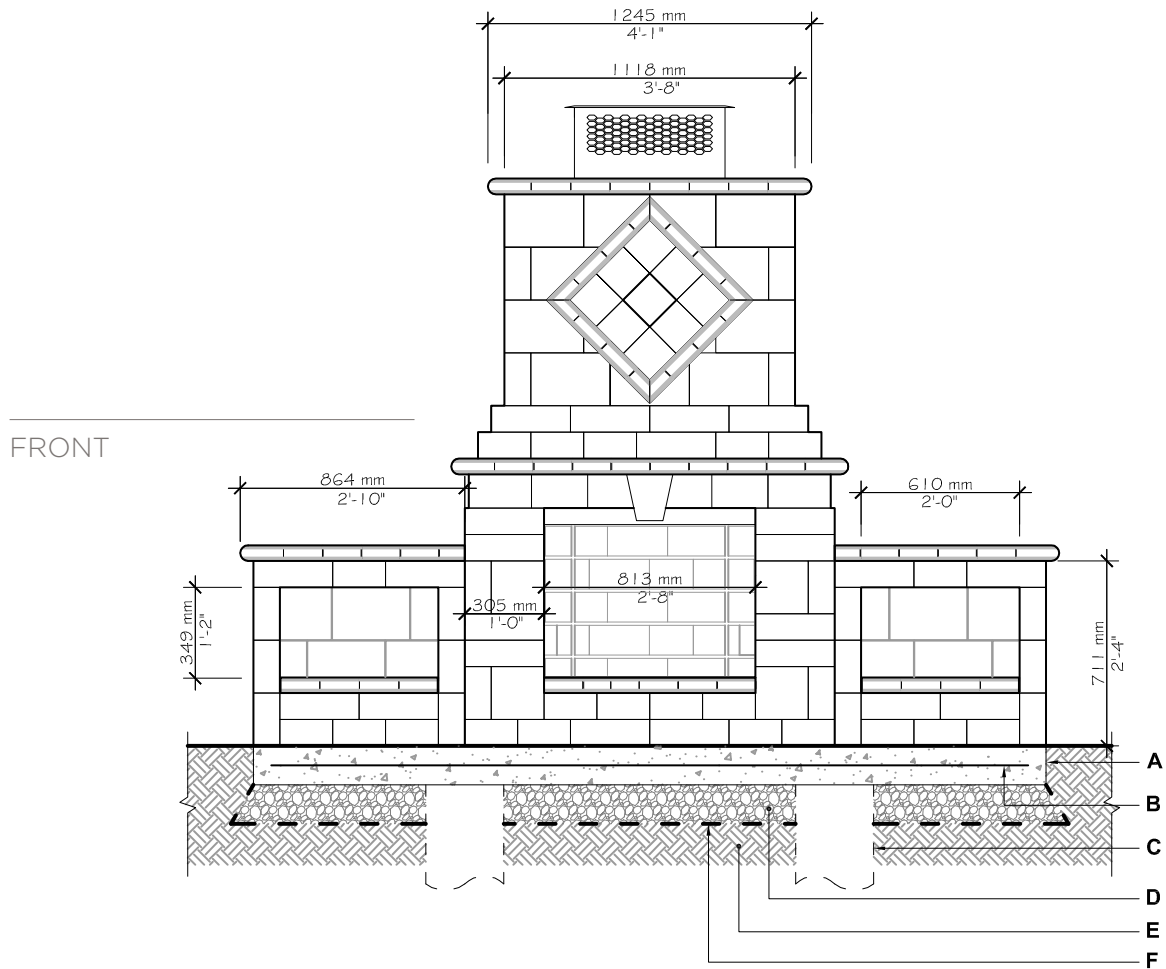
TOP



SIDE



This drawing is for informational purposes only; It is not site specific.



- | | |
|--|---|
| A. Cast in place concrete slab - 30 MPa
150 mm (6") thick | D. 20 mm ($\frac{3}{4}$ ") clean stone
150 mm (6") thick min.
as per site conditions |
| B. 152 x 152 MW 18.7 x MW 18.7
(6 x 6-W2.9 x W2.9) welded wire
mesh as per site conditions | E. Natural soil or compacted backfill |
| C. 300 mm (12") \varnothing concrete pillar
foundation extended to 150 mm
(6") below frost line as per site
conditions and local building
regulations | F. Geotextile |

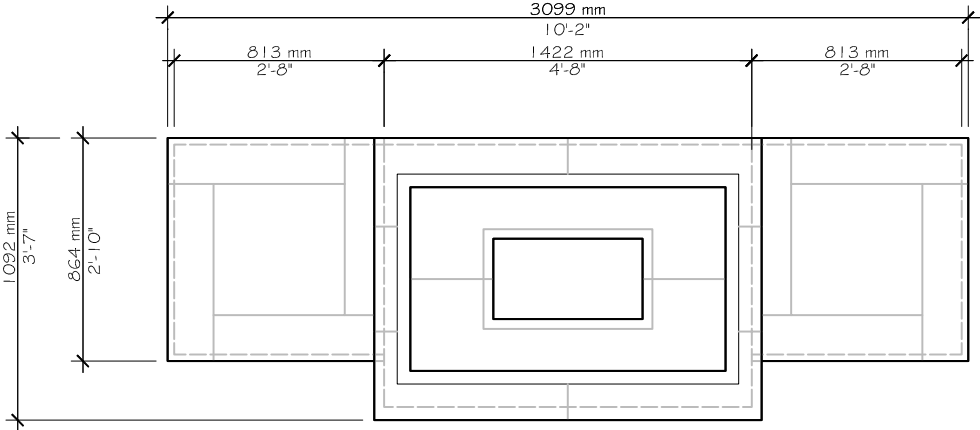
Manchester Foyer

HARVEST GOLD

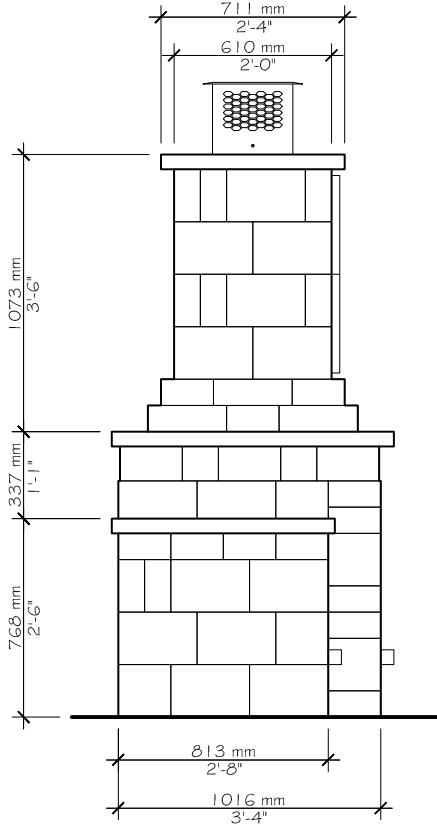
DIMENSIONS



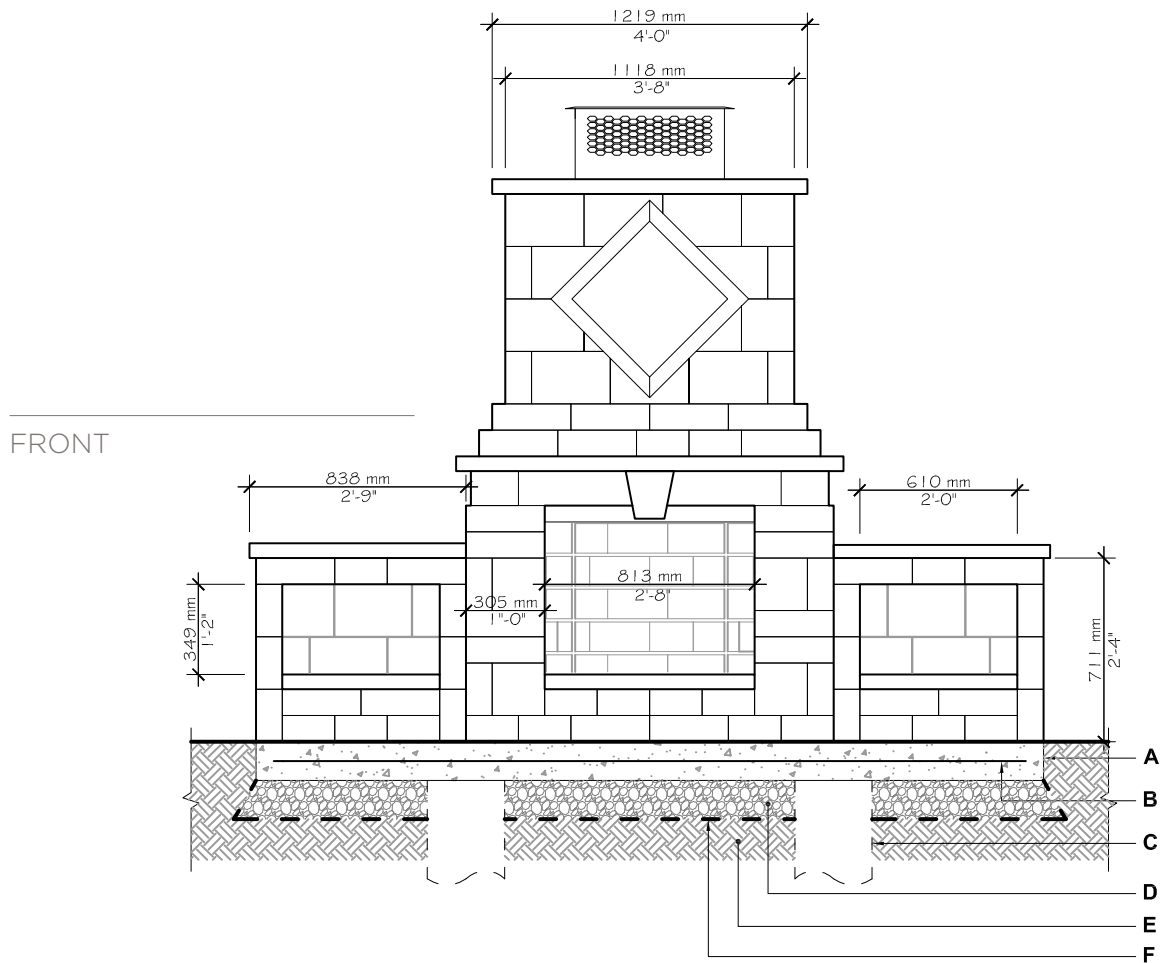
TOP



SIDE



This drawing is for informational purposes only; It is not site specific.



FRONT

- | | |
|--|---|
| <p>A. Cast in place concrete slab - 30 MPa
150 mm (6") thick</p> <p>B. 152 × 152 MW 18.7 × MW 18.7
(6 × 6-W2.9 × W2.9) welded wire
mesh as per site conditions</p> <p>C. 300 mm (12") ø concrete pillar
foundation extended to 150 mm
(6") below frost line as per site
conditions and local building
regulations</p> | <p>D. 20 mm (3/4") clean stone
150 mm (6") thick min.
as per site conditions</p> <p>E. Natural soil or compacted backfill</p> <p>F. Geotextile</p> |
|--|---|

PREPARATION: FOUNDATION

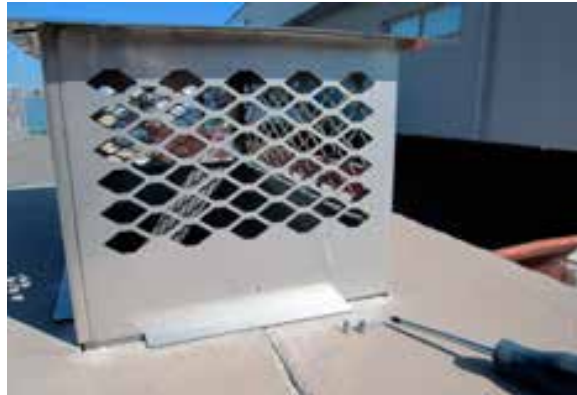
1. Determine where you want to locate your fireplace in your yard or patio. Keep in mind that this is a pre-built unit, and that your contractor or distributor will need access to deliver the unit.
2. Excavate as necessary for the concrete foundation. The foundation must be built according to your local building code. Check with your municipality and local building code for requirements for fireplace foundations.
3. It is the installer's sole responsibility to verify all measurements and local regulations prior to construction.

INSTALLING YOUR FIREPLACE

1. Remove the shipping straps from the fireplace and insert the forklift forks between the openings in the base.
2. Place the base on the level concrete base (see *Preparation: foundation* in previous section)
3. Install the filler blocks in the fork holes.



4. Remove the shipping straps that hold the top unit to the skid.
5. Insert the forks of the lifting device into the slots in the top unit and lift it onto the base unit. Make sure the two units are precisely aligned using the markings on the base unit, otherwise the flue will not slide down into the proper position.
6. Once the top unit is in place, remove the shipping screws from the flue and slide the flue liner into place. The liner should rest flat on top of the base unit, not on the coping or caps. Make sure the flue slides down to the concrete opening. Re-attach the cap to the flue liner through the holes in the chimney cap.



7. Place the filler blocks into the fork holes.
8. A fire-proof wood grate is required in the fireplace to support the logs. Do not burn logs directly on the base of the fireplace, burning wood should always be supported by a fire-proof wood grate. A wood grate can be purchased at your local home hardware store.
9. Gently place the wood boxes (if purchased) on either side of the fireplace. Be very careful, as the bullnose or coping will break if it is pushed too hard against the fireplace.



wood box



*wood grate
21" x 13" maximum*

10. Before starting a fire in the fireplace, read "Use and Maintenance".

NB: If you want a permanent installation, you may glue the units and the filler blocks in place using any paver or masonry glue. Otherwise, avoid glue.

IMPORTANT: USE AND MAINTENANCE

- The fireplace area must always be clear and free from any combustible materials such as gasoline, propane tanks and/or any other flammable vapors and/or liquids.
- Never use gasoline, gasoline-type lantern fuel, kerosene, charcoal lighter fluid, or similar liquids to start or freshen up a fire in this fireplace. Keep all such liquids well away from the fireplace while it is in use.
- Do not over fire.
- Always have a fire extinguisher or garden hose nearby for any potential emergency.
- Avoid using your fireplace in windy conditions.
- At each use, before starting a fire, remove all accumulation of ashes, wood and debris from the fireplace to ensure that it is in safe operational condition.
- **Disposal of ashes:** Ashes should be placed in a metal container with a tight-fitting lid. The closed container of ashes should be placed on a non-combustible floor or on the ground, well away from all combustible materials, pending final disposal. If ashes are disposed of by burial in soil or otherwise locally dispersed, they should be retained in the closed container until all cinders have thoroughly cooled.
- Children and pets should NEVER be left unsupervised when the fireplace is in use. We highly recommend that good fire safety measures are practiced and that you and your guests maintain a minimum distance of 36" (1 m) away from an active fire to avoid potential injury.
- Do NOT sit, lean on or stand on the fireplace wall.
- Ensure that the fireplace area is always clear of toys, clothing, etc.
- Do not use the fireplace for cooking purposes.
- Do not use a fireplace insert or other products not specified for use with this fireplace.
- **WARNING:** This fireplace has not been tested with an unvented gas log set. To reduce the risk of fire or injury, do not install an unvented gas log set into this fireplace.
- **WARNING:** This fireplace has not been tested for use with doors. To reduce the risk of fire or injury, do not install doors.
- Never leave an active fire unattended.
- Allow the fire to burn out naturally unless it is an emergency.
- **WARNING:** when using solid fuel firelogs: Do not poke or stir the logs while they are burning. Use only firelogs that have been evaluated for the application in fireplace and refer to firelog warnings and caution markings on packaging prior to use.
- Use solid wood fuel only
- **Creosote** – Formation and need for removal
 - When wood is burned slowly, it produces tar and other organic vapors, which combine with expelled moisture to form creosote. The creosote vapors condense in the relatively cool chimney flue of a slow-burning fire. As a result, creosote residue accumulates on the flue lining. When ignited this creosote makes an extremely hot fire.
 - The chimney shall be inspected at least twice a year during the heating season to determine when a creosote buildup has occurred.
 - When creosote has accumulated it shall be removed to reduce the risk of a chimney fire.

BUILDING A FIRE

1. On the wood grate, place 4-5 pieces of crumpled newspaper in the fireplace.
2. On the top of the newspaper, place several pieces of kindling.
3. On the top of kindling, place 3-4 pieces of solid wood.
4. Light the newspaper carefully.

NB: If you extinguish the fire with water or any other liquid, you will cause warping in the metal components of the fireplace and may promote rust.

WARRANTY

For warranty details and exclusions on TECHO-BLOC PRODUCTS, please visit our website at: <https://www.techo-bloc.com/contact-us/about-us/>



REDEFINING LANDSCAPE PRODUCTS

CANADA 5255, Albert-Millichamp street, St-Hubert, Québec J3Y 8Z8

USA. 852 Pennsylvania ave, Pen Argyl, PA 18072

Toll free: 1-877-832-4625 | Fax : 450-656-1120 | www.techo-bloc.com