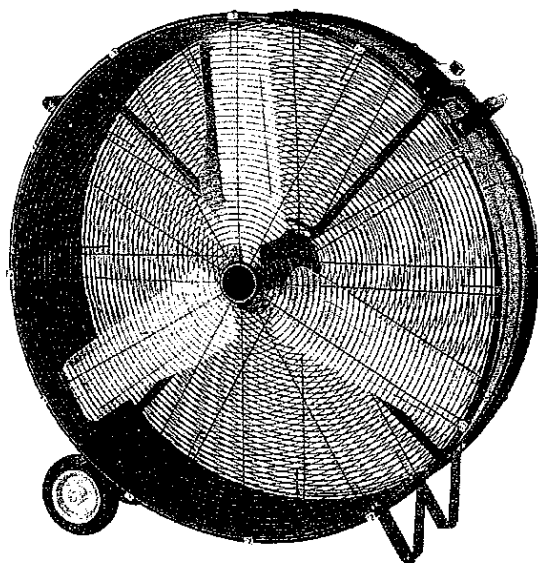


# DIRECT DRIVE DRUM FAN

ITEM NO. 109647



## OPERATORS MANUAL

### READ AND SAVE THESE INSTRUCTIONS

**CAUTION:** Read and follow all instructions before operating fan. Do not use fan if an part is damaged or missing.

**WARNING:** To reduce the risk of fire and electrical shock, do not expose to water or rain. To reduce the risk of electrical shock, do not use this fan with any solid state speed control device. This fan has a 3-prong grounded plug and must be insert into a grounded outlet for safe operation and to reduce the risk of electrical shock.

#### Rules for Safe Operation

1. Never insert fingers or any other objects through the grill guard when fan is in operation.
2. Unplug the fan when moving from one location to another.
3. Unplug the fan when moving guards for cleaning.
4. Be sure the fan is on a stable, flat surface when in operation.
5. DO NOT use fan n windows. Rain and moisture may create electrical hazard.

**CAUTION:** Do not alter the Fan's assembly.

**WARNING:** Be sure FRONT and REAR GUARD screws are completely screwed down in locking position before operation.

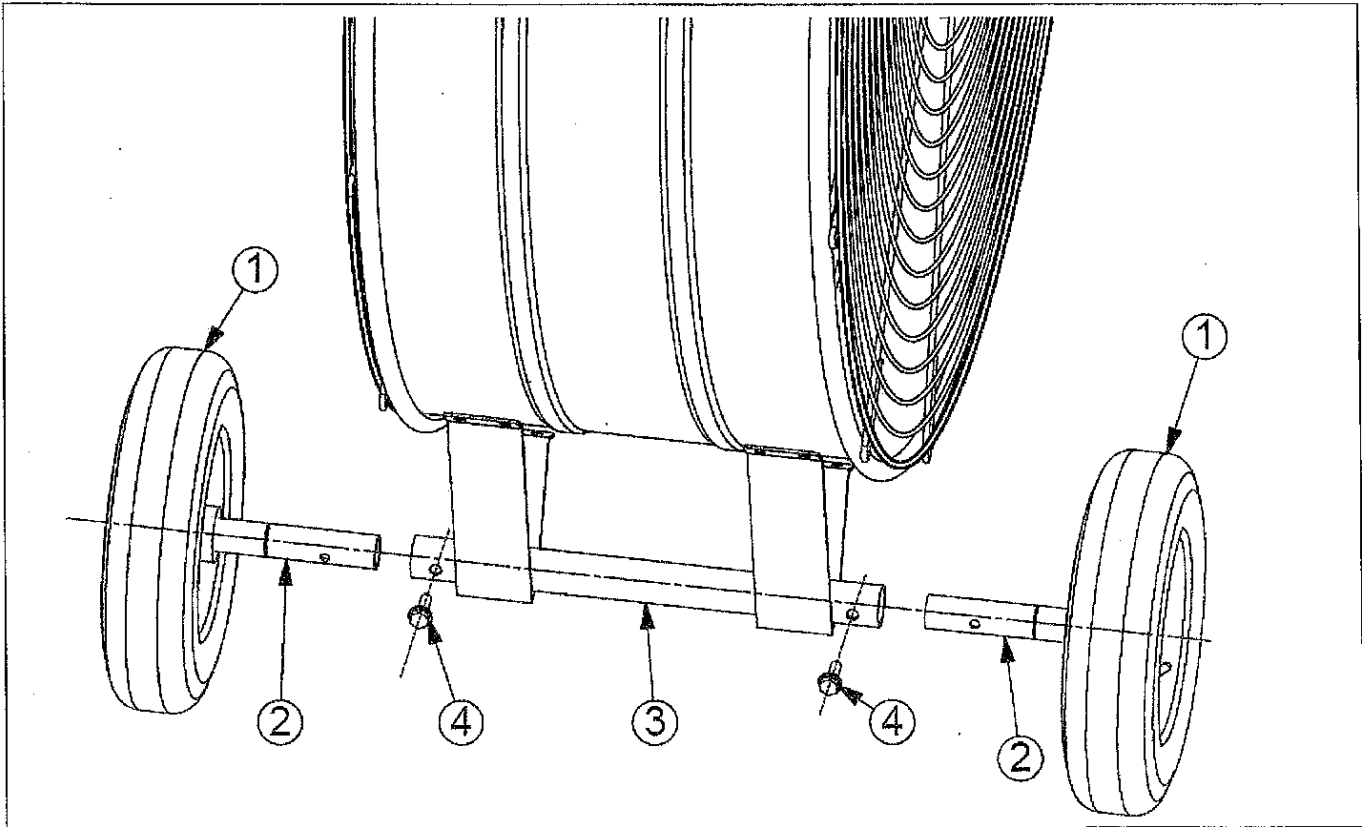
If the supply cord is damaged, it must be replaced by a qualified repair technician or electrician in order avoid hazard and not void warranty.

UL# E302275

Instruction continued on reverse side.

## WHEELS ASSEMBLY INSTRUCTIONS (see diagram below)

1. Slide the two wheels with wheel shaft ① & ② into the wheel shaft on the support ③.
2. Tighten the screws ④ to firm the wheel shaft ②.



## OPERATING INSTRUCTIONS

Speed control. *Switch to Low or High speeds for respective air velocity.*

It is normal for the motor to feel warm to touch after continuous operation. This fan features a thermostat that will automatically shut off should it overheat for any reason, if this happens, immediately unplug the fan from the outlet.

## CLEARING & MAINTENANCE

**WARNING:** Unplug from electrical supply source before cleaning. After servicing, any safety device (including grills and blades) must be reinstalled or remounted previously installed. Use soft damp cloth then wipe with a dry cloth. Do not use harmful cleaners. Do not bend the blade. The motor bearings are permanently sealed and do not require additional lubrication. The guard must be clean kept to allow for proper air flow and motor cooling. This motor is not designed to operate outdoor, in harsh or high humidity application. The fan should be serviced every 200 operating hours and a maintenance log must be maintained to qualify for warranty period.

## WARRANTY

Every new fan is covered by warranty to be free from defects in materials and workmanship, to the extent that, within one year from the date of purchasing or within 18 months of the date manufacturing the fan will either be repaired or replaced at our discretion. This warranty applies to the original purchase-user only. The warranty is null and void in case of abuse, accident, alteration, neglect in operation and maintenance not in accordance with the instructions. The warranty does not include any labor or transportation cost incidental to the removal and re-installation of the unit. No warranty claims will be honored unless prior authorization is obtained from manufacturer. Please call Farmtek at 1-800-327-6835.