

LINK WI-R & WI-T

*Wireless audio receiver -
Wireless audio transmitter*



USER MANUAL / MANUAL DE USUARIO

PLEASE READ THE INSTRUCTIONS CAREFULLY BEFORE USE
POR FAVOR LEA LAS INSTRUCCIONES ANTES DE USAR



1. OVERVIEW

Link WI-R

Wireless audio receiver

Link WI-R is a wireless audio receiver ideal to simplify audio installations, especially in situations where the environment or the distances to cover make wiring very difficult. Equipped with two TRS-1/4" connectors, LINK WI-R works with a frequency of 2.4GHz and has an operational range of up to 30 meters in open spaces. A transmitter of the series can transmit to one or several receivers, optimizing resources and time. Reliable & simple to install and configure, AUDIOLAB's LINK series offers an ideal alternative to work without ties.

- Crosstalk: >90dB @ 1kHz
- THD: <0,3% @ 1kHz
- Latency: 18ms

Connectors

- Input:
- 2 1/4" TRS/Plug

Physical

- Weight: 0.34 Kg. / 0.75 Lbs.
- Dimensions: 117x75x37 mm. / 4.6x2.9x1.4 in.

Specifications

Performance

- Maximum operational distance: 30 meters
- Operating band: ISM 2.4GHz (free license)
- One transmitter work with one or several receivers
- GFSK digital modulation / demodulation
- External antenna recommended to increase transmit distance
- Intelligent frequency hopping to avoid interference and ensure the channel quality
- Automatic mute function to prevent bad quality or high error code rate

Characteristics

- Frequency: 2404-2476 MHz
- Channels: 25
- Modulation / demodulation GFSK
- Receiver Sensitivity: -84dBm (min)
- Output level: +3dBu (max)
- Bandwidth: >=-1,8MHz
- Frequency response: 20Hz-20KHz
- Signal-to-noise ratio: >80dB
- Dynamic range: >90dB @ 1 kHz

Link WI-T

Wireless audio transmitter

Link WI-T is a wireless audio transmitter ideal to simplify audio installations, especially in situations where the environment or the distances to cover make wiring very difficult. Equipped with two XLR connectors and two TRS-1/4" connectors, LINK WI-T works with a frequency of 2.4GHz and has an operational range of up to 30 meters in open spaces. A transmitter of the series can transmit to one or several receivers, optimizing resources and time. Reliable & simple to install and configure, TECSHOW'S LINK series offers an ideal alternative to work without ties.

- THD: <0,3% @ 1kHz
- Latency: 18ms

Connectors

- Input:
- 2 XLR-3
- 2 1/4" TRS/Plug

Physical

- Weight: 0.47 Kg. / 1 Lbs.
- Dimensions: 125x130x55 mm. / 4.9x5.1x2.1 in.

Specifications

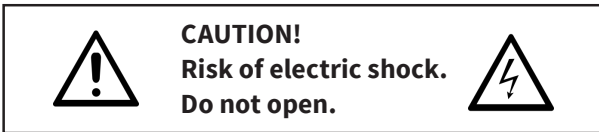
Performance

- Maximum operational distance: 30 meters
- Operating band: ISM 2.4GHz (free license)
- One transmitter work with one or several receivers
- GFSK digital modulation / demodulation
- External antenna recommended to increase transmit distance
- Intelligent frequency hopping to avoid interference and ensure the channel quality
- Automatic mute function to prevent bad quality or high error code rate

Characteristics

- Frequency: 2404-2476 MHz
- Channels: 25
- Modulation / demodulation GFSK
- Transmission power: 6 dBm
- Input level: +5dBu
- Bandwidth: >=1,8MHz
- Frequency response: 20Hz-20KHz
- Signal-to-noise ratio: >80dB
- Dynamic range: >90dB @ 1 kHz
- Crosstalk: >90dB @ 1kHz

2. SAFETY



This symbol, wherever used, alerts you to the presence of un-insulated and dangerous voltages within the product enclosure. There are voltages that may be sufficient to constitute the risk of electric shock or death.



This symbol, wherever used, alerts you to important operating and maintenance instructions.

Protective Ground Terminal



AC mains (Alternating Current)
AC mains (Alternating Current)

ON: Denotes the products is turned on.

OFF: Denotes the product is turned off.

WARNING Describes precautions that should be observed to prevent the possibility of death or injury to the user.

CAUTION Describes precautions that should be observed to prevent damage to the product. Disposing of this product should not be placed in municipal waste but rather in a separate collection.



Warning

Power Supply

Ensure that them a inssource voltage (AC outlet) matches the voltage rating of the product. Failure to do so could result in damage to the product and possibly the user. Unplug the product before electrical storms occur and when unused for long periods of time to reduce the risk of electric shock or fire.

External Connection

Always use proper ready-made insulated mains cabling (power cord). Failure to do so could result in shock/death or fire. If in doubt, seek advice from a registered electrician.

Do Not Remove Any Covers

Within the product are areas where high voltages may present. To reduce the risk of electric shock do not remove any covers unless the AC mains power cord is removed. Covers should be removed by qualified service personnel only. No user serviceable parts inside.

Fuse

To prevent fire and damage to the product, use only the recommended fuse type as indicated in this manual. Do not short-circuit the fuse holder. Before replacing the fuse, make sure that the product is OFF and disconnected from the AC outlet.

Protective Ground

Before turning the unit ON, make sure that it is connected to Ground. This in to prevent the risk of electric shock. Never cut internat or external Ground wires. Like wise, never remove Ground wiring from the Protective Ground Terminal.

Operating Conditions

- Always install in accordance with the manufacturer's instructions.
- To avoid the risk of electric shock and damage, do not subject this product when in close proximity to water.
- Do not install this product near any direct heat source. Do not block areas of ventilations. Failure to do so could result in fire.
- Keep product away from naked flames.

Important Safety Instructions

Read these instructions.

Follow all instructions.

Keep these instructions. Do not discard.

Heed all warnings.

Only use attachments/accessories specified by the manufacturer.

Power Cord and Plug

Do not tamper with the power cord or plug. These are designed for your safety.

Do not remove Ground connections.

If the plug does not fit your AC outlet seek advice from a qualified electrician.

Protect the power cord and plug from any physical stress to avoid risk of electric shock.

Do not place heavy objects on the power cord. This could cause electric or fire.

Cleaning

When required, either blow off dust from the product or use a dry cloth.

Do not use any solvents such as Benzol or Alcohol.

For safety, keep product clean and free from dust.

Servicing

Refer all servicing to qualified service personnel only. Do not perform any servicing other than those instructions contained within the User's Manual.

PORTABLE CART WARNING



Carts and stands - The component should be used only with a cart or stand that is recommended by the manufacturer.

A component and cart combination should be moved with care.

Quick stops, excessive force, and uneven surfaces may cause the combination to overturn.

3. FEATURES

- Operating Band ISM 2.4GHz free band.
- One transmitter with one receiver or multi-receiver.
- GFSK digital modulation/demodulation.
- External antenna can help to increase the transmit distance.
- Intelligent Frequency Hopping can help to avoid interference effectively and ensure the channel quality.
- Automatic mute in bad channel quality or high error code rate.
- More than 30 meters transmit distance in open place.

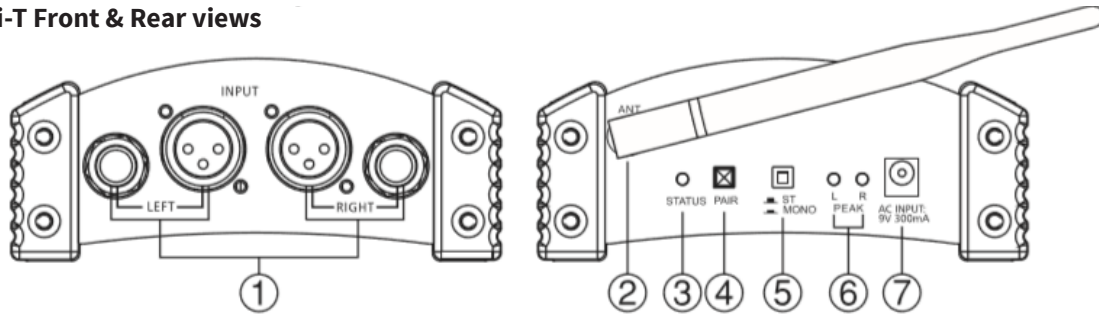
4. USEFUL DATA

Please write your serial number here for future reference.

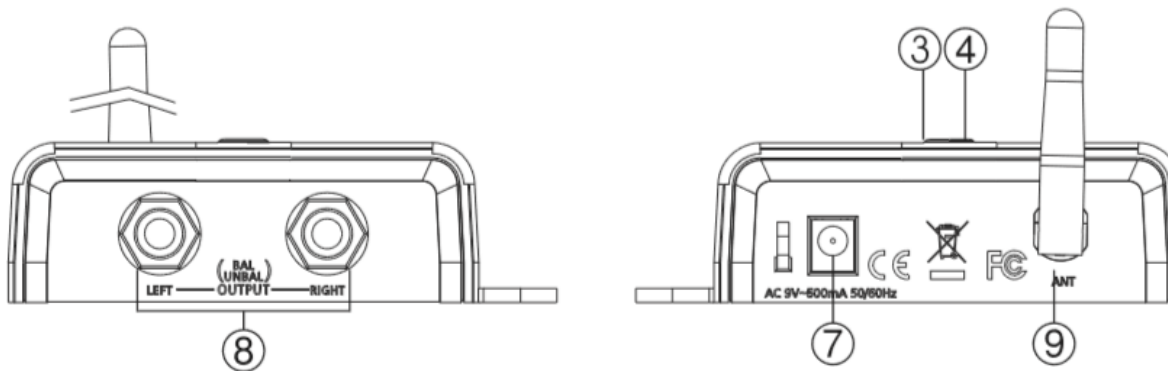
- **Serial Number:**
- **Date of Purchase:**
- **Purchased at:**

5. CONTROL ELEMENTS

Link Wi-T Front & Rear views



Link Wi-R Front & Rear views



1. **Audio input connector:** These jacks can be used to connect the input signal, and with XLR and 1/4" jack.
2. **Antenna for transmitter:** Send the signal by antenna. To receive the signal better, please make sure the antenna is not sheltered.
3. **Status indicator:** *Working mode:* Both of Link Wi-T and Link Wi-R LED light on. *Stand by mode:* The LED indicator of Link Wi-T lighted on and Link Wi-R flash 1s/1s on/off. *Pairing Mode:* Both of Link Wi-T and Link Wi-R LED flash 0.5s/0.5s on/off.
4. **Pair: Pairing key for Link Wi-T & Link Wi-R:**
 - Push down and hold pair switch of Link Wi-T more than 3 seconds to enter into pairing mode, status LED lighted on 1 second then flash 0.5s/0.5s on/off. Then push down and hold pair

- switches of Link Wi-R more than 3 seconds to make Link Wi-R enter its pairing mode, status LED flash 0.5s/0.5s on/off. At the time of pairing, Link Wi-R with short beep sound. If pairing success, a long beep sound will be heard and the LED will be lighted on (To pair successful, please make sure only one Link Wi-T for pairing to avoid interference).
- If pairing fail, Link Wi-T & Wi-R will still keep on pairing mode for 15 seconds. After 15 seconds, they will return Stand by mode and you can pair again by pressing the pairing switch.
 - If pairing success, Link Wi-T & Wi-R can connect automatically after powered on.
5. **Stereo/Mono:** Shift Link Wi-T working mode. When press the key, L input and R input will work in Mono mode, both the signals mix

together and sent to Link Wi-R output. When releases the key, L input and R input will work in Stereo mode and Stereo signal for Wi-R output.

6. **Peak LED:** Clip LED indicators of input signal level. When the LED illuminates, it means that input signal will be clipped.
7. **AC input:** This connection is where you connect

the supplied external AC power supply.

8. **Audio output connector:** Connector for output signal.
9. **Antenna for receiver:** Receive signal from the transmitter. To receive the signal better, please make sure the antenna was not sheltered.

6. GUARANTEE

Ampro guarantee the normal operation of the product against any defect of manufacture and/or vice of material, by the term of (12) months, counted as of the date of purchase on the part of the user, committing itself to repair or to change, to its election, without position some, any piece or component that will fail in normal conditions of use within the mentioned period.

This guarantee is valid if the original buyer will have to present/display this certificate properly sealed and signed by the seller house, accompanied by the corresponding invoice of purchase where it consisted the model and serial number of the acquired equipment.

The guarantee does not cover:

- Damages caused by the illegal use of the product, repair and/or nonauthorized modification conducted by people by Ampro.
- Damaged caused by the connection of the equipment to other equipment different from the specified ones in the manual of use, or by bad connection to these last ones.
- Damages caused by electrical storms, blows and/or incorrect transport.
- Damages caused by excesses or falls of tension in the network of by connection to networks with a tension different from the required one by the unit.
- Damaged caused by the presence of sand, acid

of batteries, water, or any strange element inside the equipment.

- Deteriorations produced by the course of the time, use and/or normal wear of the unit.
- Alteration or absence of the serial number of factory of the equipment.

The repairs could only be carried out by the authorized technical service by Ampro, that will inform about the term and other details into the repairs to take place according to this guarantee.

Ampro, will repair this unit in counted a term non-greater to 30 days as of date of entrance of the unit to the Technical Service. In those cases in that due to the particularity of the spare part, outside necessary their import, the repair time and the viability of the same one will be subject to the effective norms of the import of parts, in which case one will inquire to the used about the term and possibility into repair.

With the object of its correct operation, and of the validity of this one guarantee, this product will have to be installed and to be used according to the instructions that are detailed in the manual associate or the package of the product.

This unit will be able to appear for its repair, next to the invoice of purchase (or any other proof where the date of purchase consists), to its authorized distributor Ampro or and authorized technical center

on watch by Ampro.

Exclusion of damages:

The responsibility of Ampro by any defective product is limited to the repair or the replacement. If we chose to replace the product, the replacement can be a reconditioned unit. Ampro will not be responsible by the damaged based on the lost, inconvenience, loss of use, benefits, lost savings, by the damage to other equipment of other articles in the use site, or by another damage if he is fortuitous, consequent or of another type, although Ampro has been noticed of the possibility of such damages.

Some states do not allow to the exclusion or the limitations to the fortuitous or consequent damages, so the aforesaid limitations can not be applied to you. This guarantee gives specific legal rights, you can also have other right that varies of state to state.

Design and product specifications are subject to change without prior notice.

1. DESCRIPCIÓN

Link WI-R

Receptor de audio inalámbrico

Link WI-R es un receptor de audio inalámbrico ideal para simplificar las instalaciones de audio, sobre todo en situaciones donde las distancias a cubrir, o el diseño del recinto hacen muy difícil el cableado. Equipado con dos conectores TRS-1/4", LINK WI-R trabaja con una frecuencia de 2.4GHz y tiene un alcance de hasta 30 metros en espacios abiertos. Un transmisor de la serie puede transmitirle a uno o varios receptores, optimizando así recursos y tiempo. Confiable, simple de instalar y configurar, la serie LINK de TECSHOW ofrece una alternativa ideal para trabajar sin ataduras.

- Relación señal-a-ruido: >80dB
- Rango dinámico: >90dB @ 1 kHz
- Diafonía: >90dB @ 1kHz
- Distorsión por intermodulación: <0,3% @ 1kHz
- Latencia: 18ms

Conectores

- Entrada:
- 2 1/4" TRS/Plug

Físico

- Peso: 0,34 Kg. / 0,75 Lbs.
- Dimensiones: 117x75x37 mm. / 4,6x2,9x1,4 pulg.

Especificaciones

Desempeño

- Distancia máxima de operación: 30 metros
- Banda de operación: ISM 2.4GHz (sin licencia)
- Un transmisor trabaja con uno o más receptores
- Modulación / demodulación digital GFSK
- Antena externa recomendada para incrementar la distancia de transmisión
- Hopping de frecuencia inteligente para evitar interferencias
- Muteo automático ante mala calidad de transmisión o ante errores

Características

- Frecuencia: 2404-2476 MHz
- Canales: 25
- Modulación / demodulación GFSK
- Sensibilidad de recepción: -84dBm (min)
- Nivel de salida: +5dBu (max)
- Ancho de banda: >=-1,8MHz
- Respuesta en frecuencia: 20Hz-20KHz

Link WI-T

Transmisor de audio inalámbrico

Link WI-T es un transmisor de audio inalámbrico ideal para simplificar las instalaciones de audio, sobre todo en situaciones donde las distancias a cubrir, o el diseño del recinto hacen muy difícil el cableado. Equipado con dos conectores XLR y dos conectores TRS-1/4", LINK WI-T trabaja con una frecuencia de 2.4GHz y tiene un alcance de hasta 30 metros en espacios abiertos. Un transmisor de la serie puede transmitirle a uno o varios receptores, optimizando así recursos y tiempo. Confiable, simple de instalar y configurar, la serie LINK de TECSHOW ofrece una alternativa ideal para trabajar sin ataduras.

- Diafonía: >90dB @ 1kHz
- Distorsión por intermodulación: <0,3% @ 1kHz
- Latencia: 18ms

Conectores

- Entrada:
- 2 XLR-3
- 2 1/4" TRS/Plug

Físico

- Peso: 0,47 Kg. / 1 Lbs.
- Dimensiones: 125x130x55 mm. / 4,9x5,1x2,1 pulg.

Especificaciones

Desempeño

- Distancia máxima de operación: 30 metros
- Banda de operación: ISM 2.4GHz (sin licencia)
- Un transmisor trabaja con uno o más receptores
- Modulación / demodulación digital GFSK
- Antena externa recomendada para incrementar la distancia de transmisión
- Hopping de frecuencia inteligente para evitar interferencias
- Muteo automático ante mala calidad de transmisión o ante errores

Características

- Frecuencia: 2404-2476 MHz
- Canales: 25
- Modulación / demodulación GFSK
- Potencia de transmisión: 6 dBm
- Nivel de entrada: +5dBu
- Ancho de banda: >=-1,8MHz
- Respuesta en frecuencia: 20Hz-20KHz
- Relación señal-a-ruido: >80dB
- Rango dinámico: >90dB @ 1 kHz

2. INSTRUCCIONES DE SEGURIDAD



Este símbolo, siempre que aparezca, advierte al usuario de la presencia de voltaje no aislado y peligroso en el interior de la unidad, con nivel suficiente para constituir un riesgo de descarga eléctrica o muerte.



Este símbolo, siempre que aparezca, advierte al usuario sobre instrucciones importantes de funcionamiento y mantenimiento.

Terminal a tierra de protección.



Corriente alterna.

Corriente alterna.

ON: Equipo encendido.

OFF: Equipo apagado.

ADVERTENCIA: Describe las precauciones que deben observarse para prevenir lesiones o incluso la muerte.

PRECAUCIÓN: El dispositivo no se puede eliminar en un contenedor municipal común. Procure la recogida selectiva del producto según las reglamentaciones locales correspondientes.



Advertencia

Suministro eléctrico

Verifique que el voltaje utilizado coincida con el requerido por el producto, antes de encenderlo. No seguir estas instrucciones puede resultar en descarga eléctrica, riesgo de muerte o incendio. Desconecte el equipo durante tormentas eléctricas o si no lo va a utilizar durante periodos largos de tiempo.

Conexión externa

Utilice un cable de suministro eléctrico aislado adecuadamente. No seguir estas instrucciones puede resultar en descarga eléctrica, riesgo de muerte o incendio. Para mayor información, póngase en contacto con un electricista certificado.

No abra el equipo

La unidad cuenta con zonas de alto voltaje en su interior. Para reducir el riesgo de descarga eléctrica, desconecte el equipo del suministro eléctrico antes de abrirlo. Solo personal calificado debe abrir la unidad.

En el interior del equipo no hay piezas que puedan ser reparadas por el usuario.

Fusible

Utilice únicamente el fusible indicado en el presente manual para evitar incendios o daños en la unidad. No haga cortocircuitos con el portafusible. Asegúrese de apagar y desconectar el equipo antes de sustituir el fusible.

Conexión a tierra

Antes de encender el equipo, verifique que cuente con conexión a tierra para prevenir el riesgo de descarga eléctrica. Nunca elimine o deshabilite la conexión a tierra del aparato o del cable de suministro eléctrico.

Condiciones de funcionamiento

- Procure seguir las instrucciones del distribuidor para realizar la instalación.
- Para evitar el riesgo de descarga eléctrica, no exponga el equipo a la lluvia, humedad excesiva o líquidos.
- No instale el equipo cerca de fuentes de agua o fuentes directas de calor.
- Para evitar el riesgo de incendio, no obstruya las ranuras de ventilación.
- No coloque sobre el equipo ninguna fuente de

llama viva, como velas encendidas.

Advertencias de Seguridad

Lea atentamente el presente manual.
Siga todas las instrucciones.
Conserve el manual para futuras referencias.
Respete todas las advertencias.
Utilice solamente los accesorios especificados por el distribuidor.

Cable de alimentación y enchufe

No altere el enchufe ni el cable de suministro eléctrico. No elimine la conexión a tierra.
Si el enchufe suministrado no encaja en la toma, póngase en contacto con un electricista para sustituir la toma antigua.
Para reducir el riesgo de descarga eléctrica, proteja el cable y el enchufe de pisotones o pinzamientos, en particular cerca de enchufes y en la zona en que sale del equipo.
No coloque objetos pesados sobre el cable de suministro eléctrico.

Limpieza

Cuando sea necesario, use una aspiradora para absorber el polvo o utilice un paño seco.
No utilice solventes como benceno o alcohol.
Por su seguridad mantenga el equipo limpio y libre de polvo.

Mantenimiento

Póngase en contacto con un profesional calificado en caso de necesitar mantenimiento.
Para reducir el riesgo de descarga eléctrica, no realice ningún tipo de mantenimiento que no figure en el presente manual.

TRASLADOS



Utilice únicamente la carretilla o soporte recomendados por su distribuidor para trasladar el equipo. Desplace la carretilla con cuidado. Las frenadas bruscas, la fuerza excesiva y las superficies desparejas pueden causar vuelcos.

3. CARACTERÍSTICAS

- Banda de operación ISM 2.4GHz.
- Un transmisor emparejado con un receptor o múltiples receptores.
- Modulación/demodulación digital GFSK.
- Antena externa que incrementa el alcance de transmisión.
- Salto de frecuencia inteligente que evita interferencias y garantiza la calidad del canal.
- Silenciamiento automático en canales con calidad pobre o con alto índice de códigos de error.
- Más de 30 metros de alcance de transmisión en espacios abiertos.

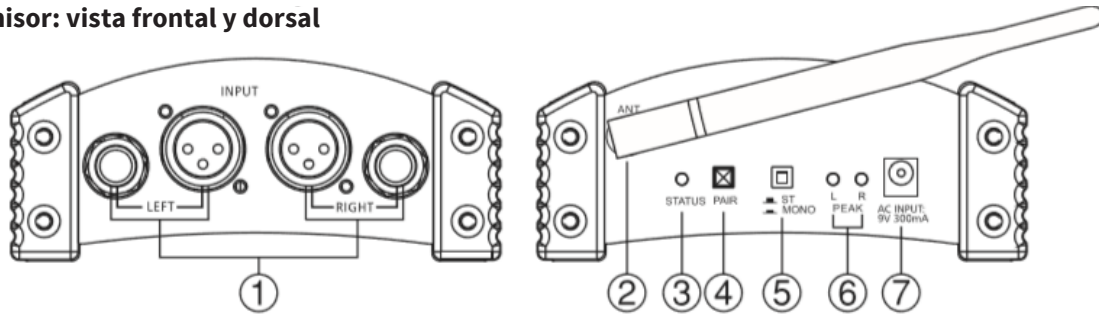
4. INFORMACIÓN ÚTIL

Por favor escriba su número de serie aquí para referencia futura.

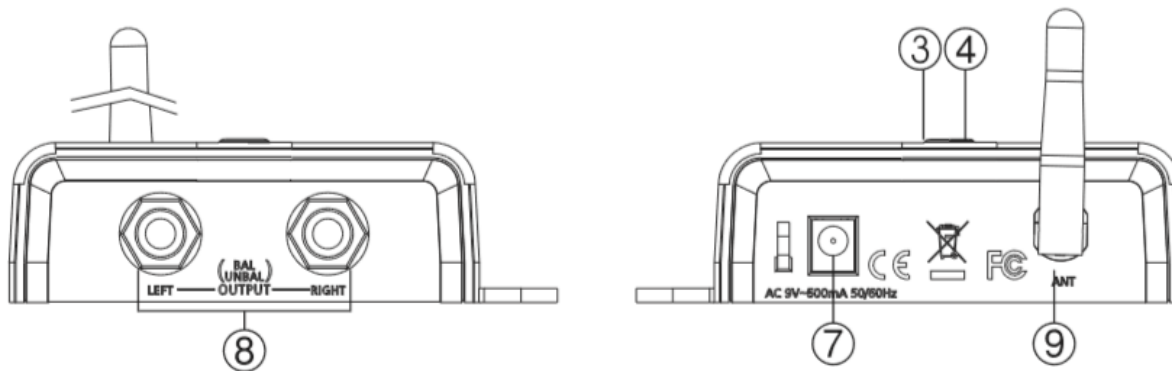
- **Número de serie:**
- **Fecha de compra:**
- **Lugar de compra:**

5. EL PRODUCTO

Transmisor: vista frontal y dorsal



Receptor: vista frontal y dorsal



1. Conector de entrada de audio: Conectores XLR con Jack de 1/4". Utilícelas para conectar la señal de entrada.
2. Antena del transmisor La señal de transmisión se envía por antena. Para una recepción de señal óptima, procure no obstruir ni desconectar la antena.
3. Indicador de status (estado): Modo de funcionamiento: Indicador encendido en el transmisor y receptor. Modo de espera: Indicador encendido en el transmisor y titilante en el receptor. Modo de emparejamiento: Indicador titilante en el transmisor y en el receptor.
4. PAIR: Tecla de emparejamiento del transmisor y del receptor.
- Mantenga presionado el botón PAIR en el LINK WI-T por más de 3 segundos para ingresar al

- modo de emparejamiento. El indicador de status se encenderá por un segundo y luego comenzará a titilar. A continuación, presione y mantenga el botón PAIR en el LINK WI-R por más de 3 segundos, hasta que comience a titilar el indicador de status. En este punto, el LINK WI-R emitirá un breve pitido. Si el emparejamiento se realizó correctamente, se emitirá un pitido extenso y se encenderá el LED indicador de status. Utilice únicamente un LINK WI-T para garantizar un emparejamiento exitoso y sin interferencias.
- Si el emparejamiento falla, los equipos LINK WI-R y LINK WI-T permanecerán en el modo de emparejamiento por 15 segundos más. Una vez transcurrido ese tiempo, regresarán al modo de espera, y el usuario podrá comenzar el proceso

- de emparejamiento nuevamente.
 - Si el emparejamiento se realiza correctamente, los equipos LINK WI-R y LINK WI-T se conectarán automáticamente una vez encendidos.
5. STEREO/MONO Seleccione el modo de funcionamiento del LINK WI-R. Presione el botón para que las entradas derecha e izquierda funcionen en modo mono, mezclando ambas señales y enviándolas a la salida del LINK WI-R. Cuando el botón no está presionado, el equipo funciona en modo estéreo.
 6. LED PEAK: El indicador LED se enciende cuando el nivel de señal de entrada esté distorsionada.
 7. AC INPUT (entrada de alimentación): Conector de la fuente de alimentación externa CA.
 8. Conector de salida de audio: Conectores XLR con Jack de 1/4". Utilícelas para conectar la señal de salida.
 9. Antena del receptor: La antena recibe la señal del transmisor. Para una recepción de señal óptima, procure no obstruir ni desconectar la antena.

6. GARANTÍA

AMPRO garantiza el buen funcionamiento de sus productos contra cualquier defecto de fabricación o vicio de materiales por un plazo de 12 meses, desde la fecha de compra por parte del usuario y se compromete a reparar o cambiar, a su elección, sin cargo cualquier pieza o componente que fallare en condiciones normales de uso dentro del periodo mencionado.

La garantía solo será válida si el comprador original presenta este certificado debidamente sellado y firmado por la casa vendedora, acompañado por la factura de compra correspondiente, donde figura el modelo y número de serie del producto adquirido.

La garantía no cubre:

- Los daños ocasionados por el uso indebido del producto, reparación y/o modificación no autorizada por el personal de AMPRO.
- Los daños ocasionados por la conexión del equipo a otros equipos diferentes de los especificados en el manual del usuario o bien por la mala conexión a estos últimos.
- Los daños ocasionados por tormentas eléctricas, golpes y/o traslados inadecuados.
- Los daños ocasionados por el exceso de cambios de tensión en la red o por la conexión a

redes con un rango de voltaje de entrada diferente al requerido por el equipo.

- Los daños ocasionados por la presencia de arena, ácido de baterías, agua o cualquier elemento ajeno en el interior del equipo.
- Los daños ocasionados por el paso del tiempo, uso y/o desgaste natural del equipo.
- La alteración o ausencia del número de serie del equipo.

Las reparaciones solo pueden ser llevadas a cabo por el servicio técnico autorizado por AMPRO, el cual informará al usuario del plazo y los detalles de reparación a efectuarse de acuerdo con esta garantía.

AMPRO realizará la reparación del equipo en un plazo no mayor a 30 días desde la fecha de recibido el equipo en el servicio técnico. En aquellos casos en los que, debido a la particularidad del repuesto, fuera necesaria su importación, la viabilidad y el tiempo de la reparación estarán sujetos a las normas de importación locales, en cuyo caso se le informará al usuario acerca del plazo y de la posibilidad de reparación.

A efectos de su correcto funcionamiento y de la validez de esta garantía, el equipo deberá ser insta-

lado y utilizado de acuerdo con las instrucciones detalladas en el presente manual.

El usuario podrá presentar este producto para su reparación, junto con la factura de compra (o cualquier otro comprobante donde se detalle la fecha de compra), a su distribuidor autorizado a un centro de servicio técnico autorizado por AMPRO.

Exclusión de daños:

La responsabilidad de AMPRO por cualquier producto defectuoso se limita a la reparación o al reemplazo (a elección de AMPRO). Si AMPRO decide sustituir el producto, el reemplazo puede ser un equipo reacondicionado. AMPRO no será responsable por los daños ocasionados por la inconveniencia, pérdida de uso, beneficios, ahorros perdidos, daños a otros equipos en el lugar de uso o por ningún otro daño que sea fortuito, consecuente o de otro tipo aunque AMPRO haya sido notificado de la posibilidad de tales daños.

Algunos países o ciudades no permiten la exclusión o la restricción de los daños fortuitos o consecuentes, por lo cual la limitación previamente mencionada puede no aplicarse a su caso personal.

Esta garantía le da derechos legales específicos. El usuario puede también contar con otros derechos que varían de acuerdo con su país o ciudad.

Observación: El proveedor no asumirá responsabilidad por los errores u omisiones del manual. La información de este manual está sujeta a cambios sin previo aviso.



FOR MORE INFO ON THIS PRODUCT PLEASE CHECK TECSHOW.AMPROWEB.COM /
PARA MAS INFORMACION SOBRE ESTE PRODUCTO VISITE TECSHOW.AMPROWEB.COM



facebook.com/amprogroup



youtube.com/amprogroup