



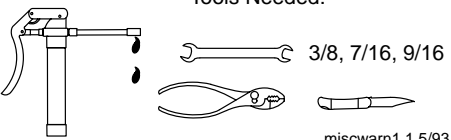
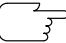
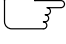


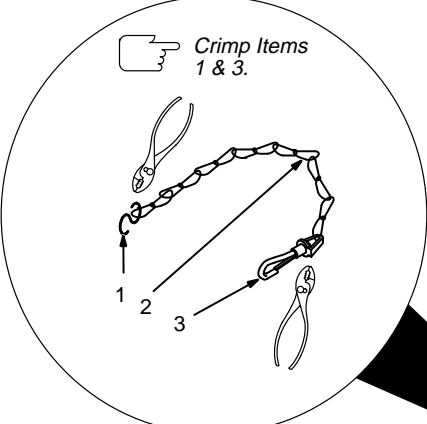
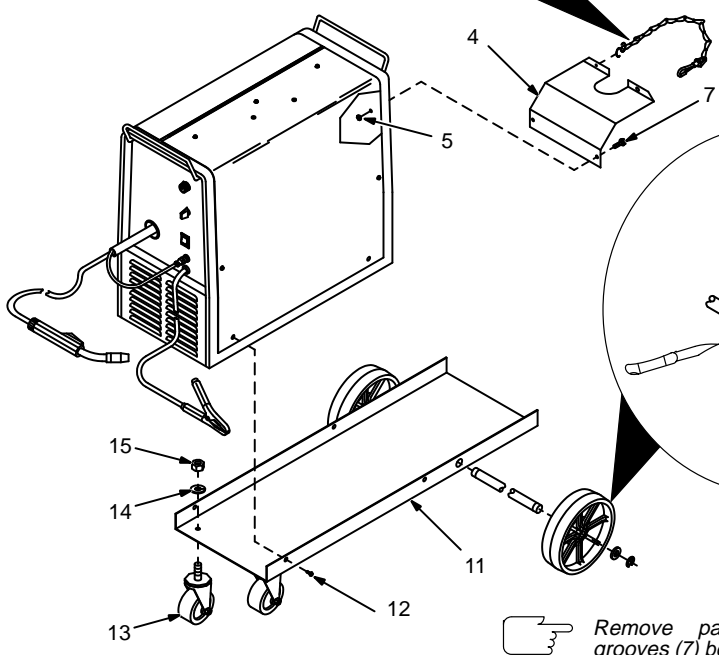
Use above FORM number when ordering extra manuals.

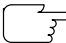
Running Gear/Cylinder Rack (042 700), RGCR-1A (042 745),  
And MW150RG (042 804)

 <b>WARNING</b>	
	<p><b>ELECTRIC SHOCK can kill.</b></p> <ul style="list-style-type: none"> <li>Do not touch live electrical parts.</li> <li>Turn Off welding power source and input disconnect device.</li> <li>Disconnect input power conductors from deenergized supply BEFORE moving welding power source.</li> </ul>
	<p><b>FALLING EQUIPMENT can cause injury and damage.</b></p> <ul style="list-style-type: none"> <li>Use proper equipment to lift unit.</li> <li>Use lifting forks long enough to extend out opposite side of base.</li> <li>Do not put any body part under unit while lifting.</li> </ul>
	<p><b>CYLINDERS can explode if damaged.</b></p> <ul style="list-style-type: none"> <li>Keep cylinders away from welding and other electrical circuits.</li> <li>Never touch cylinder with welding electrode.</li> <li>Always secure cylinder to running gear, wall, or other stationary support.</li> </ul>
<p>Tools Needed:</p>  <p style="text-align: right; font-size: small;">miscwarn1.1 5/93</p>	

 Remove and discard rear handle of unit before installing bottle retainer (4).

 Crimp Items 1 & 3.

 Remove paint from axle grooves (7) before installing retaining rings (10).

Item No.	Part No.	Description (Qty)
1	602 389	S-Hook (1)
2	148 188	Chain (1)
3	602 384	Snap (1)
4	147 894	Bottle Retainer (1)
5	089 800	Nut, 1/4-20 (2)
6	089 799	Screw, 1/4-20 x 1/2 (2)
7	147 893	Axle (1)
8	090 693	Wheel, 8 in (2)
9	602 250	Washer, 3/4 flat (2)
10	121 614	Retaining Ring (2)
11	148 110	Pan (1)
12	602 154	Screw, 1/4-20 x 1/2 self-forming (4)
13	109 318	Caster (2)
14	602 211	Washer, 5/16 lock (2)
15	604 537	Nut, 5/16-18 (2)

Be sure to provide Model when ordering replacement parts.

ST-149 470-C / ST-800 244

**Figure 1-1. Installing Running Gear/Cylinder Rack**