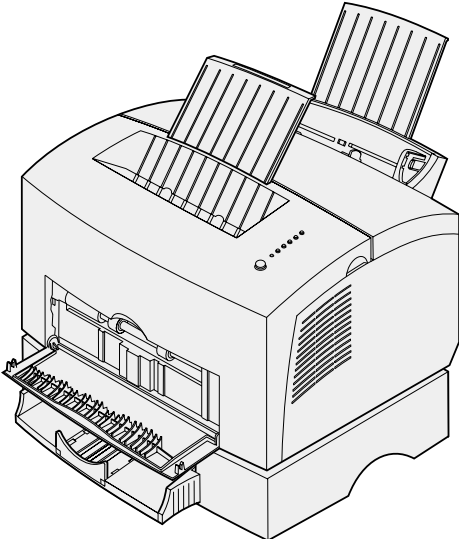




Lexmark E320/E322



- Printing
- Paper handling
- Maintenance
- Troubleshooting
- Administration
- Index

Print as book



Printer overview

Notices

Other resources

Navigation



Change your language

www.lexmark.com

Copyright © 2001 Lexmark International, Inc.
All rights reserved.

