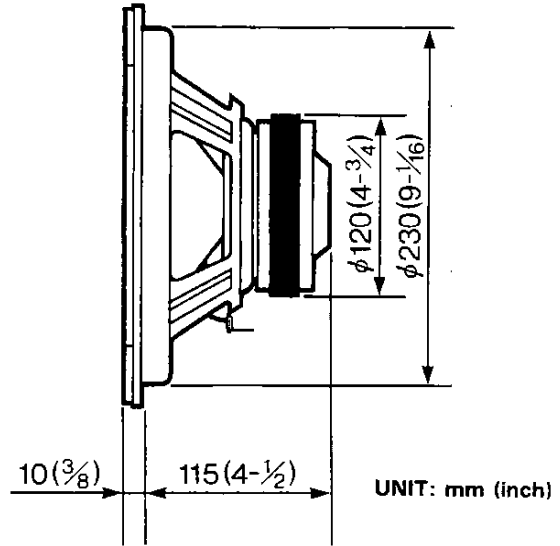
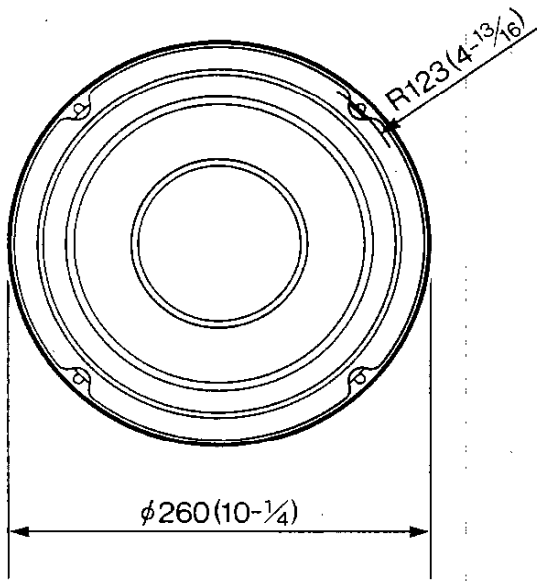


# KFC-W210

## SERVICE MANUAL

©1990-8 PRINTED IN JAPAN  
B51-6130-10(T) 1057

### EXTERNAL VIEW



### SPECIFICATIONS

Speaker	25cm (10 in) Cone Type
	721g (25.4 oz) Magnet
Peak Power	300 Watts
Sensitivity	92 dB/W at 1m
Frequency Response	30Hz~3,000Hz
Resonant Frequency (Fo)	45 Hz
Impedance	4 Ohms
Weight Per Speaker	2.8 kg (6.17 lb)/Pc.

(KENWOOD follows a policy of continuous advancements in development. For this reason specifications may be changed without notice.)

### PARTS LIST

★ New parts  
Parts without **Parts No.** are not supplied.  
Les articles non mentionnés dans le **Parts No.** ne sont pas fournis.  
Teile ohne **Parts No.** werden nicht geliefert.

Ref No.	New Parts	Parts No.	Description
	★	N99-1143-08	SCREW SET
	★	T10-0464-08	SPEAKER