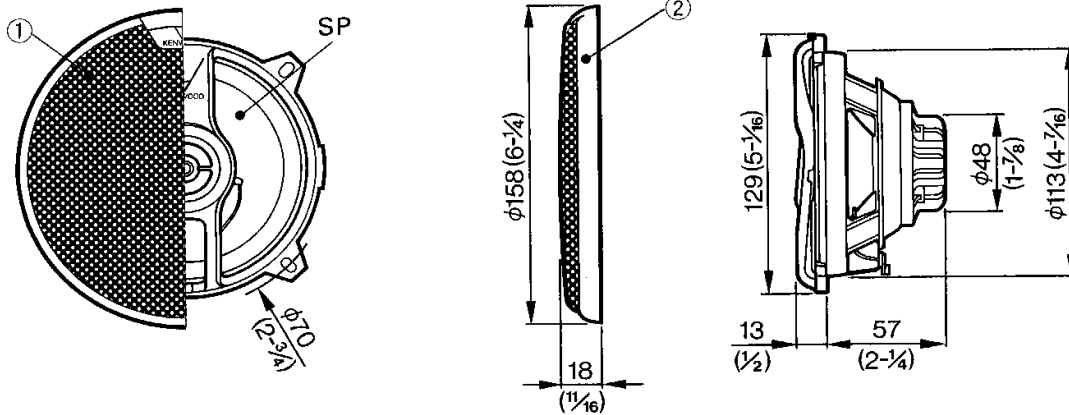


DOOR/REAR DECK SPEAKER  
**KFC-HQR13**  
 SERVICE MANUAL

**KENWOOD**

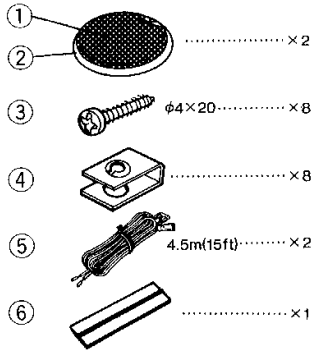
©1996-1 PRINTED IN JAPAN  
 B51-6958-00 (MC) 1342

**EXTERNAL VIEW**



UNIT: mm (inch)

**PARTS INCLUDED**



**PARTS LIST**

★ New Parts  
 Parts without **Parts No.** are not supplied.  
 Les articles non mentionnés dans le **Parts No.** ne sont pas fournis.  
 Teile ohne **Parts No.** werden nicht geliefert.

Ref No.	New Parts	Parts No.	Description
①	★	F09-1132-08	Protector
②	★	B06-0987-08	Grille
③, ④		N99-1088-18	Screw set
⑤	★	E30-5292-08	Speaker cord
⑥		J69-0111-08	Adhesive tape
SP	★	T15-0302-08	Speaker

**SPECIFICATIONS**

Speakers	
Woofer	130mm (5in) Injection P.P. Cone Type
Tweeter	23g X 2 (0.82oz X 2) Neodymium Magnet
Peak Power	30mm (1-3/16in) P.P.T.A. Balanced Dome Type
Frequency Response	100 Watts
Sensitivity	40Hz~30,000Hz
Impedance	91dB/W at 1m
Net Weight With Grille	4 Ohms
	720g (1.6lb)/Pair

Note:  
**KENWOOD** follows a policy continuous advancements in development.  
 For this reason specifications may be changed without notice.