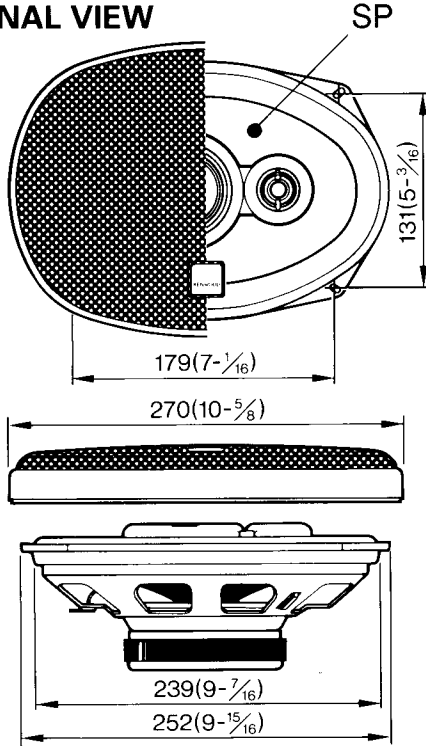


KFC-HQ710

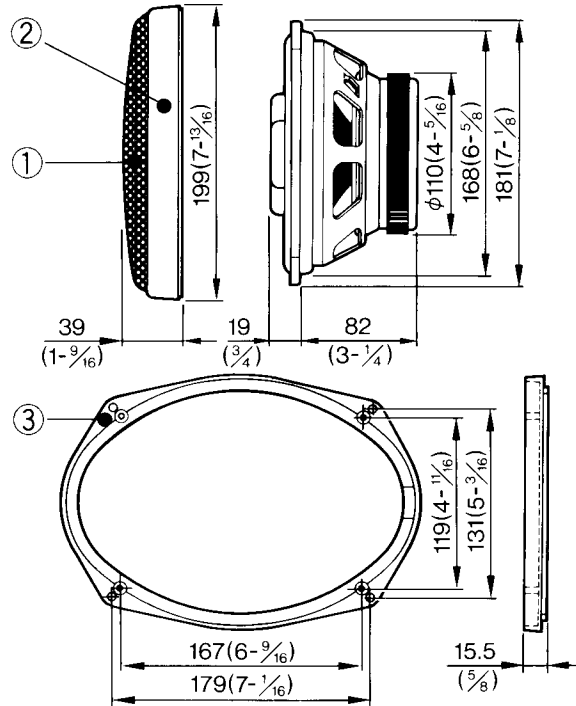
SERVICE MANUAL

© 1994-12 PRINTED IN JAPAN
B51-6788-00(N)1308

EXTERNAL VIEW



Unit : mm (inch)



PARTS INCLUDED

- ① × 2
- ② × 2
- ③ × 2
- ④ × 8
- ⑤ × 8
- ⑥ M4 × 12 × 8
- ⑦ φ4 × 20 × 8
- ⑧ φ4 × 40 × 8
- ⑨ × 8
- ⑩ 4.5m(15ft) × 2
- ⑪ × 1

PARTS LIST

★ New Parts
Parts without **Parts No.** are not supplied.
Les articles non mentionnés dans le **Parts No.** ne sont pas fournis.
Teile ohne **Parts No.** werden nicht geliefert.

Ref No.	New Parts	Parts No.	Description
①	★	F09-1108-08	Protector
②	★	B06-0911-08	Grille
③	★	J30-0877-08	Spacer
④	★	J31-0335-08	Collar
⑤ ~ ⑨	★	N99-1284-08	Screw set
⑩	★	E30-5252-08	Speaker cord
⑪	★	J69-0103-08	Viscous tape
SP	★	T15-0281-08	Speaker

SPECIFICATIONS

- Speakers
- Woofers 181 × 252mm (7 × 10in) Injection P.P. Cone Type
 - 510g (18oz) Magnet
 - Midrange 70mm (2-3/4in) Water Resistant Cone Type
 - Tweeter 25mm (1in) P.P.T.A. Balanced Dome Type
 - Peak Power 200Watts
 - Frequency Response 25Hz ~ 30,000Hz
 - Sensitivity 93dB/W at 1m
 - Impedance 4 Ohms
 - Net Weight With Grille 4,330g (9.5lb)/Pair

Note:
KENWOOD follows a policy continuous advancements in development.
For this reason specifications may be changed without notice.

FREQUENCY RESPONSE

