

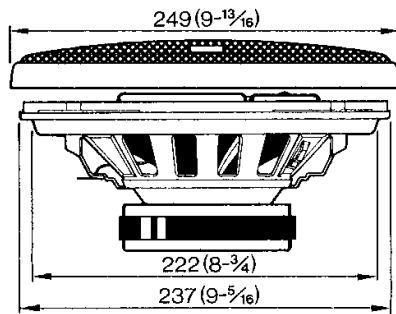
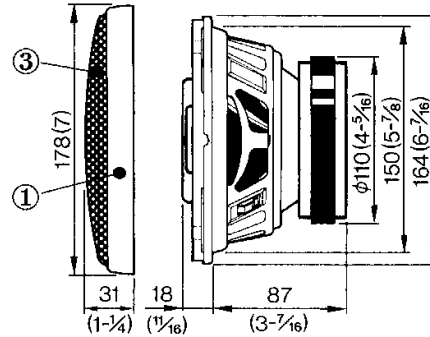
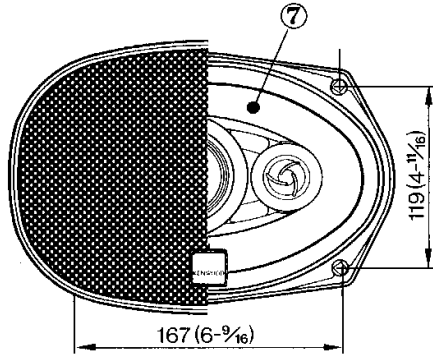
DOOR/REAR DECK SPEAKER
KFC-HQ691
 SERVICE MANUAL

KENWOOD

© 1995-11 PRINTED IN JAPAN
 B51-6921-00(N)1342

EXTERNAL VIEW

UNIT : mm (inch)



PARTS INCLUDED

- ③ X 2 ⑥ φ4 X 40 X 8
- ① X 2 ⑥ M4 X 70 X 8 ⑥ φ4 X 8
- ⑥ M4 X 8 ② 4.5m (15ft) X 2
- ⑥ M4 X 8 ⑤ X 1
- ⑥ φ4 X 8

SPECIFICATIONS

- Speakers
- Woofer 153 X 229mm (6 X 9in) Injection P.P.Cone Type
510g (18oz) Magnet
 - Midrange 70mm (2-3/4in) Resin-Coated Cone Type
 - Tweeter 25mm (1in) P.I.Film Balanced Dome Type
 - Peak Power 200Watts
 - Frequency Response 28Hz ~ 30,000Hz
 - Sensitivity 92dB/W at 1m
 - Impedance 4 Ohms
 - Net Weight With Grille 5,120g (11.3lb)/Pair

Note: **KENWOOD** follows a policy of continuous advancements in development. For this reason specifications may be changed without notice.

PARTS LIST

* New parts

Parts without **Parts No.** are not supplied.

Ref No.	New parts	Parts No.	Description
①	*	B06-0974-08	GRILLE
②		E30-5116-08	CORD SET
③	*	F09-1124-08	PROTECTOR
⑤		J69-0103-08	VISCOUS TAPE
⑥		N99-1220-08	SCREW SET
⑦	*	T15-0314-08	SPEAKER