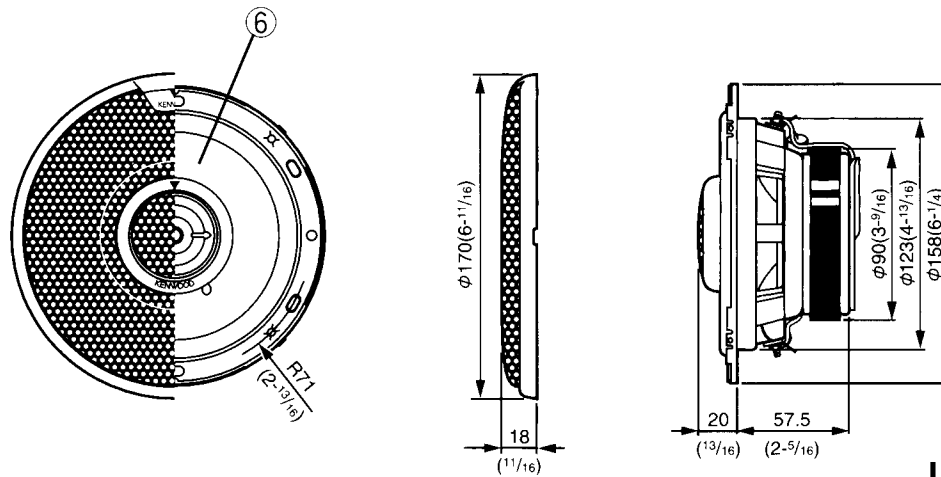
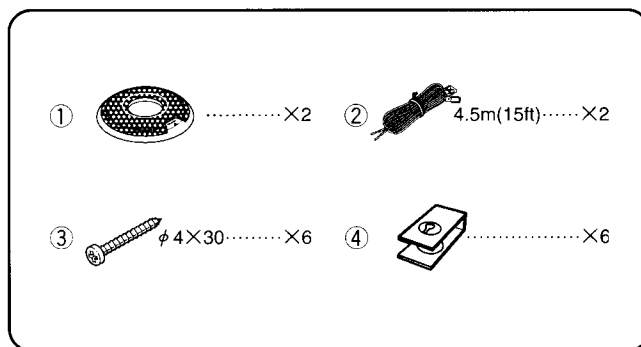


EXTERNAL VIEW**UNIT : mm (inch)****PARTS INCLUDED****PARTS LIST**

* New parts

Parts without **Parts No.** are not supplied.Les articles non mentionnés dans le **Parts No.** ne sont pas fournis.Teile ohne **Parts No.** werden nicht geliefert.

| Ref No. | New Parts | Parts No. | Description |
|---------|-----------|-------------|-------------|
| ① | * | B06-1079-08 | GRILLE ASSY |
| ② | | E30-5367-08 | CORD ASSY |
| ③, ④ | | N99-1283-05 | SCREW SET |
| ⑥ | * | T15-0336-08 | SPEAKER |

SPECIFICATIONS

Speakers

| | |
|------------------------|--|
| Woofer | 158mm(6in) Pearl Mica Cone Type |
| | 340g(11.9oz) Magnet |
| Tweeter | 40mm(1-9/16in) P.P.T.A. Balanced Dome Type |
| Peak Power | 150 Watts |
| Frequency Response | 35 Hz~30,000 Hz |
| Sensitivity | 92 dB/W at 1m |
| Impedance | 4 Ohms |
| Net Weight With Grille | 2,180g(4.8 lb)/Pair |

We follow a policy of advancements in development. For this reason specifications may be changed without notice.