

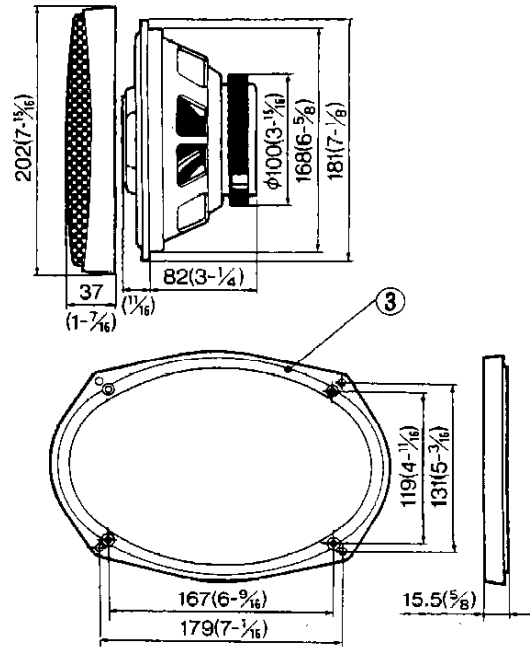
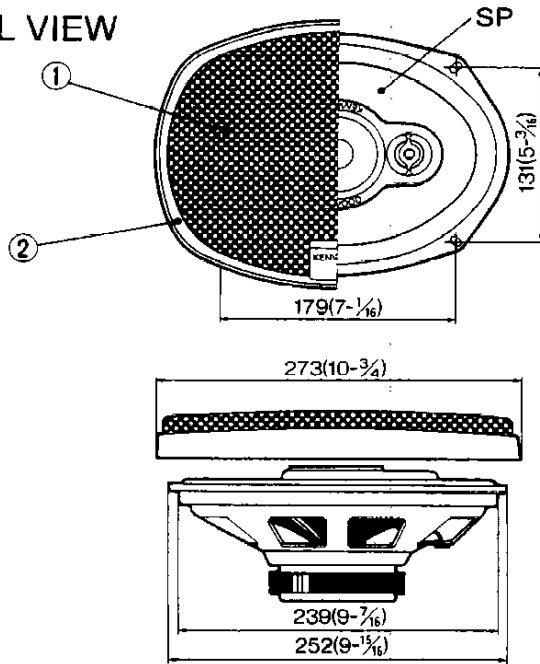
KFC-7170

SERVICE MANUAL

KENWOOD

© 1993-10 PRINTED IN JAPAN
B51-6658-00(B)1722

EXTERNAL VIEW



UNIT : mm(inch)

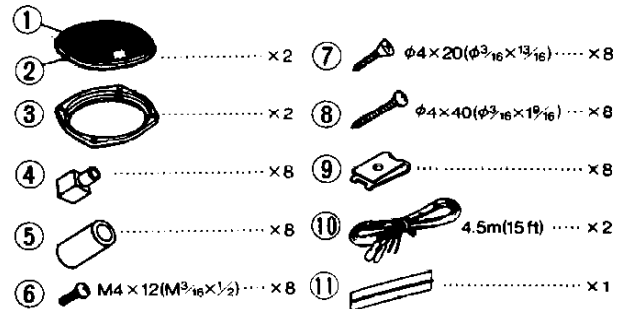
PARTS LIST

* New Parts

Parts without Parts No. are not supplied.
Les articles non mentionnés dans le Parts No. ne sont pas fournis.
Teile ohne Parts No. werden nicht geliefert.

Ref No.	New Prts	Parts No.	Description
①	*	F09-1081-08	PROTECTOR ASSY
②	*	B06-0815-08	GRILLE
③		J30-0842-08	SPACER
④, ⑥~⑨		N99-1237-08	SCREW SET
⑤		J31-0331-08	COLLAR SET
⑩		E30-5141-08	CORD SET
⑪		J69-0120-08	VISCOUS TAPE
SP	*	T15-0270-08	SPEAKER

PARTS INCLUDED



SPECIFICATIONS

Speakers	
Woofer	181 x 252mm (7 x 10 in) Injection P.P. Cone Type 360g (12.7 oz) Magnet
Mid-Range	70mm (2-3/4 in) Water Resistant Cone Type
Tweeter	25mm (1 in) Dome Type
Peak Power	160 Watts
Frequency Response	27Hz ~ 26,000Hz
Sensitivity	92dB/W at 1m
Impedance	4 Ohms
Net Weight With Grille	3,240g (7.1lb) / Pair

KENWOOD follows a policy of continuous advancements in development.
For this reason specification may be

KENWOOD CORPORATION

Alive Mikake, 2-5, 1-chome Shibuya, Shibuya-ku, Tokyo 150, Japan
KENWOOD SERVICE CORPORATION
 P.O. BOX 22745, 2201 East Dominguez St., Long Beach, CA 90801-5745, U.S.A.
KENWOOD ELECTRONICS CANADA INC.
 6070 Kestrel Road, Mississauga, Ontario, Canada L5T 1S8
KENWOOD ELECTRONICS LATIN AMERICA S.A.
 P.O. BOX 55-2791, Piso 6 Plaza Chase, Cl. 47 y Aquilino de la Guardia, Panama Republic de Panama
TRIO-KENWOOD U.K. LIMITED
 Kenwood House, Dwight Road, Watford, Herts, WD1 8EB United Kingdom
KENWOOD ELECTRONICS BENELUX N.V.
 Mechelsesteenweg 418 B-1930 Zaventem, Belgium
KENWOOD ELECTRONICS DEUTSCHLAND GMBH
 Rembrucker Str. 15, 63150 Heusenstamm, Germany
TRIO-KENWOOD FRANCE S.A.
 13 Boulevard Ney, 75018 Paris, France
KENWOOD ELECTRONICS ITALIA S.p.A.
 Via G. Sirtori, 7/5 20129 Milano, Italy
KENWOOD ESPANA S.A.
 Bolivia, 239-08020 Barcelona, Spain
KENWOOD ELECTRONICS AUSTRALIA PTY. LTD. (A.C.N. 001 499 074)
 PO BOX 504, 8 Figtree Drive, Australia Centre, Homebush N.S.W. 2140 Australia
KENWOOD & LEE ELECTRONICS, LTD.
 Unit 3712-3724, Level 37 Tower 1, Metroplaza 223 Hing Fong Road
 Kwai Fong N.T. Hong Kong
KENWOOD ELECTRONICS SINGAPORE PTE LTD
 No. 1, Geylang Lane, #07-00, Singapore 1314