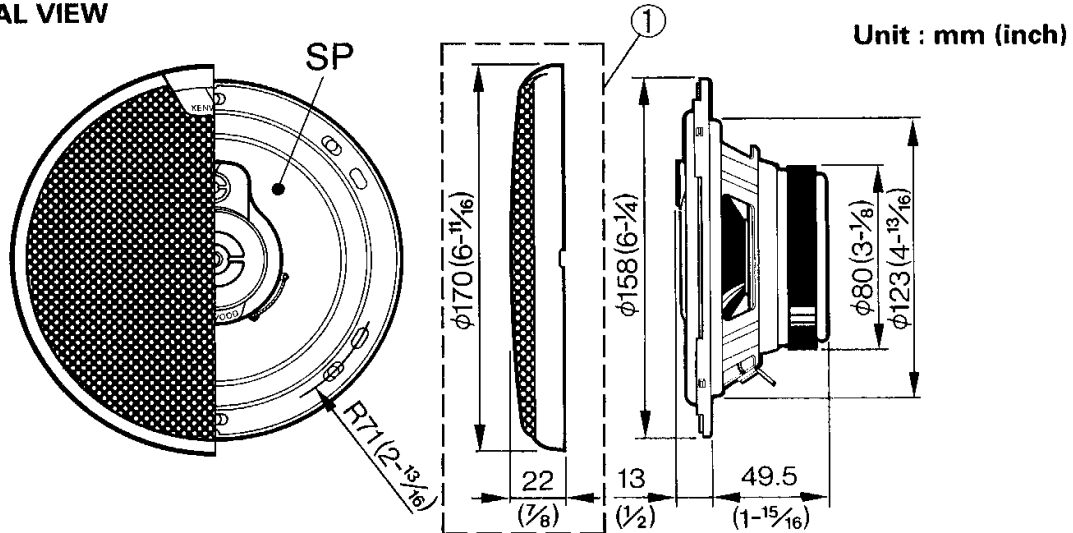


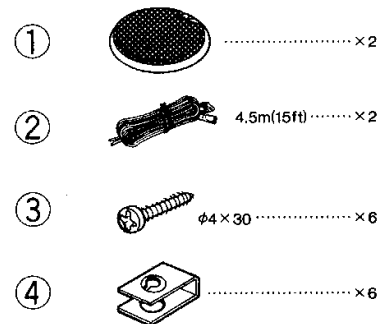
DOOR/REAR DECK SPEAKER

KFC-1685**SERVICE MANUAL****KENWOOD**© 1995-11 PRINTED IN JAPAN
B51-6928-00(N)1342**EXTERNAL VIEW****PARTS LIST**

★ New Parts

Parts without **Parts No.** are not supplied.Les articles non mentionnés dans le **Parts No.** ne sont pas fournis.Teile ohne **Parts No.** werden nicht geliefert.

Ref No.	New Parts	Parts No.	Description
①	★	B06-0975-08	Grille assy
②	★	E30-5283-08	Cord set
③, ④		N99-1086-18	Screw set
SP	★	T15-0320-08	Speaker

PARTS INCLUDED**SPECIFICATION**

Speakers

Woofer	158mm (6in) Injection P.P. Cone Type
	230g (8.1oz) Magnet
Midrange	30mm (1-3/16in) P.P.T.A. Balanced Dome Type
Tweeter	13mm (1/2in) Dome Type
Peak Power	150 Watts
Frequency Response	35Hz~27,000Hz
Sensitivity	92 dB/W at 1m
Impedance	4 Ohms
Net Weight With Grille	1,680g (3.7lb)/Pair

Note:

KENWOOD follows a policy continuous advancements in development.
For this reason specifications may be changed without notice.