

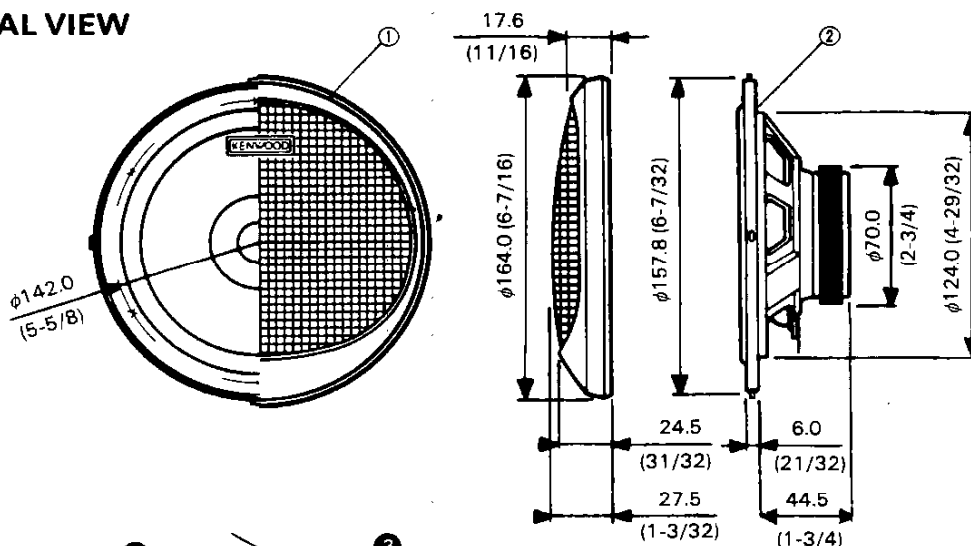
KFC-1661

SERVICE MANUAL

KENWOOD

© 1986-12 PRINTED IN JAPAN
B51-3108-00 (G) 2015

EXTERNAL VIEW



Q.C.
COPY

Unit: mm (inch)

To remove the front grille, pry out the cut off portions ① to ⑤ with a (-) screwdriver in turn as shown in the left figure.

PARTS LIST

* New Parts

Parts without Parts No. are not supplied.

Les articles non mentionnes dans le Parts No. ne sont pas fournis.

Teile ohne Parts No. werden nicht geliefert.

Ref.No.	New Parts	Parts No.	Description	Destination
①		B06-0254-08	FRONT GRILLE	E
		B06-0255-08	FRONT GRILLE	T
		E30-1181-08	SPEAKER CORD SET	
		N99-1044-08	SCREW SET	
②	*	T07-0127-08	SPEAKER (CONE)	E
	*	T07-0129-08	SPEAKER (CONE)	T

SPECIFICATIONS

Speaker type _____ 152g (5.3 oz) Magnet
16cm (6") Water-resistant cone
Peak power _____ 60 watts
Sensitivity _____ 90 dB/w at 1m
Impedance _____ 4 ohms
Insulated cable _____ 4.5m (14.7ft) 2 pcs
Weight per speaker with grille _____ 630 g (1 lb 7 oz)

