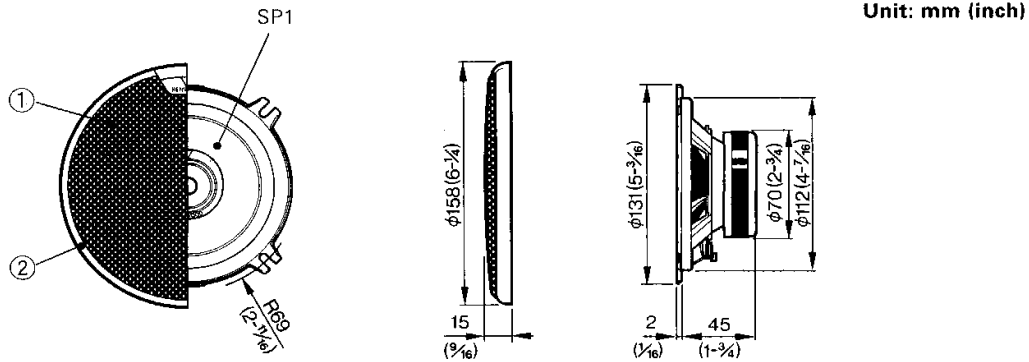


DOOR/REAR DECK SPEAKER
KFC-1365
 SERVICE MANUAL

KENWOOD

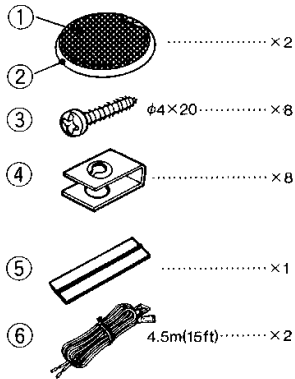
©1996-1 PRINTED IN JAPAN
 B51-6949-00 (MC) 1342

EXTERNAL VIEW



Unit: mm (inch)

PARTS INCLUDED



PARTS LIST

★ New parts
 Parts without **Parts No.** are not supplied.
 Les articles non mentionnés dans le **Parts No.** ne sont pas fournis.
 Teile ohne **Parts No.** werden nicht geliefert.

Ref No.	New Parts	Parts No.	Description
①		F09-1127-08	Protector
②		B06-0977-08	Grille
③, ④		N99-1088-18	Screw set
⑤		J69-0111-08	Adhesive tape
⑥		E30-5283-08	Speaker cord
SP1	★	T15-0305-08	Speaker

SPECIFICATIONS

Speakers	
Woofer	130mm(5in) Water Resistant Cone Type 160g(5.5oz) Magnet
Tweeter	35mm(1-3/16in) Balanced Dome Type
Peak Power	80 Watts
Frequency Response	50Hz~20,000Hz
Sensitivity	91dB/W at 1m
Impedance	4 Ohms
Net Weight With Grille	1,120g(2.5lb)/Pair

Note:
 We follow a policy of advancements in development.
 For this reason specifications may be changed without notice.

INSTALLATION

