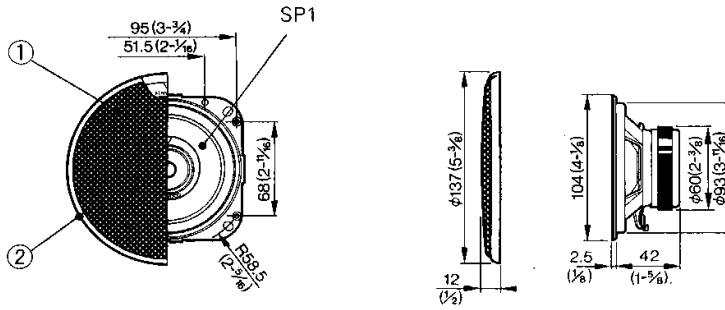


DOOR/REAR DECK SPEAKER
KFC-1065
 SERVICE MANUAL

KENWOOD

©1996-1 PRINTED IN JAPAN
 B51-6948-00 (MC) 1342

EXTERNAL VIEW



Unit: mm (inch)

PARTS INCLUDED

- ① × 2
- ② × 2
- ③ 3m(10ft) × 2
- ④ φ4×20 × 8
- ⑤ × 8
- ⑥ × 1

PARTS LIST

★ New parts
 Parts without **Parts No.** are not supplied.
 Les articles non mentionnés dans le **Parts No.** ne sont pas fournis.
 Teile ohne **Parts No.** werden nicht geliefert.

Ref No.	New Parts	Parts No.	Description
①	★	F09-1128-08	Protector
②	★	B06-0978-08	Grille
③	★	E30-5284-08	Speaker cord
④, ⑤		N99-1242-08	Screw set
⑥		J69-0111-08	Adhesive tape
SP1	★	T15-0306-08	Speaker

SPECIFICATIONS

- Speakers
- Woofers 104mm (4in) Water Resistant Cone Type
 - 100g (3.6oz) Magnet
 - Tweeters 35mm (1-3/8in) Balanced Dome Type
 - Peak Power 60 Watts
 - Frequency Response 60Hz~20,000Hz
 - Sensitivity 90dB/W at 1m
 - Impedance 4 Ohms
 - Net Weight With Grille 800g (1.8lb)/Pair

Note: _____
 We follow a policy of advancements in development.
 For this reason specifications may be changed without notice.

INSTALLATION

