

SERVICE INSTRUCTIONS

www.keatingofchicago.com

KEATING
OF CHICAGO, INC. ®

1-800-KEATING

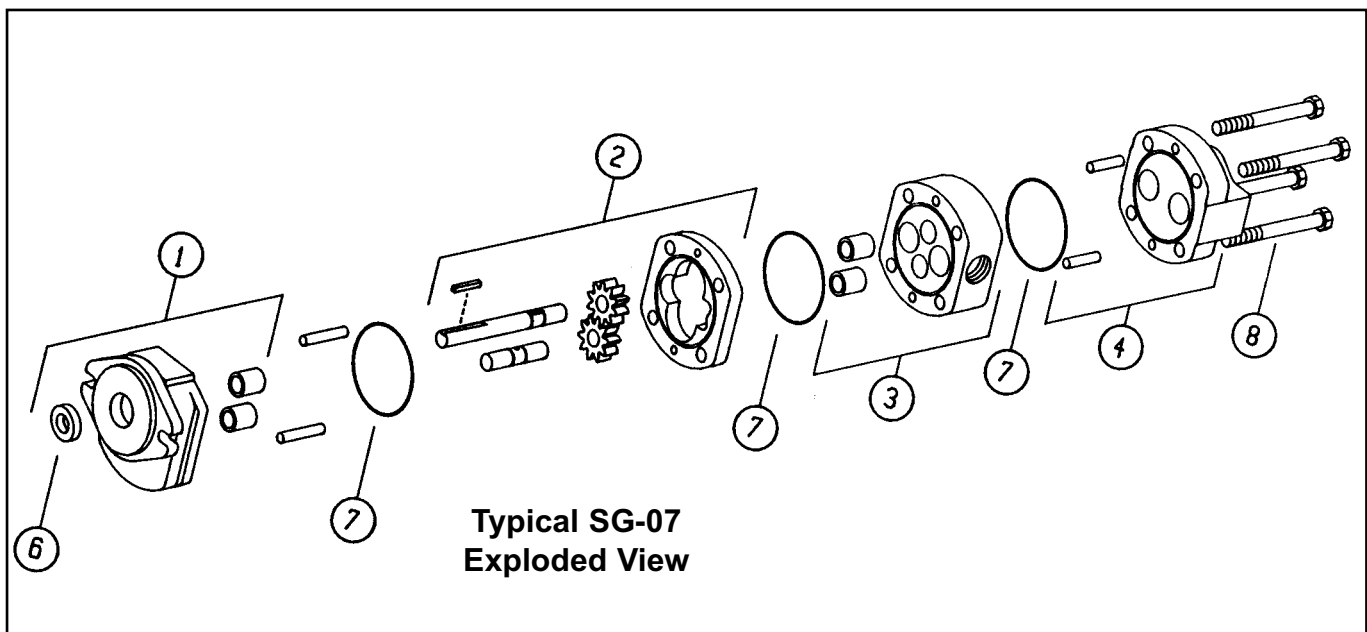
VIKING REBUILT PUMP KIT

A. To Replace "O" Rings (refer to exploded view)

1. Remove 4 bolts #8. The housing will come apart. Replace "O" rings making sure the "O" ring is in the groove in the housing.

B. To Replace Lip Seal

1. The lip seal is located in the bracket Item #1. Using a flat blade screwdriver, knock out the old lip seal. **CAUTION:** Be careful not to damage the bearings.
2. Using an Arbor Press, press the new lip seal into the bracket #1.
3. Replace all sections of the pump making sure none of the "O" rings are pinched between the sections.
4. Tighten down the 4 bolts by alternating between them.



ITEM DESCRIPTION

- 1 Bracket, lipseal & bearing section
- 2 Match ground casing & (2) gears, driver & driven shafts
- 3 Separation plate & bearing assembly
- 4 Head and alignment sleeve assembly
- 6 Lipseal
- 7 O-ring
- 8 Assembly capscrews