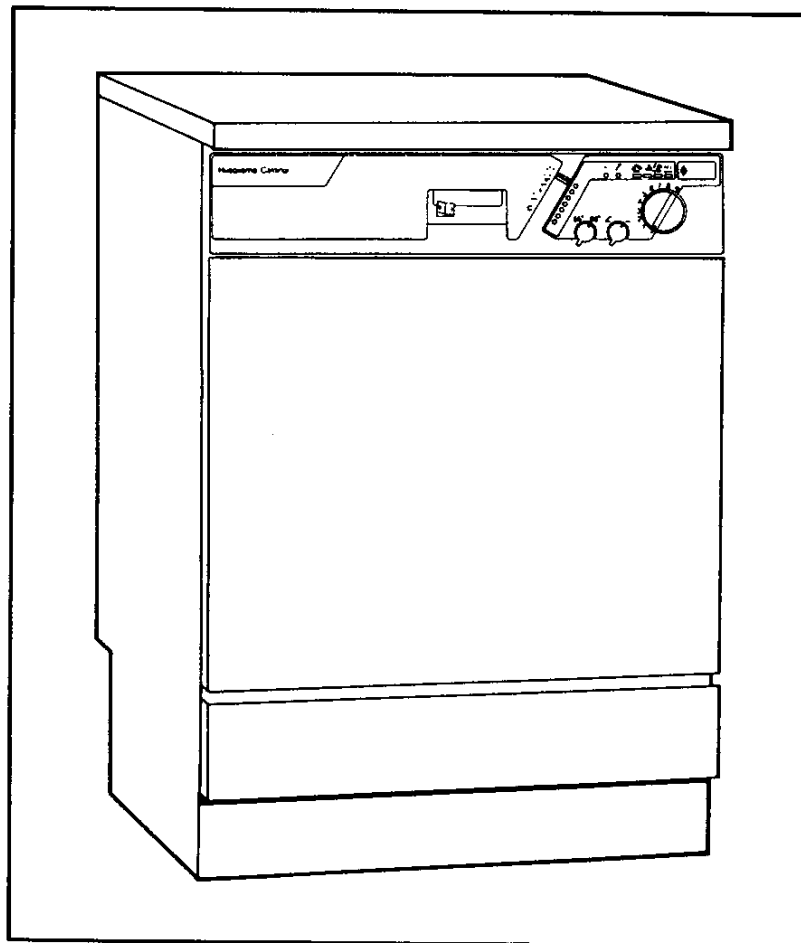


ARKIVKOPIA



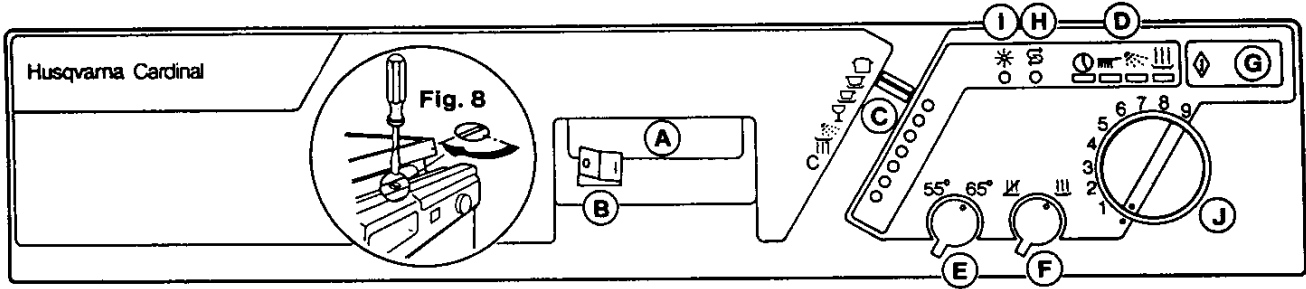
Husqvarna QB325W Dishwasher

Operating manual



Getting to know your dishwasher

The Controls



A. Door Lock

The door is fitted with a childproof safety catch. To open the door, move the catch in the recess to the right and press upwards. The safety catch can be disconnected by rotating the red screw slot a quarter turn on the upper edge of the door (Fig. 8). The door can then be opened by just pressing the safety catch upwards.

NOTE: The dishwasher will not operate unless the door is closed.

B. Mains ON/OFF Switch

This cuts off the power supply to the machine 'I' = ON and 'O' = OFF. To isolate the machine completely from the mains it must be unplugged.

C. Programme Selector

To select a programme slide the selector lever, diagonally, to the required setting. When the start button has been pressed the programme display light will become illuminated opposite the selected programme.

If you wish to change the programme selected once the programme has started, slide the lever to position 'C'. The programme timer will move back to the start position and an audible clicking sound will be heard whilst this is taking place. **Do not attempt to select another programme until the display lights have gone out.** When selecting a new programme do not forget to press the start button again.

D. Programme Sequence Display

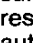

At the beginning of the programme the corresponding indicator lamps will be illuminated to show the selected programme sequence. As each part of the programme is completed so the individual lamps will go out. This makes it possible to determine at which stage the programme is and how much of the programme is left.

E. Temperature Selector

By turning this control to the left or right using the lever it will select the temperature of the water for dishwashing cycle.


If the temperature of the water entering the dishwasher is higher than 65°C all dishwashing and rinse cycles are performed at the temperature of the inlet water.

F. Heated Drying Cycle Selector

Normally at the end of the programme there should be sufficient heat left in the dishes to allow them to dry by residual heat (selector in  position) the moisture being automatically condensed in the machine. However if you wish the heater can be used to assist this process. The heated drying cycle can be selected by simply turning the control using the lever to the  position.

It is important that this heated drying cycle is selected when using the dishwasher to heat plates.

G. Start Button

When the programme has been selected start the machine by pressing the  symbol, holding it in for a couple of seconds until the programme sequence and programme display lights have become illuminated.

H. Indicator for Water Softener

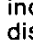
When the indicator is illuminated the water softener requires refilling with salt (page 8).

I. Indicator for Rinse-Aid

When the indicator is illuminated, the rinse-aid dispenser is empty and requires replenishing (page 7).

J. Delay Timer

This allows the dishwasher to be preset to come on up to 9 hours later, useful if you have cheaper electric power rates at night.

Set the timer to the required setting by turning in a clockwise direction. After pressing the start button the indicator lamp marked  on the programme sequence display, which shows that the timer has been engaged, will then light up. It will go out when the timer starts the dishwashing programme.

Other Components

Detergent Dispenser (Fig. 9)

Slide the dispenser latch outwards, the spring loaded flap will open and allow you to fill the dispenser for the main wash with detergent. Prewash detergent is simply placed on the inside of the door. Since some cutlery may be stained by prolonged direct contact with dishwasher detergent do not add prewash detergent directly opposite the cutlery basket.

Only use detergents especially designed for dishwashers. Never use ordinary washing up liquids or powders as the excess foam they produce could prevent the dishwasher from operating correctly. Husqvarna recommend 'Sun' detergent which has been specially formulated for use in domestic dishwashers.

Dosage will depend on the hardness of the water, the consistency of the food with which the dishes are soiled and whether it has dried onto the plates etc. At first you should follow the instructions given on the detergent packet, as you gain experience you will be able to vary the amount to suit your needs. The dispenser has a capacity of 60cc (4 tablespoons).

Once the dispenser is filled with detergent simply close the flap. During the wash cycle, at the appropriate time, the flap will be automatically released to allow the detergent to be washed into the machine.

NOTE:
Dishwasher detergents are corrosive so keep them away from children and pets.

Rinse-Aid Dispenser (Fig. 10)

Rinse-aid is a liquid wetting agent which reduces the surface tension of the water. This allows the water to run off dishes being washed instead of forming droplets that could leave white spots or streaks behind after drying.

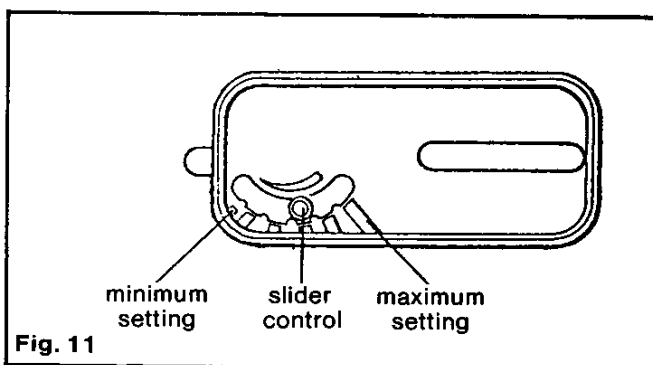
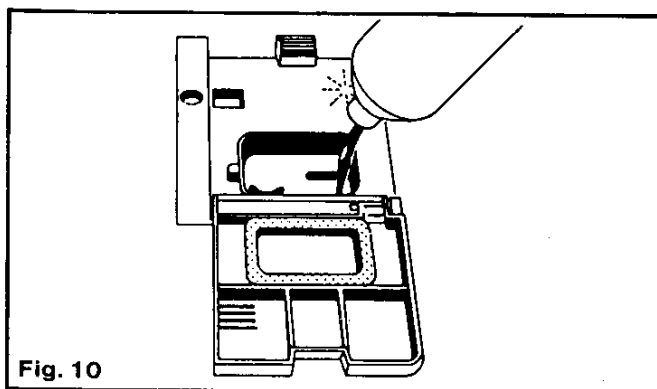
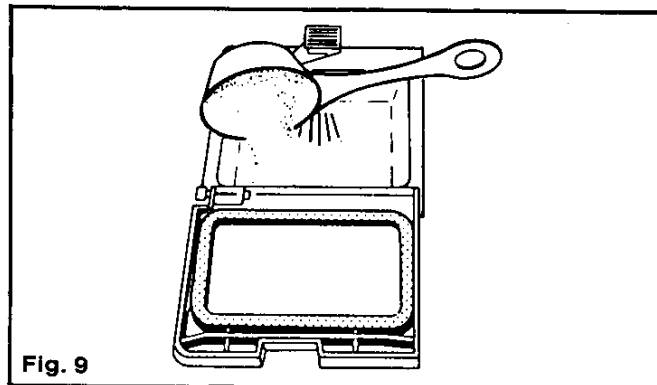
The rinse-aid dispenser automatically injects the rinse aid into the machine during the final rinse.

To fill the dispenser slide the latch outwards to open the lid. Pour the rinse-aid into the dispenser where it will fill a reservoir inside the door. When full the small window (K) of the rinse-aid level indicator will appear black. The reservoir holds approximately 200ml of rinse-aid which is sufficient for 50-150 washes depending on the dosage setting. The amount of rinse-aid dispensed can be varied to suit differing hardness of water. Adjustment is made using the sliding control Fig. 11.

The amount of dosage is indicated by an increasing band. As delivered, the dispenser is set for a minimum dosage for soft water areas. To increase, slide the control to any one of the 6 indentations on the scale. A certain amount of pressure may be required to move the control.

As your Husqvarna dishwasher is fitted with a water softener, the lower setting should be sufficient in most cases. However results achieved in the first few washes will show you whether a higher setting is required. If white spots are evident on dry dishes after a wash slide the control to a higher setting.

When the rinse-aid dispenser requires replenishing the warning light on the front control panel (I) will illuminate and the small window (K) adjacent to the dispenser will clear.



Water Softener

The QB325W dishwasher incorporates a very efficient water softener which requires salt to regenerate it and keep it functioning correctly.

To add salt to the water softener first remove the lower basket to provide access to the salt container filler cap Fig. 12. Unscrew the cap and place the funnel provided over the opening and pour in about 1 ½kg (3½lb) of salt. Do not use domestic table salt as this contains additives which could affect the efficiency of the softener. Husqvarna recommend Sun Salt Tablets which have been specially formulated for use in dishwashers.

When refilling the salt container slight overflowing of water can occur therefore you should pour the salt in slowly whilst stirring. If using granular salt make sure any excess salt is wiped away from around the top of the container so that the cap can be screwed down securely. Usually the salt will have formed a mound directly below the opening. If this interferes with the replacing of the salt container cap break down the mound using a spoon to give sufficient clearance for the cover.

Run your dishwasher through a rinse and hold cycle without a load. This will remove any traces of salt water left lying in the bottom of the machine.

The salt will need to be replenished every 15-30 washes depending on the dosage setting. The amount of salt used can be varied according to the hardness of your water the adjuster being sited on the right-hand wall of the wash chamber Fig. 13. As a guide, position 1 will be adequate for water that is slightly hard and 3 suitable for very hard water. If a white film forms on the wash chamber walls or dishes etc. turn to a higher setting. The white film may be removed by using approximately 60cc (4 tablesp) citric acid instead of detergent and rinsing the dishwasher through the normal wash programme at 65°C.

When the salt container requires refilling the warning light on the front control panel (H) will illuminate. After filling the machine for the first time with salt it may take about 5 wash cycles before this warning light goes out, this is quite normal.

Important: Never operate the dishwasher without salt. If you have a separate household water softener, we would recommend that salt is added to the machine once a year so that any impurities that may have collected in the QB325W water softener are cleared.

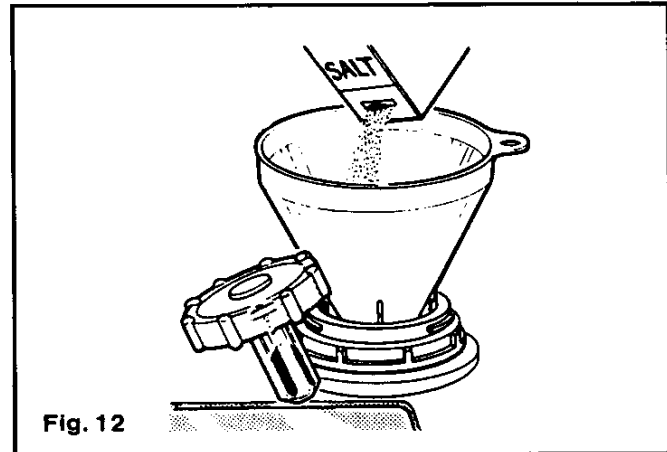


Fig. 12

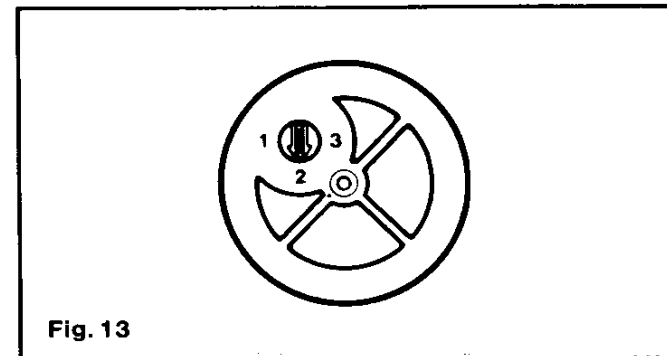


Fig. 13

The Upper Basket Fig. 14

For items such as cups, glassware, small plates and bowls. The loose insert (L) can be used as a support for tall glasses or a rack for awkwardly shaped dishes. It can also be removed to make room for additional glasses, mugs or bowls.

The basket also has a hinged flap (M) that can be fitted either to the right or left-hand side. When lowered it can be used as an extra rack for cups.

The upper basket has two sets of wheels (Fig. 15) which enable it to be placed in the sliding rails in one of the two alternative positions depending on the size of the articles to be washed. To remove the basket turn back the stops (N) on the rails and pull the rack out. When replacing the basket, whilst it is advisable to manually relocate these stops, this will be carried out automatically when the door is closed.

The upper basket can be left out altogether when washing bulky items in the lower basket. But remember you must slide the cover up over the water outlet that feeds the upper spray arm (Fig. 16) and don't forget to uncover the outlet when you replace the basket for normal use.

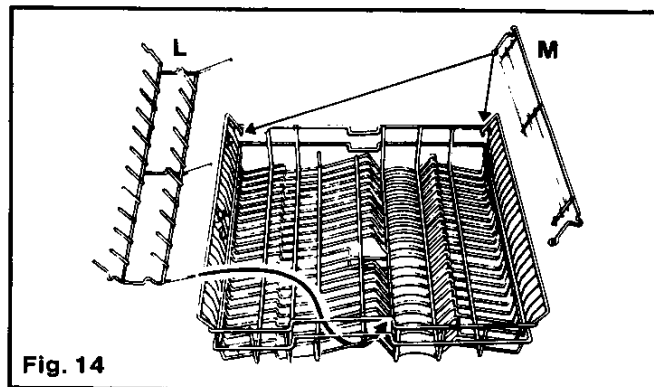


Fig. 14

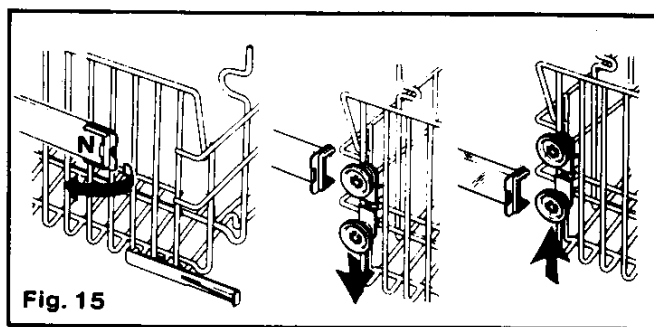


Fig. 15

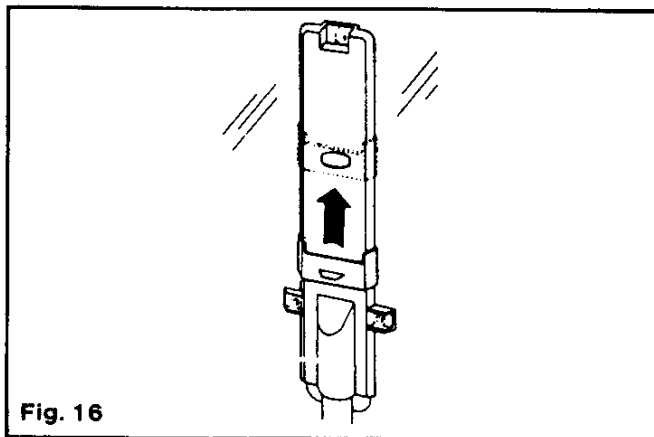


Fig. 16

The Lower Basket Fig. 17

This is for heavier items such as large plates and dishes. The loose insert (O) can be removed to make room for large saucepans or casseroles.

Both baskets are on runners or wheels so that they can easily be pulled out for loading.

Cutlery Basket Fig. 17

This fits in any position along the front of the lower basket. When putting cutlery into the basket, the items should be placed with the **handles** pointing downwards. Make sure that spoons and forks do not rest together and thus prevent the water jets from reaching all the soiled surfaces. Also make sure that slender items cannot protrude through the openings in the bottom of the basket and foul the spray arm. Also never mix silver and stainless steel items in the same section of the cutlery basket (see p.14)

The cutlery basket can be removed altogether if necessary to make room for larger items.

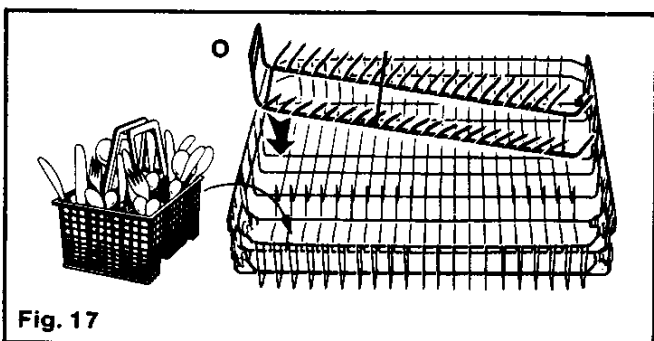




Fig. 17

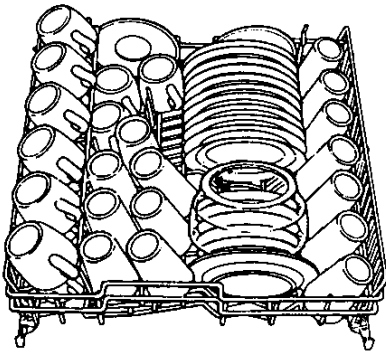
Using your Dishwasher

1. Check the filters are clean (p.11) and that water and power are reaching the machine.
2. Check that the rinse-aid and salt do not need replenishing (p.7-8).
3. Scrape plates and dishes clean of large pieces of waste food, bones, etc.
4. Load your dishwasher baskets (p.9), suggested loading patterns are shown below. Ensure cups, glasses and bowls etc. are face-down over the spray arms.
If you do not have sufficient dishes to fill the dishwasher and do not want to wash them immediately, select Rinse and Hold, the dishes after rinsing remain in the machine until you are ready to select another programme. No detergent is necessary for this programme.
5. When full, place the required amount of detergent in the dispenser (p.7).
6. Switch on at the mains switch (B), select the desired programme and temperature and additional element drying if required, a programme chart is given opposite.
7. Switch on the machine by pressing the start button  (p.6), holding it in for a couple of seconds until the display lights on the control panel become illuminated.
NOTE: If using the delay timer carry out steps 1 - 6 then set the timer to the required delay period (up to 9 hours). Press the start button and hold until the neon light marked  lights up in the programme sequence display. The machine will automatically begin the wash cycle when the delay time has elapsed.
8. The dishwasher will go through the whole wash cycle automatically and into the drying mode where the water vapour is condensed inside the machine. When you remove the dishes they will be dry and clean.
Try not to open the door during the drying cycle or heat will escape.
If you wish to add forgotten items to the machine during the wash programme, the machine will stop as soon as you open the door and will start again when you close the door.
9. When the washing programme has finished, the machine will stop and the lights go out. You should then switch off the machine and also turn off the water stopcock. Do not turn off the water before the programme has finished as water is needed for the regeneration of the water softener which takes place during the drying cycle.

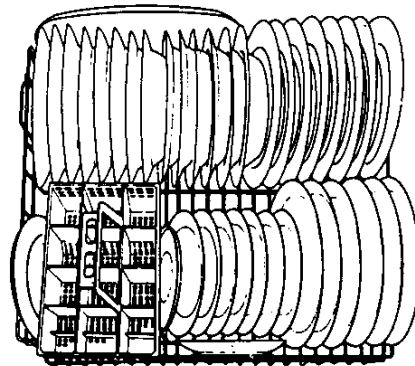
NOTE:

The main ON/OFF switch should be left in the ON position 'I' if you are not in the habit of turning the water off after use, this will allow the leakage and flood protectors to operate if needed.

Suggested loading patterns



TOP BASKET



LOWER BASKET

Programme Chart

Programme Type	Symbol	Use	Temperature Setting	PROGRAMME SEQUENCE							Water Consumption (Litres)	Time ** (mins)
				Washing		Rinsing			Drying			
				Prewash	Main Wash	1st Rinse	2nd Rinse	3rd Rinse*	Residual	Element		
Intensive Wash		For very heavily soiled dishes and casseroles	65°C for normal ware OR 55°C for more delicate items	55°C	55°C/65°C	Inlet temp	Inlet temp	55°C/65°C		Optional	33	36
Normal Wash		For average/heavily soiled items	65°C for normal ware OR 55°C for more delicate items	Inlet temp	55°C/65°C		Inlet temp	55°C/65°C		Optional	28	32
Economy Wash		A faster wash for average soiled items	65°C for normal ware OR 55°C for more delicate items		55°C/65°C	Inlet temp	Inlet temp	55°C/65°C		Optional	21	26
Super Economy		For lightly soiled items & glassware	55°C		55°C	Inlet temp		55°C		No	19	17
Rinse and Hold		To rinse dishes in a partially filled dishwasher	55°C or 65°C as no heating takes place			Inlet temp					9	5
Plate Warming		To warm dinner plates etc. prior to serving a meal	65°C					65°C		Yes	9	21

Wash action takes place

Special rinse to wash filter

* The temperature of the final rinse is 55°C, if however the additional drying element is selected this final rinse temperature will rise to 65°C.

** Plus time to heat up water.

General Advice

Generally speaking, crockery and cutlery which can normally be washed by hand can also be washed in the machine, although pans, casserole dishes etc. which have food burnt on should be soaked first.

Some materials are not suitable for machine washing, or require special treatment, therefore, to avoid any disappointment, we suggest the following information is carefully studied.

Plastic-ware. Some plastics are suitable for washing in the high water temperatures obtained in the machine but others may warp or discolour. If there is any doubt, we suggest that one small item from the set is washed initially to check the results.

Antique and handpainted china or porcelain. Because these delicate materials can be bleached or discoloured even by hand washing, we do not recommend that these articles are machine washed.

Aluminium. If tarnishing has taken place in previous washes, remove bright aluminium articles before the final rinse cycle. Simply stop the machine by opening the door. Remove the articles and then close the door, the machine will automatically restart. To remove tarnish from an aluminium pan, boil water with a little vinegar added in the pan. Rinse and dry the pan. Do not wash coloured aluminium articles in your machine.

Ceramic Glazes. Some glazes will not withstand machine washing temperatures and a trial wash is recommended on a less important piece.

Glass. Wash glasses on super economy wash programme at 55°C. Cut glass, glasses with coloured decorations and lead crystal are not suitable for machine dishwashing. Try to ensure that glasses do not touch each other or other items when placed in the basket.

Stainless Steel. Although cutlery manufactured from stainless steel is generally considered stain-proof, it is possible, if washed in contact with silverware, for an action to be set up resulting in corrosion of the stainless steel. This is why we recommend that stainless steel cutlery and silver cutlery be placed in different sections of the cutlery basket so that they do not come into contact with each other.

As stainless steel can become pitted if left too long in contact with moisture, cutlery should not be subjected to the rinse and hold cycle.

Cutlery with bone handles should not be washed at high temperatures as this could have an adverse effect on any adhesives used in their manufacture. Wooden handled items should not be washed in a dishwasher.

When buying new utensils and crockery always enquire whether they are suitable for use in a dishwasher. Also avoid complicated shapes that will make dishwashing more difficult.

Maintenance

Cleaning

Before carrying out any cleaning of your dishwasher always make sure that the power supply is turned off at the wall socket and the stop cock is closed.

The inside of the machine is kept clean throughout normal usage, however certain items should be checked occasionally to see if they need cleaning.

1. The filters (page 11).
2. The spray arms (page 10).
3. Do not allow detergent deposits to build up in the dispenser, wipe away any powder residue.
4. Clean the front edge of the wash chamber particularly around the hinges and door seal with a damp cloth.
5. Occasionally wipe around the outer edges of the inner door with a damp cloth.
6. Wipe the outside of the machine with a damp cloth. Do not use other forms of cleaning material, such as metal polish, that could damage the surface.

Water Hoses

Check hoses and hose couplings now and again, so that any possible leaks will be discovered in time.

IMPORTANT

Always shut off the water supply if the machine is not to be used for a period of time.

If the Dishwasher fails to work

In the event of your machine developing a fault, you should quickly run through this check list before calling your local Husqvarna reception unit.

The machine foams over

Are you using the right kind of detergent? Always use detergent specially formulated for dishwashers.

The machine fails to discharge

Is the filter clean?

Is the drain hose kinked?

Is the discharge hose positioned too low so that a siphon is formed?

The machine fails to start

Is the machine connected to the mains? If so is electricity reaching your wall socket, check by plugging in another appliance.

If the indicator lamps do not light up check that the machine is properly plugged in and that the fuses are intact.

Has a programme been selected and the ON/OFF switch activated?

Have you pressed the start button and held it in for a few seconds?

Is the water supply connected and the tap turned on?

Is the timer delay in operation?

If the dishes do not get clean

Are the holes in the spray arms clogged?

Are the spray arms obstructed by cutlery or other items?

Have you added sufficient detergent?

Are the filters clogged?

Have the dishes been left so long that the food has dried onto them?

Check that the drain hose is not blocked.

Is water entering the machine? Check the hoses are properly located and not kinked.

If a white film develops on the dishes and on the dishwasher interior check whether the water softener requires additional salt. If the salt container is full increase the setting of the softener adjuster.

The machine is noisy

This dishwasher is one of the quietest models on the market. If excessive noise occurs check that the dishes inside are not knocking against each other or that the top spray arm is not knocking against large objects in the lower dish rack.

GUARANTEE

THIS GUARANTEE IS OFFERED TO YOU AS AN EXTRA BENEFIT AND DOES NOT AFFECT YOUR LEGAL RIGHTS.

Husqvarna products are carefully designed, manufactured, tested and inspected and in consequence we undertake to replace or repair any part found to be defective in material or workmanship, within one year of delivery to the original purchaser, free of charge.

Additionally, during the subsequent four years, any defective parts will be replaced free — labour costs only being chargeable, provided that within 14 days of the purchase the Guarantee Registration card is completed and returned to the Company.

The Company does not accept liability for defects arising from neglect, misuse, or accident. Interior light bulbs and glassware are also excluded from the guarantee as are blockages in filters and waterways.

There are certain conditions which may invalidate this guarantee:

It is dependent upon the appliance being correctly installed and used in accordance with the Company's instructions under normal domestic conditions within the United Kingdom.

Service under the guarantee must be carried out by a Husqvarna service representative or authorised agent.

The guarantee may be invalidated by unauthorised repair or modification of the appliance.

Proof of the date of purchase will be required before service under guarantee is provided. Addresses or telephone numbers for service requests are listed in the User's Handbook or telephone directory under Electrolux Limited.

Husqvarna Limited

For future reference please enter below the date of purchase and your dealer's name.

Date of purchase _____

Purchased from _____

Husqvarna Service Organisation

Should you require help or service in connection with your Husqvarna domestic appliance, please contact the Service Reception unit in your area. Before writing or telephoning for service please check whether your problem is covered under the heading "IF THE DISHWASHER FAILS TO WORK". If you are asking for service under guarantee, please ensure you have your purchase invoice for inspection by the Service Representative when he calls.

SOUTHERN REGION

Electrolux Ltd., Hippodrome House, Birchett Road,
Aldershot, Hants GU11 1LU
Aldershot 24505 (STD code 0252)

Brighton area. 31 Bristol Gardens, Kempton,
Brighton 694341 (STD code 0273)

Cheltenham area. 16 Suffolk Parade,
Cheltenham 584051 (STD code 0242)

Croydon area. Airport House, Purley Way,
Croydon 01-688 2516 (Spares only)

Maldstone area. 128 Sutton Road,
Maldstone 677727 (STD code 0622)

Southampton area. 23A Church Street,
Shirley, Southampton SO1 5GL
Southampton 785231 (STD code 0703)

Buckinghamshire and Watford.
High Wycombe 41042 (STD code 0494)

Devon and Cornwall. 321 Albert Road,
Devonport, Plymouth 58161 (STD code 0752)

Avon and Somerset. 3 Waring House,
Redcliffe Hill, Bristol 211876 (STD code 0272)

Jersey. 1A Victoria Road, Georgetown, St. Saviour,
Central 22138 (STD code 0534)

LONDON REGION

Electrolux Ltd., 842 Coronation Road,
Park Royal NW10
01-965 3849 (Spares only)
01-965 9699 (Requests for service)

South London area. 127 Croydon Road,
Beckenham. 01-658 9069 (Spares only).

Thames area of Essex. 638 London Road,
Westcliffe, Southend 354313 (STD code 0702)

MIDLANDS & SOUTH WALES REGION

Electrolux Ltd., 3 Strensham Hill, Moseley,
Birmingham B13 8AQ (021-449 5252)
021-358 5118 (Spares only)

Luton area.
Electrolux Ltd., Oakley Road,
Luton, Beds. LU4 9QQ
Luton 573255 (STD code 0582) (Spares and repairs)
Luton 575966 (STD code 0582) (Requests for service)

Northampton area.
43B Abbey Road
Northampton 69222 (STD code 0604)

Bedford area.
Bedford 219000 (STD code 0234)

Norwich area. 1 Malthouse Lane, Norwich.
Service 667017 or 667018 (STD code 0603)

Nottingham area. 213 Derby Road, Bramcote,
Nottingham 396927 (STD code 0602)

Potteries area.
Stoke-on-Trent 413414 (STD code 0782)

South Wales area. 19 David Street,
Cardiff 387444 (STD code 0222)
Powell Duffryn House, Adelaide Street,
Swansea 51848 (STD code 0792)

NORTHERN REGION

Electrolux Ltd., Altham Lane,
Altham, Accrington BB5 5XY
Padiham 74621 (STD code 0282)

Manchester area. 88 Bury Old Road,
Whitfield, Manchester (061-798 9689)

Merseyside & North Wales area.
141 Brook Street, Chester 312038
(STD code 0244)

Liverpool area. 1 Honeys Green Precinct,
Honeys Green Lane, Liverpool L12 9JH
051-220 8014

Yorkshire. 70 Cross Gates Road,
Leeds 608511 (STD code 0532)

Sheffield area. 51 Penistone Road North,
Sheffield 338674 (STD code 0742)

SCOTLAND & NORTH EASTERN REGION

Electrolux Ltd., 28/32 Cadogan Street,
Glasgow G2 7LR (041-204 0411)

Aberdeen area. 8 Cornhill Arcade, Cornhill
Drive, Aberdeen 695761 (STD code 0224)

Ayr area.
262242 (STD code 0292)

Dundee area. 119 Hilltown, Maxwell Shopping
Precinct, Dundee 22630 (STD code 0382)

Edinburgh area. Lochrin Place, Tollcross,
Edinburgh 1232 (STD code 031-229)

Inverness area.
223056 (STD code 0463)

Carlisle area. 116 Denton Street,
Denton Holme, Carlisle CA2 5HB
Carlisle 44568 (STD code 0228)

Tyne & Wear/Durham areas. Saltwell House, Lobley
Hill Road Gateshead 4600440 (STD code 091)

Stockton area.
67484 (STD code 0642)

Husqvarna Ltd. LUTON, BEDFORDSHIRE

Husqvarna Ltd., P.O. Box 10, LUTON, Beds. LU4 9QW, ENGLAND. Tel. (0582) 599855

Husqvarna Limited may introduce modifications to their products from time to time and consequently the details given in this leaflet are subject to alteration without notice.
A member of the Electrolux Group of Companies.