

Contents

1	General guidelines	2
2	Safety regulations	3
2.1	Before use	3
2.2	Field of application.....	3
2.3	Danger of electric shock	3
2.4	“Damage to the sealer”	4
2.5	Contamination of the sterilised goods “Danger of patient infection”	4
3	Installation.....	4
4	Overview of controls.....	5
5	Operating instructions.....	6
5.1	Switching on the sealer.....	6
5.2	Setting temperature level 1 - 9	6
5.3	Setting temperature level 10 internally	7
5.4	Sealing procedure.....	9
6	Technical data.....	9
7	Wear and replacement parts	10

1 General guidelines

The purpose of these instructions is to explain to the user how to use the GS 43 sealer safely and correctly.

Anyone whose work involves using the sealer must be familiar with these instructions and the safety regulations.

These instructions must always be available to personnel, to prevent incorrect use of the sealer and to ensure trouble-free operation.

Copyright

These instructions may only be given to third parties with the written consent of GETINGE. All documents are protected by copyright.

The passing-on and copying of documents, including extracts and the communication or use for gain of their contents is not permitted, except by express consent. Infringements are punishable and will lead to claims for damages. We reserve all rights to exercise the provisions of commercial copyright law.

Warranty and liability

We accept liability within the terms of the stated warranty obligations for errors and omissions, to the exclusion of further claims.

We reserve the right to make technical changes to the sealer covered by this instruction manual, for the purpose of further development.

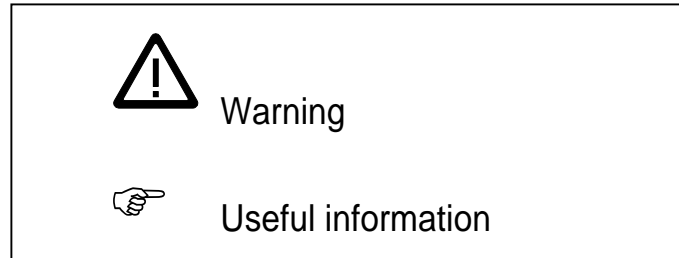
We accept no liability for damage and operational disturbances arising from incorrect operation, failure to observe these instructions, or improper repairs. Only original spare parts and accessories approved by GETINGE may be used.

GETINGE accepts no liability for damage resulting from the use of non-approved spare parts and accessories.

The drawings and graphics are not to scale.

Explanations

Important instructions given in the technical documentation are indicated as follows:



2 Safety regulations

These instructions must be read and strictly complied with.



2.1 Before use

Users must familiarise themselves with the instructions in this manual before using the GS 43 sealer.



2.2 Field of application

The GS 43 sealer is to be used only for sealing sterilisation packages. No liability will be accepted for use of the sealer for any other purpose.

The sealer may only be used for its intended purpose, in accordance with the generally recognised rules of technology and the industrial health and safety regulations. It must not be used if it has defects that might be dangerous to employees or third parties.



2.3 Danger of electric shock

Before the case is opened, the sealer must be disconnected from the electric power supply. To open the case, unscrew the four unmarked internal hexagon screws with a 4mm key.

Only an authorised technician or a specialist dealer may undertake servicing work on the sealer.



2.4 “Damage to the sealer”

The sealer is not suitable for sealing PE bags. The sealer may be damaged if an unsuitable material is used.



2.5 Contamination of the sterilised goods “Danger of patient infection”

1. If the pressure of the pressure rollers is incorrectly set, the seam will not be bacteria-tight.
2. The user must set the correct sealing temperature for each packaging material and sealer. This is done by trial sealing operations. Sealing temperatures are usually between 120° C und 180° C. Our recommendation is to set the sealing temperature to 120 °C and to raise it gradually until a bacteria-tight seam is obtained.

If the temperature is too low, the seam will be incomplete and the package will therefore be weak.

If the temperature is too high, the package will be difficult to peel open. Paper fibres may be released and contaminate the sterile goods.

Released paper fibres may result in patient infection.

3 Installation

Set up the GS 43 sealer on a clean, smooth surface as follows:

Position the sealer as required.

Leave at least 15 cm free space behind the sealer to ensure good cooling and trouble-free operation.

Plug the mains cable into the socket on the back of the sealer.

Check that the voltage and frequency of the supply agree with the voltage and frequency shown on the sealer.

Plug the mains lead into the power socket.

Install the feed plate.

To adjust the distance to the seam, slacken the knurled nut on the feed plate. Move the feed plate to the required position and tighten the knurled nut.

With the feed stop fully forward, the seam is about 5 mm away from the cut-off edge of the material; with the feed plate fully back it is about 35 mm away from it.

The GS 43 sealer has is now installed.

Paper guide accessories

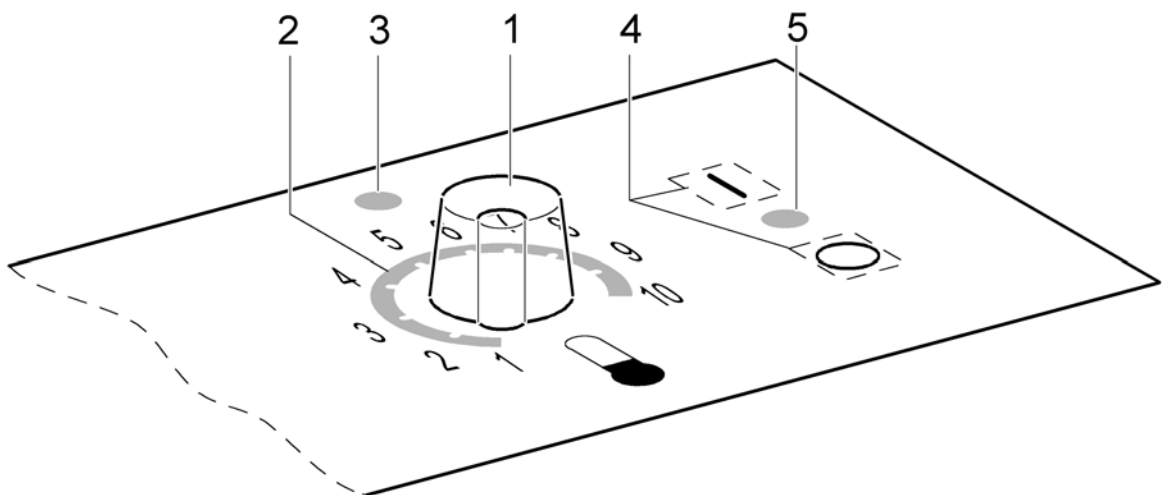
GETINGE recommend the use of a paper guide for convenient feeding and trouble-free transport of the material.

Remove the feed plate and install the paper guide.

To set the seam width, slacken the knurled nut on the paper guide to release the feed stop. Move the feed stop to the required position and tighten the knurled nut.

With the feed stop fully forward, the seam is about 5 mm away from the cut-off edge of the material; with the feed plate fully back it is about 35 mm away from it.

4 Overview of controls



1. Temperature selector switch
2. Temperature setting scale
3. Indicator lamp (temperature)

4. Motor on/off switch
5. Indicator lamp (motor)

5 Operating instructions

The GS 43 sealer seals all sterilisation packages that are normally commercially available. The sealer is not suitable for sealing PE bags.

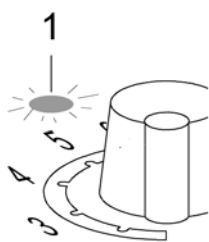


“Damage to the sealer”

See Section 2.4, page 4.

5.1 Switching on the sealer

Set the green switch on the back of the sealer to (I).



The red lamp (1) shows a steady light, then goes out briefly.

The sealer heats up. **Do not** feed in any material at this stage.

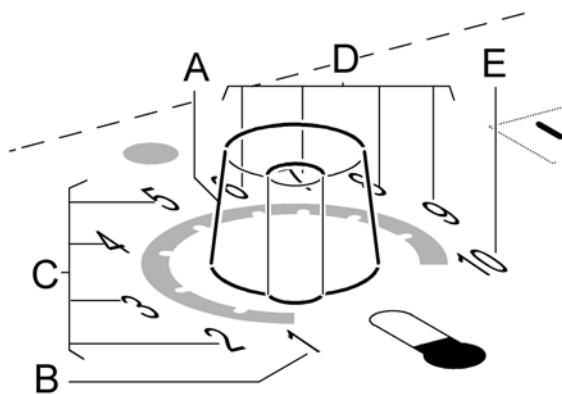
The red indicator (1) lamp starts to flash.

The sealing temperature has been reached and the sealer is ready to seal.

5.2 Setting temperature level 1 9

You can set the temperature level in ten steps.

Turn the switch (A) to the required position, as follows.



Step 1 (B): Standby mode to save energy during pauses.
Set to 50 °C.

Steps 2, 3, 4 and 5 (C):
around 120 °C.
These settings are for Tyvek® material.

Steps 6, 7, 8 and 9 (D): around

0 °C.

These settings are for transparent material.

Step 10 (E) can be set internally up to 200 °C without steps.

This setting can only be done by an authorised technician. Instructions for setting step 10 are given in Section 5.3, page **Fel! Bokmärket är inte definierat..**



Contamination of the sterilised goods “Danger of patient infection”

See Section 2.4, page 4, item 2.

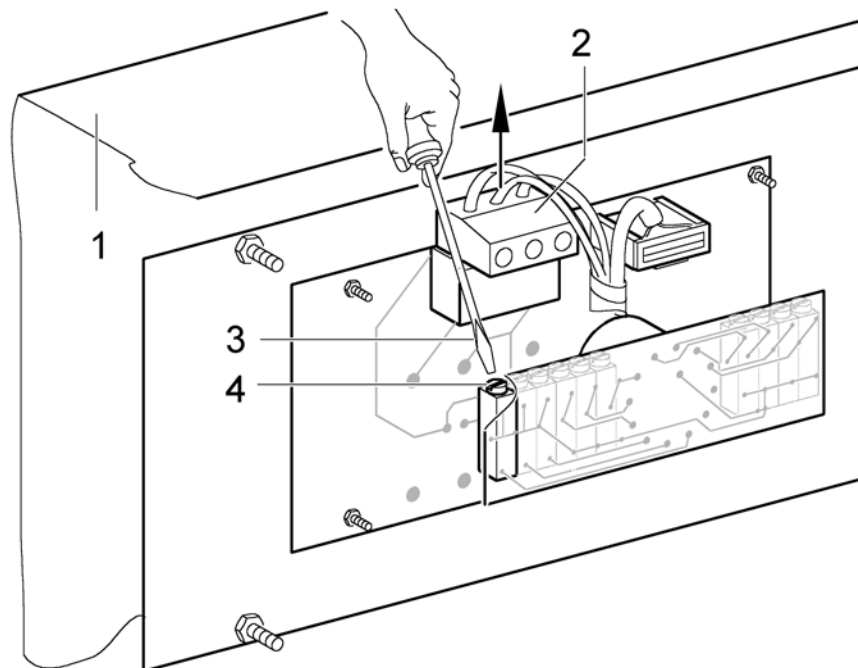


Important

- ▶ Only seal the packaging material when the red light is flashing, ie when the sealing temperature has been reached.
- ▶ If you reduce the temperature, the red light goes out (temperature too high). Wait until the temperature adjusts to the new setting and the red light starts to flash again.
- ▶ If you raise the temperature, the red light stays on continuously (without flashing) (temperature too low). Wait until the temperature adjusts to the new setting and the red light starts to flash again.

5.3 Setting temperature level 10 internally

The adjustment for temperature level 10 is on the underside of the case (1). This is how to set the temperature:



Switch off the sealer and unplug it from the power supply.

Unscrew the four unmarked screws on the underside of the case cover with a 4 mm key.

Remove the case cover (1).

Unplug connector (2) by pulling it upwards as shown by the arrow.

Using a screwdriver (3):

turn screw (4) clockwise

- to raise the temperature -

turn screw (4) anticlockwise

- to lower the temperature -

Refit the case cover (1).



Danger of electric shock

See Section 2.3, page 3.

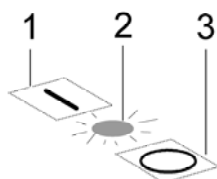


Contamination of the sterilised goods “Danger of patient infection”

See Section 2.5, page 4, item 1.

5.4 Sealing procedure

This is how to start the transport motor:



Press button (1) (motor runs).

indicator lamp (2) gives a steady green light.

Press button (3) (motor stops).



Important

- ▶ When the packaging material is fed in, the paper side should be down.
- ▶ We recommend switching off the motor when the sealer is not in use (eg during breaks).

6 Technical data

SEALER GS 43	
Dimensions w x d x h	570 x 280 x 240 mm approx
Dimensions with paper guide	575 x 320 x 240 mm approx
Weight	13 kg approx
max. sealing temperature	200 °C
Transport speed	9.8 m/min
Seal seam dimensions	4 x 2.5 mm approx
max. power consumption	740 W
Power supply	230V (115V) / 50Hz (60Hz)
Mains fuse	3.15 A slow (115V: 6A slow)

Every GS 43 sealer is set up to produce a seal seam that complies with DIN 58953-7. Every sealer has a certificate of initial validation.

