



Internet Phone GKW06D Quick Manual



YOU-WIN Co., Ltd

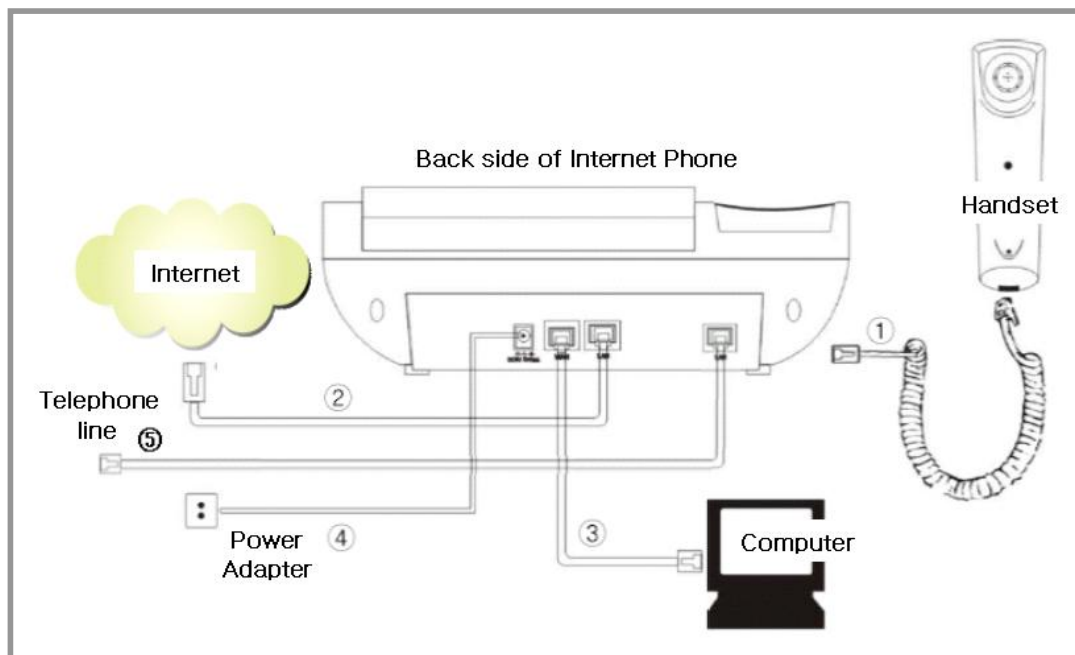


1. Equipment Packaging

Unpack and check all accessories

Item	Q'ty
Manual	1 Copy
IP Phone main unit	1 EA
Handset and phone cord	1 EA
Universal Power Adaptor (DC 9 V)	1 EA
Ethernet Cable	1 EA

2. Internet Phone connections



<Fig. 1: Connection diagram>

Check the connector position of accessories and connect it with following order

- ① Connect the Handset and Phone with phone cord
- ② Unplug the internet cable from computer and plug-in it to "WAN" port of the Phone
(Instead of doing this, providing a extra Internet line for IP phone only is highly recommended)
- ③ Connect LAN port of the Phone and Computer with the Ethernet cable
(If extra internet line is provided, skip this step)
- ④ Connect the DC power output plug to the power jack on the Phone and plug the power adapter into an electrical outlet.
- ⑤ Connect the telephone line to PSTN line on the Phone.



3. Keypad Description

Key Name	Description	Note
1	"1", "-", "!", "?"	
2	"2", "a", "b", "c", "A", "B", "C"	
3	"3", "d", "e", "f", "D", "E", "F"	
4	"4", "g", "h", "i", "G", "H", "I"	
5	"5", "j", "k", "l", "J", "K", "L"	
6	"6", "m", "n", "o", "M", "N", "O"	
7	"7", "p", "q", "r", "s", "P", "Q", "R", "S"	
8	"8", "t", "u", "v", "T", "U", "V"	
9	"9", "w", "x", "y", "z", "W", "X", "Y", "Z"	
0	"0", "space"	
*	"*", "e", ".", "@"	
#	Start dialing process	
PHONEBOOK	Phonebook	
CID	Incoming call list	
Out	Out going call list	
ENTER	"OK", accept setting	
MENU	"Menu" key to set the IP Phone	
UP/DOWN	Up↑ and Down↓ key	
LEFT/RIGHT	Left← and Right→ key	
Volume +/-	Volume control	
FLASH	Flash key	
DEL	"Delete", delete word or phone number	
REDIAL	"REDIAL" the same number again	
H-F	Hand Free	
M1~M4	4 speed dial numbers	
Line1~Line2	the Line1 to Line2	
HOLD	"HOLD" function	
CONF	Three way conference	
FWD	Forward key	
DND	Do Not Disturb	



4. How to use

4.1 Place a call

4.1.1 over internet

- 1) Lift the handset or press H-F button than you can hear the dial tone
- 2) Dial internet phone number to talk with.
- 3) Press # button to starts call immediately. (“#” means end of digit, but if you do not press # button, the phone add # automatically after 5 second)

4.1.2 over telephone line

- 1) Lift the handset or press H-F button than you can hear the dial tone
- 2) Press “0” and “*” button than you can hear second dial tone
- 3) Dial telephone number to talk with.

4.2 Abbreviated dial

Press M1 ~ M4 button than the registered digits in the button dialed automatically

=> Please refer “9.1.1 Phone Book > Speed Dial Settings “ in the user manual.for further information

4.3 Auto-dial in received call list.

- 1) Press CID button
 - 2) Search a telephone number to want to place call with DOWN / UP button, and lift the habdset or press HF button than call starts automatically
- => If you want erase the telephone number, press ENTER button -> DOWN button -> ENTER button again

4.4 Auto-dial in placed call list.

- 1) Press OUT button
 - 2) Search a telephone number to want to place call with DOWN / UP button, and lift the habdset or press HF button than call starts automatically
- => If you want erase the telephone number, press ENTER button -> DOWN button -> ENTER button again

4.5 Answer the call

- 1) When the phone ringing, lift the hand set or press HF button
- 2) Talk with the caller



- 3) In order to hang-up the call, put handset down or press the HF button

5. Special Feature

5.1 Call wating

- 1) If a new call comes into when you are on the line, you can hear indication tone and the LCD displays "L2"
- 2) Press M6 button than the new call connected to you and a music sends to the old line you told with.
- 3) Press M5 button than the old call connected to you and a music sends to the new line you told with.

5.2 Call transfer

- 1) Press HOLD button to transfer a call you talking with.
- 2) When a dial tone comes out than dial the number you want to transfer.
- 3) If the callee answer your call than press TRANSFER button and hang-up the phone.
(You can hang-up the call when you hear ring back tone)

5.3 3-party call

- 1) Place a call to want to invite 3-party-call
- 2) Press HOLD button if the callee answers the call
- 3) When a dial tone comes out than place another call to want to invite 3-party-call
- 4) Press CONF button if the second callee answers the call.

5.4 Call forward.

- 1) If you press FWD button once, phone forwards the incoming call to the number you assigned whenever.
- 2) If you press FWD button twice, phone forwards the incoming call to the number you assigned if you are on the line(busy)
- 3) If you press FWD button 3 times, phone forwards the incoming call to the number you assigned if you does not answer the call.
- 4) If you press FWD button 4 times, phone stop the call forwarding feature.

5.5 Do Not Disturbe

- 1) If you press DND(Do Not Disturb) button, phone rejects all of incoming call.
(the call shown as "Busy" to the caller)



2) If you press DND button again, phone stop the DND feature

5.6 Auto-answer

1) Please refer 9.2.6 “Auto Answer” in the user manual for further information

6. Announcement

6.1 My internet phone number: 000

: Press “000#” than you can hear your internet phone number

6.2 Phone coin / time balance: 100

: Press “100#” than you can hear your phone coin / time balance

6.3 HelpDesk: 114

: Press “114#” than, you can talk with your help-desk

6.4 070 Internet phone number service expiration

: You can hear your 070 Internet phone number service expiration announcement
2~4 times before it expires.