

Introduction

This manual contains detailed instructions and notes on the operation and use of this machine. For your safety and benefit, read this manual carefully before using the machine. Keep this manual in a handy place for quick reference.

Power Source

220-240 V, 50/60 Hz, 10 A

Please be sure to connect the power cable to a power source as above.

Laser Safety:

This machine is considered a class 1 laser device, safe for office/EDP use. The machine contains four AlGalnp laser diodes, 10-milliwatt, 770-810 nanometer wavelength for each emitter. Direct (or indirect reflected) eye contact with the laser beam might cause serious eye damage. Safety precautions and interlock mechanisms have been designed to prevent any possible laser beam exposure to the operator.

The following label is attached on rear side of the printer.



Important

Contents of this manual are subject to change without prior notice. In no event will the company be liable for direct, indirect, special, incidental, or consequential damages as a result of handling or operating the machine.

Caution:

Use of controls or adjustments or performance of procedures other than those specified in this manual might result in hazardous radiation exposure.

Do not copy or print any item for which reproduction is prohibited by law.

Copying or printing the following items is generally prohibited by local law:

bank notes, revenue stamps, bonds, stock certificates, bank drafts, checks, passports, driver's licenses.

The preceding list is meant as a guide only and is not inclusive. We assume no responsibility for its completeness or accuracy. If you have any questions concerning the legality of copying or printing certain items, consult with your legal advisor.

Two kinds of size notation are employed in this manual. With this machine refer to the metric version.

For good print quality, the supplier recommends that you use genuine toner, maintenance kits and parts from the supplier.

The supplier shall not be responsible for any damage or expense that might result from the use of consumables (toner, maintenance kits and parts) other than genuine consumables from the supplier with your office products.

Some illustrations in this manual might be slightly different from the machine.

Certain options might not be available in some countries. For details, please contact your local dealer.

Safety Information

When using your printer, the following safety precautions should always be followed.

In this manual, the following important symbols are used:

⚠ WARNING:

Indicates a potentially hazardous situation which, if instructions are not followed, could result in death or serious injury.

⚠ CAUTION:

Indicates a potentially hazardous situation which, if instructions are not followed, may result in minor or moderate injury or damage to property.


⚠ WARNING:

- ***Confirm the wall outlet is near the machine and freely accessible, so that in the event of emergency, it can be unplugged easily.***
- ***Only connect the machine to the power source described in the manual.***
- ***Avoid multi-wiring.***
- ***Do not damage, break or make any modifications to the power cord. Do not place heavy objects on it, pull it hard or bend it more than necessary. These actions could cause an electric shock or fire.***
- ***Do not incinerate used toner or toner containers. Toner dust might ignite when exposed to an open flame. Dispose of used toner containers in accordance with local regulations.***
- ***Plug and unplug the power cable with dry hands, or an electric shock could occur.***
- ***Do not remove any covers or screws other than those specified in this manual. Some parts of the machine are at a high voltage and could give you an electric shock. Also, if the machine has laser systems, direct (or indirect) reflected eye contact with the laser beam may cause serious eye damage. When the machine needs to be checked, adjusted, or repaired, contact your service representative.***
- ***Do not take apart or attempt any modifications to this machine. There is a risk of fire, electric shock, explosion or loss of sight. If the machine has laser systems, there is a risk of serious eye damage.***
- ***Enclosed set of power cord is only for the use with this product and should not be used with any other electronic equipment or appliances. Do not use any other power cord with this product. They could cause electric shock or fire.***
- ***Keep the machine away from flammable liquids, gases, and aerosols. A fire or an electric shock might occur.***

- ***If smoke is coming out, there is a strange smell, or anything looks unusual, immediately turn off the power switch of the machine, such as the main power switch, and then unplug the machine from the outlet. Otherwise, it could cause an electric shock or fire. Next, contact your sales or service representative. Do not use the machine if it is malfunctioning or not operating normally. If foreign objects, such as metal, liquid, etc. falls inside the machine, immediately turn off the power switch of the machine, such as the main power switch, unplug the machine from the wall outlet, and then contact your sales or service representative. Otherwise, it could cause an electric shock or fire.***

⚠ CAUTION:

- *Do not handle the plug with wet hands. Doing so might cause an electrical shock.*
- *Keep the machine in an area that is within optimum environmental conditions. Operating the machine in an environment that is outside the recommended ranges of humidity and temperature can cause an electrical fire hazard. Keep the area around the socket free of dust. Accumulated dust can become an electrical fire hazard.*
- *Place the machine on a strong and level surface. Otherwise, it might fall and injure someone.*
- *If you use the machine in a confined space, ensure there is continuous air circulation.*
- *Keep toner (used or unused) and toner containers out of reach of children.*
- *If toner or used toner is inhaled, gargle with plenty of water and move into a fresh air environment. Consult a doctor if necessary.*
- *If toner or used toner gets into your eyes, flush immediately with large amounts of water. Consult a doctor if necessary.*
- *If toner or used toner is swallowed, dilute by drinking a large amount of water. Consult a doctor if necessary*
- *Avoid getting toner on your clothes or skin when removing a paper jam or replacing toner. If your skin comes into contact with toner, wash the affected area thoroughly with soap and water.*
- *If toner gets on your clothing, wash with cold water. Hot water will set the toner into the fabric and may make removing the stain impossible.*
- *Our products are engineered to meet high standards of quality and functionality, and we recommend that you use only the expendable supplies available at an authorized dealer.*
- *Do not pull out the paper tray forcefully. If you do, the tray might fall and cause an injury.*
- *Before installing options, the machine should be turned off and unplugged for at least an hour. Components inside the machine become very hot, and can cause a burn if touched.*

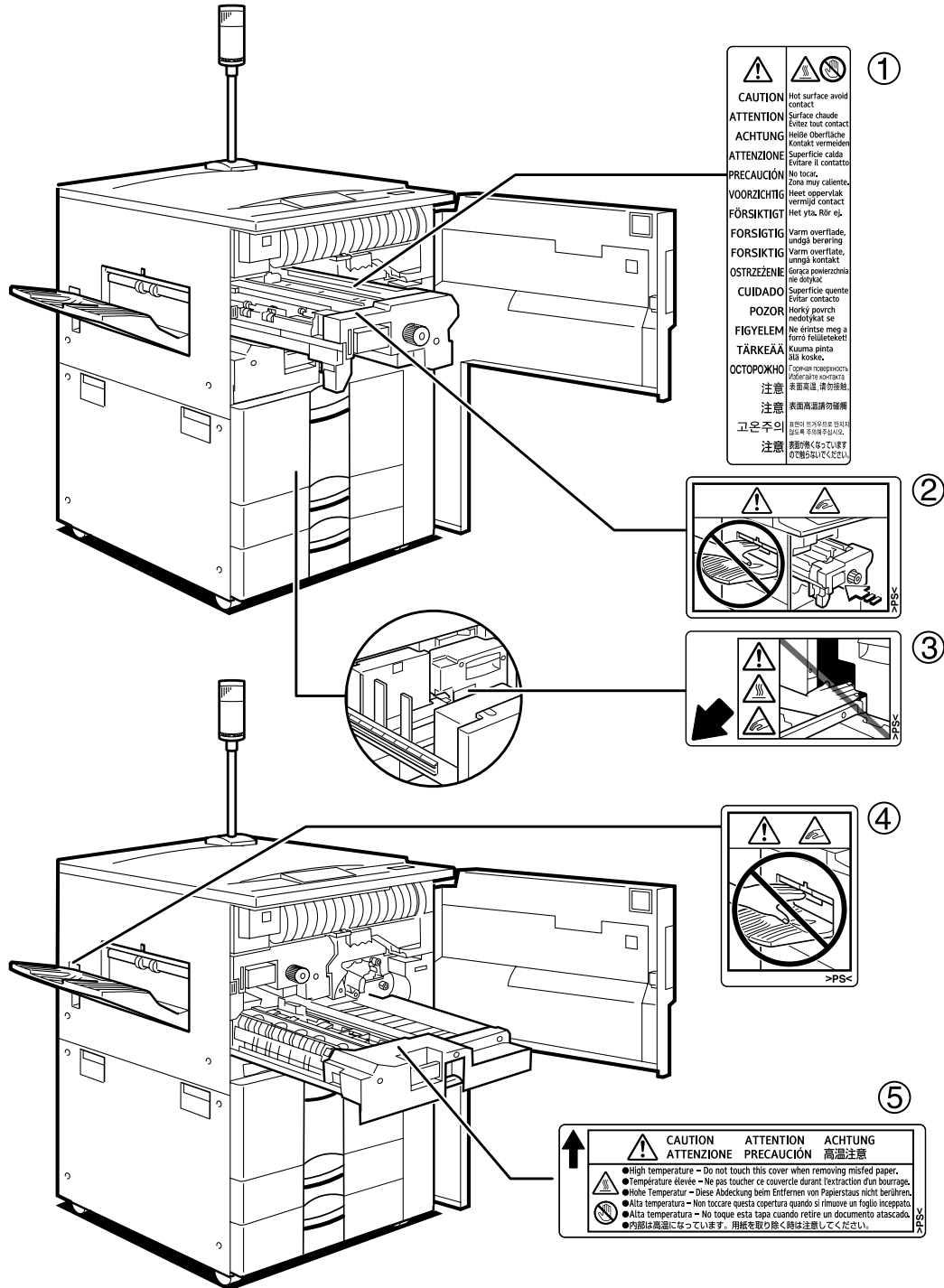
- *Before moving the machine, unplug the power cable from the outlet. If the cable is unplugged abruptly, it could become damaged. Damaged plugs or cables can cause an electrical or fire hazard.*
- *The printer weighs about 188 kg (414.5 lb.). When lifting the machine, use the inset grips on both sides. Otherwise the printer could break or cause injury if dropped. When moving the machine, contact your sales or service representative.*
- *Do not touch the inside of the controller board compartment. Doing so may cause a malfunction or a burn.*
- *The inside of this printer becomes very hot. Do not touch parts labelled “” (indicating a hot surface). Touching these parts will result in burns.*
- *Do not push or pull the call-light when installed to the printer. Doing so may result in damage or malfunction of the call-light or the printer.*
- *Keep the machine away from flammable liquids, gases, and aerosols. A fire or an electric shock might occur.*
- *Do not use aluminum foil, carbon paper, or similar conductive paper to avoid a fire or machine failure.*
- *If the machine is going to be unused for a long time, such as during holidays, unplug the power cable from the outlet.*
- *Keep your hands clear of the booklet finisher tray when pulling out or pushing in the finisher's staple unit. You can trap your fingers if you do not.*

Important

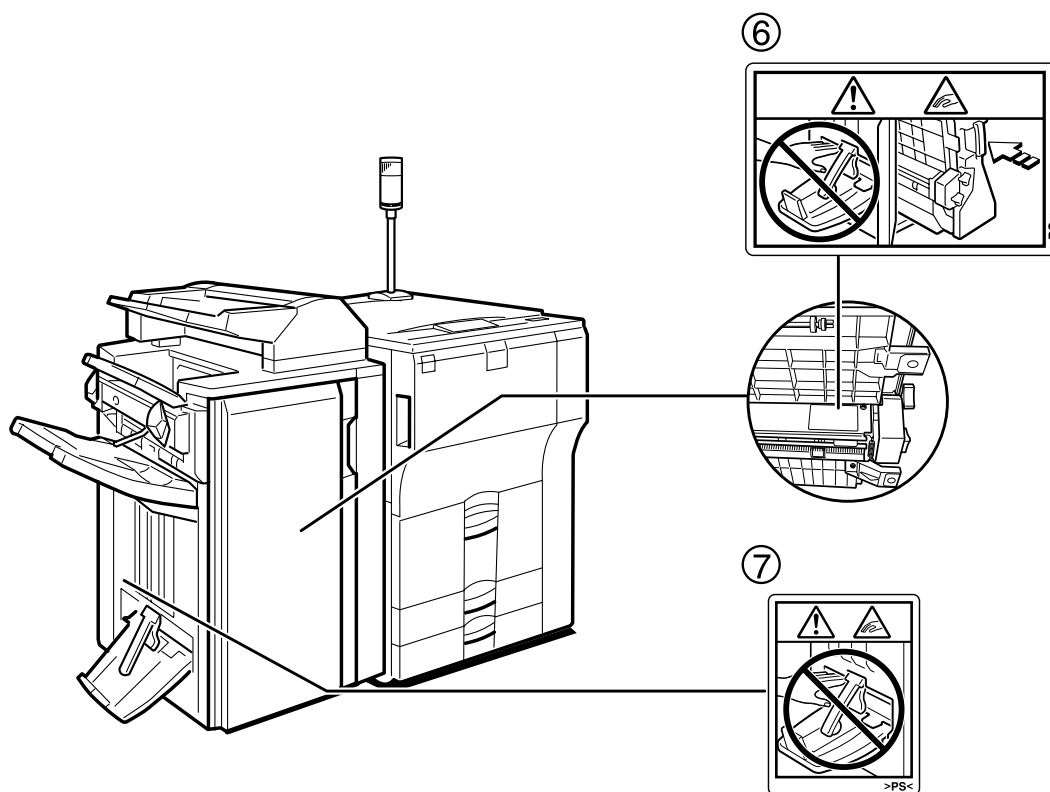
- When moving from a cold to warm location, or if the local temperature rises suddenly, condensation may occur inside. If this occurs, leave the machine unused for at least one hour to let it acclimatize.
- Extreme temperature rise inside the machine may cause malfunctions. Do not place anything in the immediate area of the exhaust and intake vents.
- Always keep all covers closed.
- During printing, do not open the cover of any parts, and do not move the printer.
- Do not pull out the paper tray during printing. Printing will stop and paper will jam.
- Prevent foreign objects, such as paper clips, etc., from falling inside the printer.
- During printing, do not switch the power off and do not unplug the power cable. Sudden power interruptions can cause malfunctions.
- While printing, protect the printer from external shocks, such as arranging papers on top of the printer.
- Depending on temperature and humidity, during printing a while steam may come from the printing paper when it leaves the printer.
- The paper exit and nearby parts may become hot during printing. This is normal and no reason for concern.
- Voltage must not fluctuate more than 10%.

Positions of ⚠ WARNING and ⚠ CAUTION labels

This machine has labels for ⚠ WARNING and ⚠ CAUTION at the positions shown below. For safety, please follow the instructions and handle the machine as indicated.



AST006S



AST007S

- ① The inside of this printer becomes very hot. Do not touch parts with this label (indicating a hot surface). Touching these parts will result in burns.
- ② Do not touch this section of the machine. It could cause injury.
- ③ Do not touch this section of the machine. It could cause injury.
- ④ Do not touch this section of the machine. It could cause injury.
- ⑤ High temperature - Do not touch this cover when removing misfed paper.
- ⑥ Do not touch the paper exit section of the finisher. It could cause injury.
- ⑦ Do not touch the paper exit section of the finisher. It could cause injury.

User Information on Electrical & Electronic Equipment

Users in the EU, Switzerland and Norway

Our Products contain high quality components and are designed to facilitate recycling.

Our products or product packaging are marked with the symbol below.



The symbol indicates that the product must not be treated as municipal waste. It must be disposed of separately via the appropriate return and collection systems available. By following these instructions you ensure that this product is treated correctly and help to reduce potential impacts on the environment and human health, which could otherwise result from inappropriate handling. Recycling of products helps to conserve natural resources and protect the environment.

For more detailed information on collection and recycling systems for this product, please contact the shop where you purchased it, your local dealer or sales/service representatives.

All Other Users

If you wish to discard this product, please contact your local authorities, the shop where you bought this product, your local dealer or sales/service representatives.

Noise Emission ^{*1}

❖ Sound Power Level

	Main unit only
Standby	51 dB (A)
During Printing	71 dB (A)

❖ Sound Pressure level ^{*2}

	Main unit only
Standby	44 dB (A)
During Printing	67 dB (A)

^{*1} The preceding measurements made in accordance with ISO7779 are actual values.

^{*2} Measured at the position of a bystander.

ENERGY STAR Program

As an ENERGY STAR Partner, we have determined that this machine model meets the ENERGY STAR Guidelines for energy efficiency.

The ENERGY STAR Guidelines intend to establish an international energy-saving system for developing and introducing energy-efficient office equipment to deal with environmental issues, such as global warming.

When a product meets the ENERGY STAR Guidelines for energy efficiency, the Partner shall place the ENERGY STAR logo onto the machine model.

This product was designed to reduce the environmental impact associated with office equipment by means of energy-saving features, such as Low-power mode.

❖ Low-power Mode (Energy Saver mode)

This printer automatically lowers its power consumption 60 minutes after the last operation has been completed. To exit Low-power (Energy Saver) mode, press any key on the control panel. For more information about how to configure Energy Saver mode, see “Making Printer Settings with Control Panel”, Software Guide as a HTML file on the CD-ROM.

❖ Specifications

Energy Saver mode	Power Consumption	30 W or less
	Default Time	60 minutes

Recycled Paper

In accordance with the ENERGY STAR Program, we recommend use of recycled paper which is environment friendly. Please contact your sales representative for recommended paper.

MEMO

MEMO

X

In accordance with IEC 60417, this machine uses the following symbols for the main switch:

I means **POWER ON**.

⏻ means **STAND BY**.



Declaration of Conformity

“The Product complies with the requirements of the EMC Directive 89/336/EEC and its amending directives and the Low Voltage Directive 73/23/EEC and its amending directives.”



Declaration of Conformity

Notice to Users in EEA Countries

IEEE 802.11b Interface Unit Type H (R-WL11B):

This product complies with the essential requirements and provisions of Directive 1999/5/EC of the European Parliament and of the Council of 9 March 1999 on radio equipment and telecommunications terminal equipment and the mutual recognition of their conformity.

The CE Declaration of Conformity is available on the Internet at URL:

http://www.ricoh.co.jp/fax/ce_doc/.

Outdoor use of this product is prohibited in France and Italy.

Copyright © 2006

Printed in the Netherlands

GB GB G148-7209



G1487209