



Index

1	Safety precautions and warnings	3
2	Description	5
3	Before you start using your pressure washer	6
4	Operating your pressure washer	7
5	Fields of application and working methods	10
6	After using your pressure washer.....	12
7	Maintenance.....	13
8	Trouble shooting	15
9	Further information.....	15
10	Technical data	17
11	EC Declaration	18

1 Safety Precautions and Warnings

Symbols used to mark instructions



Before starting up your high-pressure washer for the first time, this instruction manual must be read through carefully. Save the instructions for later use.



This symbol is used to mark safety instructions that must be observed to prevent damage to the machine and its performance.



Safety instructions marked with this symbol must be observed to prevent danger to persons.



This symbol indicates tips and instructions to simplify work and to ensure a safe operation.



Do not let people who have not been trained in the use of a high pressure washer nor read the instruction manual operate the machine.

This appliance is not intended for use by children or other persons without assistance or supervision if their physical, sensory or mental capabilities prevent them from using it safely. Children should be supervised to ensure that they do not play with the appliance.

Before starting up your machine please check it carefully for any defects. If you find any, do not start up your machine and contact your Gerni distributor.

Especially check:

- The insulation of the electric cable should be faultless and without any cracks. If the electric cable is damaged, an authorized Gerni distributor should replace it.

WARNING!

- High pressure jets can be dangerous. Never direct the water jet at persons, pets, live electrical equipment or the machine itself.
- Never try to clean clothes or footwear on yourself or other persons.
- Hold the spray lance firmly with both hands. The spray lance is affected by a thrust of up to 16.4 N during operation.

- The operator and anyone in the immediate vicinity of the site of cleaning should take action to protect themselves from being struck by debris dislodged during operation. Wear goggles and protective clothes during operation.
- This appliance has been designed for use with cleaning agents supplied or recommended by the manufacturer. The use of other cleaning agents or chemicals may adversely affect the safety of the appliance.
- To ensure the appliance safety only use original spare parts from the manufacturer or approved by the manufacturer.
- High pressure hoses, fittings and couplings are important for the safety of the appliance. Only use hoses, fittings and couplings recommended by the manufacturer.
- Do not use the appliance if a supply cord or important parts of appliance are damaged, e.g. safety device , high pressure hose and trigger gun.
- Remove the plug from the socket outlet during cleaning or maintenance and when replacing parts or converting the machine to another function.
- The appliance is intended for cleaning outdoors.
- Appropriate ear protection must be used.
- Never use the machine in an environment where there could be a danger of explosion. If any doubt arises, please contact the local authorities.

- It is not allowed to clean asbestos-containing surfaces with high pressure.
- **WARNING!** Risk of explosion - Do not spray flammable liquids.
- Always switch off the mains disconnecting switch when leaving the machine unattended.
- This high pressure washer must not be used at temperatures below 0°C.

WARNING!

Inadequate extension cables can be dangerous. If an extension cable is used, it shall be suitable for outdoor use, and the connection has to be kept dry and off the ground. It is recommended that this is accomplished by means of a cable reel which keeps the socket at least 60 mm above the ground. Cables on reels should always be completely unwound to prevent the cable from overheating.

Extension cables should comply with the below-mentioned requirements for length and cable dimensions.

1.0 mm ²	max.	12.5 m
1.5 mm ²	max.	20 m
2.5 mm ²	max.	30 m

- If the electric cable is damaged, it must be replaced by the manufacturer or his service agent or similarly qualified person in order to avoid a hazard.

Mains power connection



The following should be observed when connecting the high pressure washer to the electric installation:

- The electric installation shall be made by a certified electrician and comply with IEC 364.
- It is recommended that the electric supply to this appliance should include either a residual current device that will interrupt the supply if the leakage current to earth exceeds 30 mA for 30 ms.

Water connection

- Connection to the public mains according to regulations.
- Inlet hose can be connected to the water mains with a max. inlet pressure of 10 bar.

IMPORTANT! Only use water without any impurities. If there is a risk of silt, sand or sediment in the inlet water (i.e. from your own well), an additional filter should be mounted.

Safety devices

- The unloader valve can reduce pressure if it exceeds pre-set values.

Locking device on spray gun (7a) (see illustration at the end of this manual):

The spray gun features a locking device. When the button is activated, the spray gun cannot be operated.

Thermal sensor:

A thermal sensor protects the motor against overloading. The machine will restart after a few minutes when the thermal sensor has cooled.

2 Description

2.1 Application

This high-pressure washer has been developed for domestic use for cleaning:

- *Car, motorbike, boat, caravan, trailer, patio/drive/flags-tones, woodwork, brickwork, barbecue, garden furniture, lawn mower*

washer for purposes described in this manual.

The safety precautions must be observed to prevent damage to the machine, the surface to be cleaned or severe personal injuries.

2.2 Operation elements and model survey



Only use the high-pressure. See illustration at the end of this manual.

- 1 Start/stop switch
- 2 Water inlet with filter (2a)
- 3 High pressure connection
- 4 High pressure hose
- 5 Electric cable
- 6 Click & Clean spray lance
- 7 Spray gun with lock (7a)
- 8 Click & Clean Tornado[®] nozzle
- 9 Click & Clean Powerspeed[®] nozzle

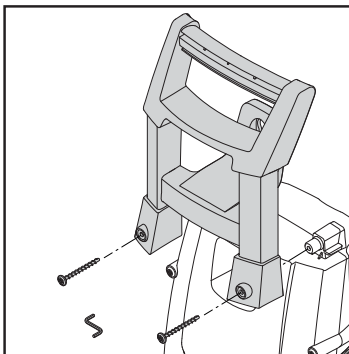
- 10 Foam sprayer
- 11 Nozzle cleaning tool
- 12 Lance and nozzle holder
- 13 Model tag
- 14 Holder for electric cable
- 15 Hexagon key

Specifications: See model tag (13) of machine.

We reserve the right to alter the specifications.

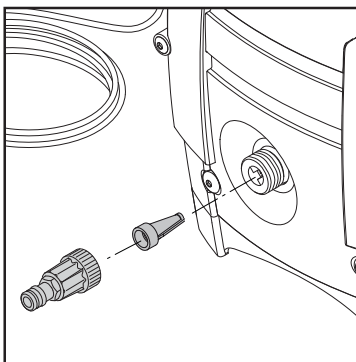
3 Before you start using your pressure washer

3.1 Mounting of trolley handle




1. Place the trolley handle on the machine.
2. Secure the handle by mounting the 2 screws. Use the enclosed hexagon key.

3.2 Mounting of quick coupling



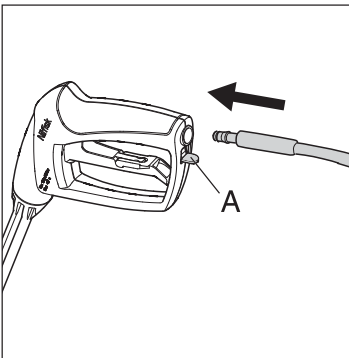
1. Screw the quick coupling tight on to the water inlet (2).

Note: The inlet filter (2a) must always be fitted in the water inlet pipe to filter out sand, limestone and other impurities as these will damage the pump valves.



Caution: Failure to fit the filter will invalidate the guarantee.

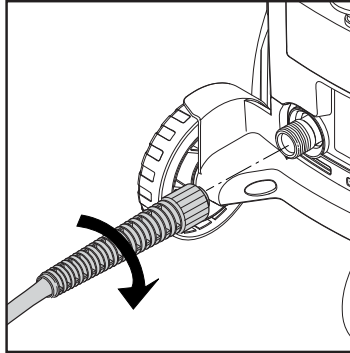
3.3 Mounting of high pressure hose on spray gun



1. Attach the high pressure hose (4) to the spray gun (7). Detach the high pressure hose by pressing the button (A).

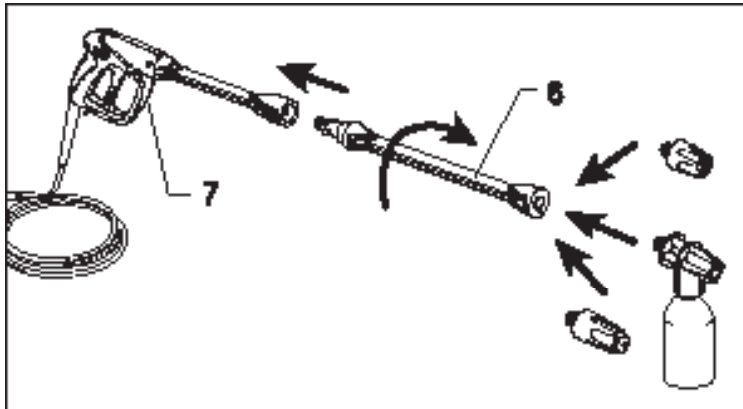
4 Operating your pressure washer

4.1 Connection of high pressure hose



1. Mount the high pressure hose on the outlet (3).

4.2 Mounting of spray lance and Click & Clean nozzles



1. Push the spray lance (6) into the spray gun (7) and twist it until the bayonet coupling locks into position.



Note: The spray lance (6) has a built-in low pressure nozzle that can be used for flushing away dirt.

2. Attach the nozzle.



Warning: When attaching the Click & Clean nozzles, the button on the side of the spray lance (6) should return to the locked position. Ensure that there is an audible "click".



Note: The foam sprayer (10) features a swivel lock, which must be positioned in the hole in the Click & Clean spray lance (6).

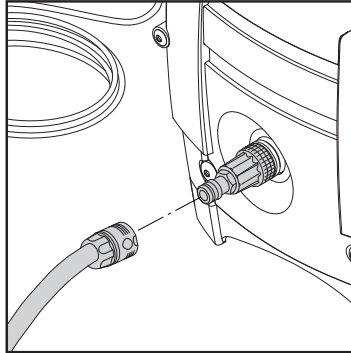
Press the button to detach the Click & Clean nozzle.

4.3 Water connection

An ordinary 1/2" garden hose of **min. 10 m** and **max. 25 m** will be suitable.



NOTE: Connection to the public mains according to regulations.



IMPORTANT! Only use water without any impurities. If there is a risk of silt, sand or sediment in the inlet water (i.e. from your own well), an additional filter (106411231) should be mounted.

1. Let the water run through the water hose before connecting it to the machine to prevent sand and dirt from penetrating the machine.

Note: Check that the filter is fitted in the water inlet pipe and that it is clean and free from debris.

2. Connect the water hose to the water supply by means of the quick connector (inlet water, max. pressure: 10 bar, max. temperature: 40°C).

3. Turn on the water.

4.4 Start and stop of the machine (when connected to a water supply)



The spray lance is affected by a thrust during operation - therefore always hold it firmly with both hands. **IMPORTANT: Point the nozzle at the ground.**

1. Check that the machine is in upright position.

NOTE: Do not place the machine in tall grass!

2. Release the trigger lock (7a).

3. Activate the trigger of the spray gun and let the water run until all air has escaped from the water hose.

4. Press the Start/stop switch "I" (1).

5. Activate the trigger of the spray gun.

Always adjust the distance and thus the pressure of the nozzle to the surface, which is to be cleaned.

Do not cover the machine during operation or use it in a room without adequate ventilation !



Note: If the machine is left or not used for 5 minutes, it must be switched off on the start/stop switch "O" (1):

1. Press the start/stop switch "O".

2. Disconnect the electrical plug from the socket.

3. Shut off the water supply and activate the trigger to relieve the machine of pressure.

4. Lock the spray gun (7a).

When releasing the trigger of the spray gun, the machine automatically stops. The machine will start again when you re-activate the spray gun.

4.5 Start the machine (when connected to open containers (suction mode))

The washer can draw water from a rain water tank or bucket as an example. The hose for the water supply must not be too long, approx. 5 m.

Make sure that the water tank is not placed on a lower level than the machine.

Use an external filter if the water contains impurities.

1. Make sure that the water hose is filled completely with water before connecting to the machine. Place the entire hose in a tank or bucket. To

avoid water spillage, crimp the water inlet hose down in the water and then connect the hose to the machine with the quick coupling and finally uncrimp the water inlet hose.

2. Turn the start/stop switch to position "I".
3. Activate the trigger of the spray gun with lance and nozzle removed and let the water run, until the air has escaped from the water hose and the pump.
4. Mount spray lance and nozzle.

5 Fields of application and working methods

5.1 General

Efficient high pressure cleaning is achieved by following a few guidelines, combined with your own personal experience of specific cleaning tasks. Accessories and detergents, when correctly chosen, can increase the efficiency of your pressure washer. Here is some basic information about cleaning.

5.1.1 Detergent and foam

Foam or detergent should be applied onto dry surfaces so that the chemical product is in direct contact with the dirt. Detergents are applied from bottom to top, for example on a car bodywork, in order to avoid "super clean" areas, where the detergent collects in higher concentration and streams downwards. Let the detergent work for several minutes before rinsing but never let it dry on the surface being cleaned. **Note:** It is important that the detergents do not dry up. Otherwise the surface that has to be cleaned can be damaged.

5.1.2 Mechanical effect

In order to break down tough layers of dirt, additional mechanical effect may be required. Special wash brushes offer this supplementary effect that cuts through dirt (especially by car washing).

5.2 Typical fields of application

Below you will find a description of a lot of cleaning tasks which can be solved by a pressure washer from Gerni in association with accessories and detergents.

Task	Accessories 'Click & Clean'	Cleaning method
Car	Car nozzle, auto brush, underchassis nozzle, Foam sprayer, neutral car wash	<ol style="list-style-type: none"> 1. Apply neutral car wash with the foam sprayer. Always start from the bottom and work upwards. Let neutral car wash act for approximately 5 minutes. 2. Wash the car with the car nozzle, which has been optimized for quick and gentle cleaning of enamelled surfaces (the jet is wider and not so sharp). Start at the front of the car and work backwards to avoid water from entering the car via the door seals. 3. Use the brush for removal of traffic film which is not removed by the nozzle. If the car is very dirty, apply neutral car wash again. 4. Attach the undercarriage nozzle and clean undercarriage and wheel arches. 5. Remove water from the surface of the car with the squeegee on the car brush. Make sure that all grains of sand etc. have been removed before using the squeegee. Wipe with a wash leather where the squeegee cannot reach.
Flagstones, concrete floors and other hard surfaces	Powerspeed nozzle, neutral detergent Patio Cleaner	Wash towards outlets or the like. On surfaces with moss or algae you may start by applying neutral detergent with the foam sprayer. Wash before the soap dries. Another more effective and quicker method is to use the Patio Cleaner. Thus you will also avoid splashes.
Garden furniture, wood	Neutral detergent Garden brush	Apply neutral detergent and wash before the soap dries. NOTE: Use the garden brush to clean off the dirt.
Brick-work, Wood work	Powerspeed nozzle, neutral detergent, Patio Cleaner	Same method as for flagstones, but be careful - bad joints and wood may be damaged by high pressure. You may choose only to use the Tornado® nozzle. Adjust the distance (pressure) to the quality of the joints and the wood. Patio Cleaner can also be used on vertical surfaces.
Gutter	Underchassis spray lance	Wash the gutter with the nozzle. Always wash towards downpipes. Beware not to spray under the roofing.
Cleaning of drain pipes, out-lets, down pipes etc.	Tube cleaner	Push the tube cleaner approx. ½ m (to mark) into a tube or drain and activate the trigger of the spray handle. The nozzle opening turning backwards will pull the cleaner through the tube. The nozzle will break down the „plug“ and flush the dirt backwards.
Rust, paint	Water/sandblasting equipment	Mount the water/sand blasting equipment and rust and paint is efficiently and quickly removed. Beware not to damage the surface to be sandblasted.
Green- house	Tornado nozzle, brush, neu- tral detergent	Wash with high pressure and maybe a brush. You may use neutral detergent to remove moss and algae.
Garden tools, lawn mover	Tornado nozzle, Powerspeed nozzle, degreaser	Rinse the worst dirt off with the nozzle. Apply degreaser with the foam sprayer and let it act for approx. 5 min. Wash with the nozzle.

6 After using your pressure washer

6.1 Storing the washer



The machine should be stored in a frost-free room!

Pump, hose and accessories should always be emptied of water prior to storing as follows:

1. Stop the machine (press the start/stop switch “O” (1) and detach water hose and accessory).
2. Restart the machine and activate the trigger. Let the machine run until no more water runs through the spray gun.

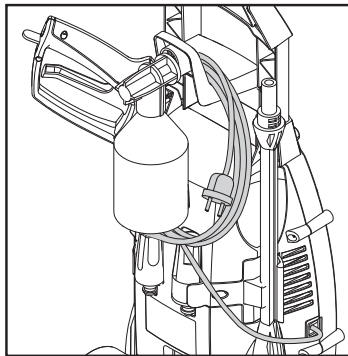
3. Stop the machine, unplug and wind up hose and cable.
4. Place spray handle, nozzles and other accessories in the holders of the machine.

Should the machine by mistake be frozen, it will be necessary to check it for damage.

NEVER START-UP A FROZEN MACHINE.

Frost damages are not covered by the guarantee!

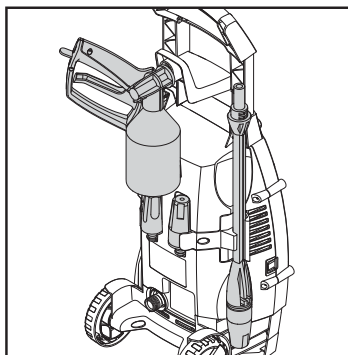
6.2 Winding up of electric cable and high pressure hose



To avoid accidents, the electric cable and the high pressure hose should always be wound up carefully around the handle.

Wind up the cable on the appropriate hook.

6.3 Storage of accessories



The spray handle, lance and nozzles can be stored on the pressure washer.

7 Maintenance



WARNING! Always disconnect the electrical plug from the socket prior to maintenance or cleaning.

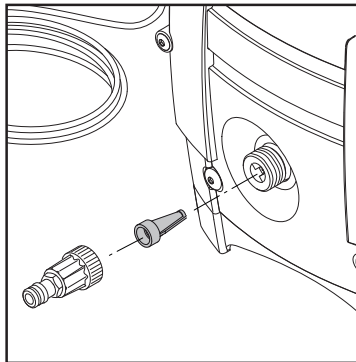
To ensure a long and problem free working life, please take the following advice:

- Wash off water hose, high pressure hose, spray lance and accessories before mounting.

- Clean the connectors of dust and sand.
- Rinse the detergent spraying attachment after use.
- Clean the nozzles.

Any repair should always be made in an authorized workshop with original spare parts.

7.1 Cleaning of water inlet filter

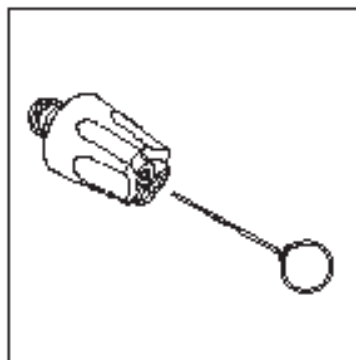


Clean the water inlet filter regularly once a month or more frequently according to use. Carefully loosen the filter with a screwdriver and clean it. Check that it is intact before re-mounting it.

The inlet filter must always be fitted inside the water inlet pipe to filter out sand, limestone and other impurities, as they will damage the pump valves.

CAUTION: Failure to fit the filter will invalidate the guarantee.

7.2 Cleaning of nozzle



A clogging up in the nozzle causes a pump pressure which is too high. This is why cleaning is required immediately.

1. Stop the machine and disconnect the nozzle.
2. Clean the nozzle. **IMPORTANT:** The cleaning tool (11) should only be used when the nozzle is detached!
3. Flush the nozzle backwards with water.

7.3 Cleaning of machine vents

The machine should be kept clean so as to let cooling air pass freely through the machine vents.

7.4 Greasing of couplings

To ensure easy connection and that o-rings do not dry up, the couplings should be greased regularly.

8 Trouble-shooting

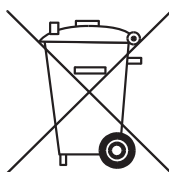
Please ensure that you, you should check the following before contacting the Gerni service organization:

Symptom	Cause	Recommended action
Machine refuses to start	Machine not plugged in Defective socket Fuse has blown Defective extension cable	Plug in machine. Try another socket. Replace fuse. Switch off other machines. Try without the extension cable.
Fluctuating pressure	Pump sucking air	Check that hoses and connections are airtight.
Machine stops	Fuse has blown Incorrect mains voltage Thermal sensor activated Nozzle partially blocked	Replace fuse. Switch off other machines. Check that the mains voltage corresponds to specification on the model tag. Leave the washer for 5 minutes to cool down. Clean the nozzle (see section 6.2)
Fuse blows	Fuse too small	Change to an installation higher than the amp. consumption of the machine. You may try without the extension cable.
Machine pulsating	Air in inlet hose/pump Inadequate supply of mains water Nozzle partially blocked Water filter blocked Hose kinked	Allow machine to run with open trigger until regular working pressure resumes. Check that the water supply corresponds to specifications required (see model tag) NB! Avoid using long, thin hoses (min. 1/2") Clean the nozzle (see section 6.2) Clean the filter (see section 6.1) Straighten out hose.
Machine often starts and stops by itself	Pump/spray gun is leaking	Contact your nearest Gerni Service Centre.
Machine starts, but no water comes out	Pump/hoses or accessory frozen No water supply Water filter blocked Nozzle blocked	Wait for pump/hoses or accessory to thaw. Connect inlet water. Clean the filter (see section 6.1) Clean the nozzle (see section 6.2)

In case problems other than the above occur, please phone 1300 733 171 or check our website www.gerni.com.au for your nearest service agent.

9 Further information

9.1 Recycling the washer



Make the old cleaner unusable immediately.

1. Unplug the cleaner and cut the electric cable.

Do not discard electrical appliances with household waste.

As specified in European Directive 2002/96/EC on old electrical and electronic appliances, used electrical goods must be collected separately and recycled ecologically.

Contact your local authorities or your nearest dealer for further information.

9.2 Warranty conditions

Our goods come with guarantees that cannot be excluded under the Australian Consumer Law. You are entitled to a replacement or refund for a major failure and for compensation for any other reasonably foreseeable loss or damage. You are also entitled to have the goods repaired or replaced if the goods fail to be of acceptable quality and the failure does not amount to a major failure.

Gerni high-pressure washers for domestic use are warranted for 2 years from the date of purchase by:

AUSTRALIA:

Nilfisk-Advance Pty Ltd
Unit 1/13 Bessemer Street
Blacktown NSW 2148
Phone: 1300 556 710
E-mail: sales@gerni.com.au

NEW ZEALAND:

Accent Tools Ltd
232 Bush Rd
Albany
Auckland 0632
Phone: 09 968 2610
E-mail:
sales@accent-tools.co.nz

Equipment defects covered by this warranty will be repaired or replaced by one of the service centres of the Gerni organisation. Find your local service agent here:
<http://www.gerni.com.au/>.

If your high pressure washer or accessories are handed in for repair, it must be followed by a description/specification of the fault, and the original purchase receipt, or a copy, must be enclosed.

Packing and postage/carriage is not covered by the warranty.

The benefits under this warranty are in addition to your national law of sale.

Guarantee repairs are made on the following conditions:





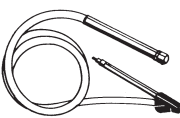

- that defects are attributable to flaws or defects in materials or workmanship. (wear and tear as well as misuse are not covered by the guarantee).
- that the directions of this instruction manual have been thoroughly observed.
- that repair has not been carried out or attempted by other than Gerni-trained service staff.
- that only original accessories have been applied.
- that the product has not been exposed to abuse such as knocks, bumps or frost.
- that only water without any impurities has been used.
- that the high pressure washer has not been used for rental nor used commercially in any other way.

Repairs not covered by the guarantee conditions will be invoiced. (i.e. malfunctions due to **Causes** mentioned in section **Trouble Shooting** of the instruction manual).

Please phone 1300 733 171 (Australia) or 09 9682610 (NZ) for service or warranty assistance only after checking possible causes in the trouble shooting chart on page 14.

9.3 Accessories



Only use original accessories.

Click & Clean Car nozzle		Special nozzle for enameled surfaces. Optimal distance: 30 - 50 cm.
Click & Clean Undershassis nozzle		90° angled special nozzle for undercarriage and wheel arches. Integrated guide shoes.
Click & Clean Brushes		For cars and other surfaces. Available in more shapes.
Extension hose		7 m extension hose increasing the working range.
Drain & Tube cleaner		15 m long tube cleaner for the cleaning of tubes and drains.
Water-sand-blasting equipment		For removal of paint and rust. Sand available from do-it-yourself shops.
Patio Plus		Equipment for quick cleaning of patio/drive/flagstones.

10 Main Technical Data

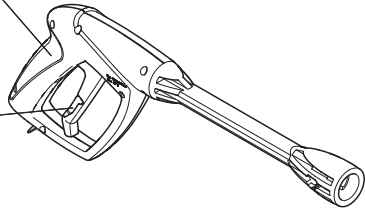
Type		Classic 115.2
Electrical Specification		
Rated voltage	V	230
Rated frequency	Hz	50
Rated power consumption	kW	1.4
Current	A	6.1
Protection class	Class I/ Class II	Class I
Protection degree	IP xx	IPX5
Hydraulic specification		
Rated pressure	MPa/bar	8.0/80
Max. pressure	MPa/bar	11.5/115
Rated water flow	l/min/l/hr	5.2/310
Max. water flow	l/min/l/hr	7.3/440
Max. water inlet pressure	Mpa/bar	1/10
Max. water inlet temperature	°C	40
Max. water inlet temp. suction mode	°C	20
Weight		
Weight	kg	6.6
Hand-arm vibration according to ISO 5349-1:		
Standard nozzle	m/s ²	< 2.5 ±1
Sound pressure level L _{pA} in accordance with ISO 3744	dB(A)	78 ±3
Guaranteed sound power level L _{WA} in accordance with 2000/14/EC	dB(A)	93

11 Declaration

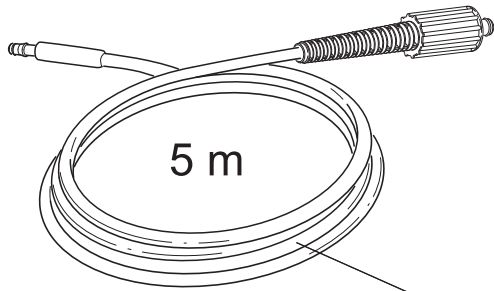
 Declaration of Conformity	
Product:	High Pressure Washer
Type:	Gerni Classic 115.2
Description:	230 V 1~, 50 Hz - IP X5
The design of the unit corresponds to the following pertinent regulations:	EC Machine Directive 2006/42/EC EC Low-voltage Directive 2006/95/EC EC EMC Directive 2004/108/EC
Applied harmonised standards:	EN 60335-2-79
Applied national standards and technical specifications:	IEC 60335-2-79
Name and address of the person authorised to compile the technical file:	Anton Sørensen General Manager, Technical Operations EAPC Nilfisk-Advance A/S Sognevej 25 DK-2605 Brøndby
Identity and signature of the person empowered to draw up the declaration on behalf of the manufacturer:	 Anton Sørensen General Manager, Technical Operations EAPC Nilfisk-Advance A/S Sognevej 25 DK-2605 Brøndby
Place and date of the declaration	Hadsund, September 1, 2011

7

7a



5 m



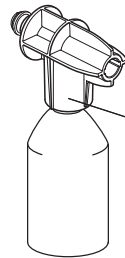
4

6

11



15

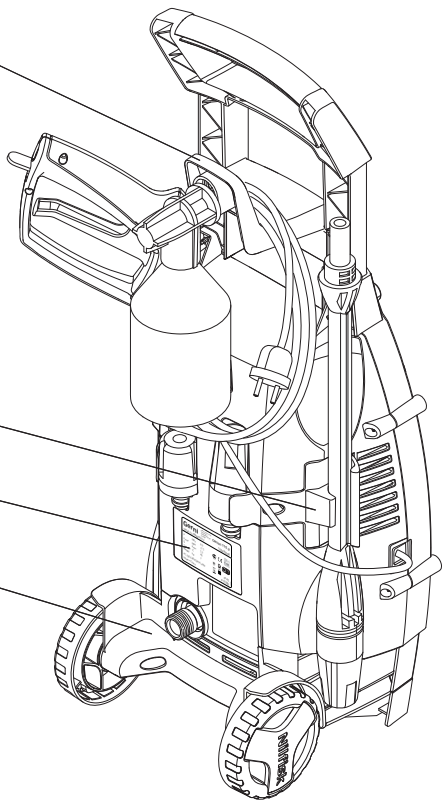


8

9

10

14



12

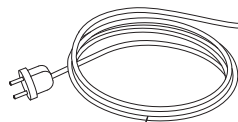
13

3

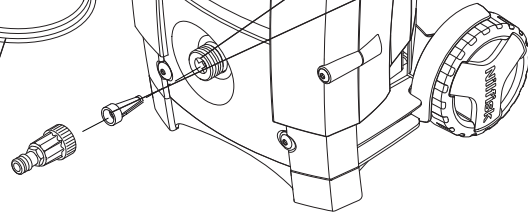
1

2

2a



5



AUSTRALIA:

Nilfisk-Advance Pty Ltd
Unit 1/13 Bessemer Street
Blacktown NSW 2148

Phone: 1300 556 710
E-mail: sales@gerni.com.au

NEW ZEALAND:

Accent Tools Ltd
232 Bush Rd
Albany
Auckland 0632

Phone: 09 968 2610
E-mail: sales@accent-tools.co.nz
