

User Manuel

SmartCam 220

V1.6.20

目录

Product Overview

Network Camera is a new generation of product which combines the traditional camera and network video technology. In addition to have all the conventional cameras features, the machine also comes with a digital video compression controller, and network connection, etc. The video can be viewed from Browser via the LAN and smart phones via the Internet. Users can use mobile phone to view the video remotely and control the camera. It enables the target site monitoring and the video data stored in real-time to achieve the all-round monitoring.

Easy to install and use

The installation only requires plugging the network cable directly into the machine's network port (RJ45). Then you can see the Camera via Windows Explorer and use it by double-clicking directly.

High quality video resolution

The machine adopts the H.264 video compression technology; the video resolution is 720p. The video is distributed real-time via Ethernet to do video streaming job.

An standard network protocol

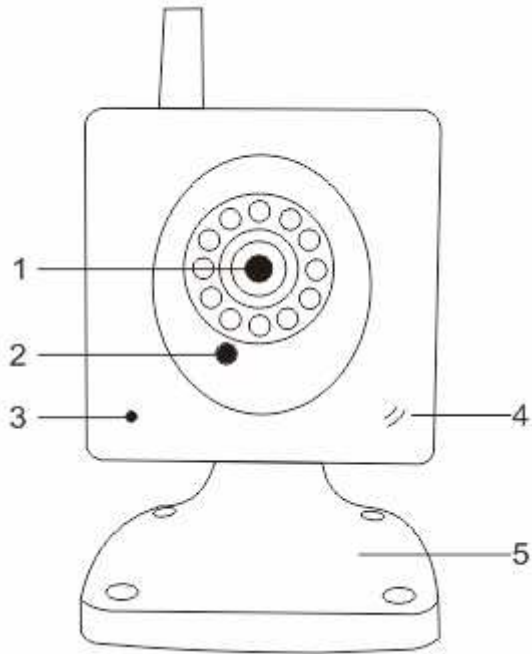
The video transfer is via RTSP/P2P network protocol which is the most suitable for network video transmission.

Applications

The machine transmits real-time video through the network environment; this feature greatly enhances the performance of traditional closed-circuit monitoring system. Users can access the camera from anywhere at any time to watch real-time video or manage the camera. According to this feature the machine can be widely used on: product demonstrations and broadcasting, traffic monitoring, bank monitoring, parking lot control, factory monitoring, video security systems, home security, medical monitoring, etc. It also allows the picture to be sent to the specified E-mail account or FTP server for a pre-defined time or event occurred.

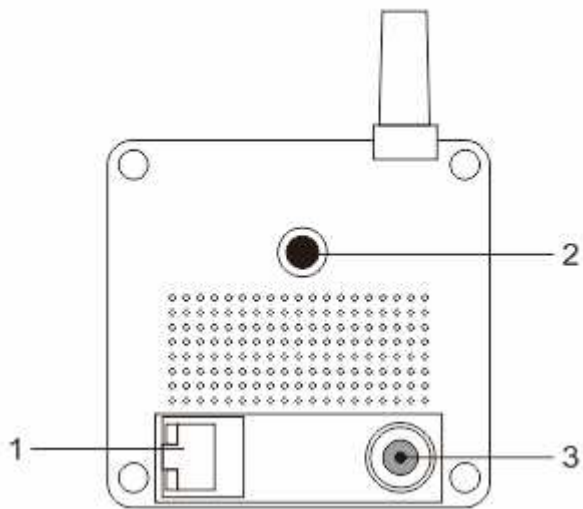
Model: HC8802; GS-130007

Front side :



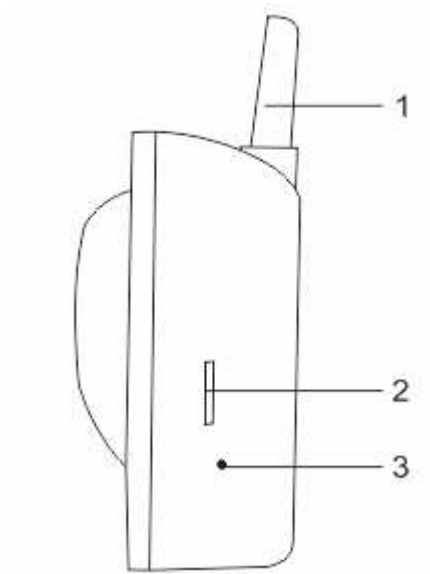
1	Camera	4	Speaker
2	Light Sensor	5	Microphone
3	Power indicator	6	Tripod

Button :



1	Network connector	3	Power connector (5V)
2	Tripod socket		

Right



1	WiFi Antenna	2	TF card slot
3	Reset switch hole		

Mobil phone/Pad Operation:

Download and Install the "Yes icam" APK to smart phone or Pad.

1. If you use Android phone/Pad, please use Google Play to download the APP.
2. If you use Apple phone/Pad, please use Apple store to download the APP.

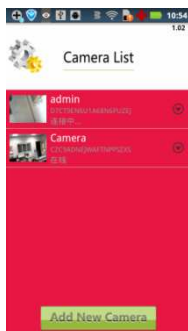


Click the application icon of “Yes iCam” to run this app in smartphone or Pad..



The following picture shows the cameras that were installed already.

1. When you see the status like “online” , this camera is available to connect.
2. When you see the status like “connecting” , APP still try to find the camera.
3. When you see the status like “Offline” , sorry, camera is offline. Please check your camera.



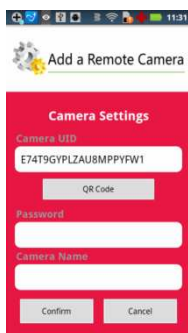
Add new camera :

Click the icon "Add New Camera". The app will search all the cameras on the LAN automatically. If it finds cameras, the screen will be shown as following picture. You can click the camera which you want to add directly, then input the user name and password. (Both user name and password are set to "admin" by default which is case sensitive.)



Add new camera which is in Internet:

Click the "Add Remote Camera" icon to add new camera. Fill the 20 characters of UID number into the UID frame and password (the default value is "admin")



Another method to fill in the UID number is by clicking the "QR Code" icon, then scanning the QR Code directly. (The mobile phone should have installed the QR code scanning software already. If not, please install it.)

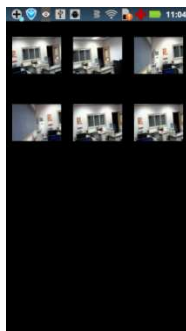


If the camera is on-line right now, you can watch the video and hear the sound by clicking the camera icon. By disable the speaker, you can talk to the camera now (it requires the camera to have the capability to support this feature.)

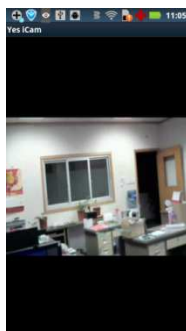


There have three buttons: "folder", "snapshot" and "voice".

Click the "folder" to show the thumbnail list:



Click the thumbnail to display the picture.



Click on the "down arrow" of right side of the camera list to open the Settings screen:

Note: the right column of setting items are not allowed when connection fails or the camera and the device is not in the same network.

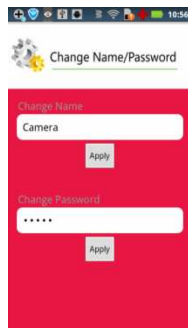


Reconnect: Reconnect to Camera

Delete: Delete Camera

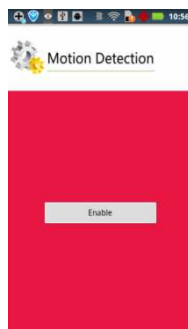
Event Viewer: Event list.

Change Name/Password: Change camera name and password.



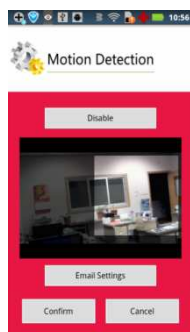
Motion Detection:

Click “Motion Detection”, you could go into video motion detection setup page. Please enable “motion detection” first.

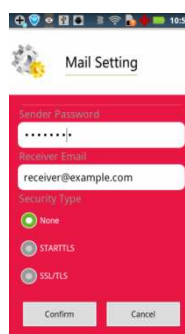
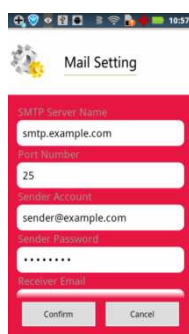


Use the finger to get the range of the motion detection area, then click the "Confirm" button to confirm the setting of motion detection. After confirm, if Camera has microSD inside, camera will do motion record feature automatically.

※※ Important : When motion detection is enable, make sure : disable motion detection, then take out microSD card to protect your video file.



Setup the Email setting if the Email alarm is needed.



Fill into all the required data, then click the "Confirm" button.

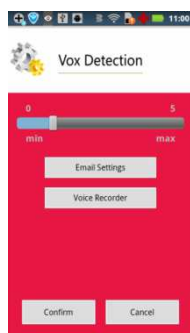
Note: the port number will be different when using different Email server. Please check the Internet for details if you are not sure which one to use.



Record: The setting will take effect when the camera has MicroSD Card.

When press 'Record' button, the camera will enable 24 hours video recording only and

disable other recording scheme like motion recording.



Vox Detection:

Vox detection is the method to detect the volume of sound. When you use the feature, after volume is reached to trigger level. Camera will playback a recording voice and send out event.

Vox : 0 Disable Vox detection

1 : The minimum volume trigger level

5: The maximum volume trigger level

Voice Recorder:

You could push this button to record the voice into camera. Reaching trigger level, camera will playback this recorded voice.

Video Setting:

Flip: Flip the video .

Mirror: Mirror the video.

Video Resolution: QVGA、VGA、HD。

Video bit rate:

QVGA: 192/256/512Kbps

VGA : 1mbps

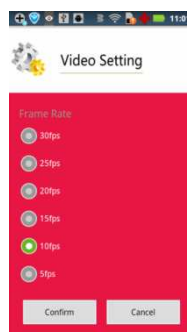
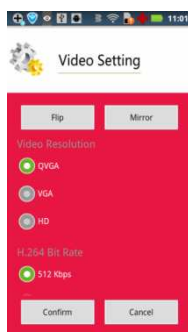
HD : 1 / 1.5 / 2 mbps

Video frame rate:

QVGA : 5/10/15/20/25/30 fps

VGA: 1/3/5/6/8/10/12/15 fps

HD : 1/3/5/6/8 fps



FAQ

Q1: If I could not see Camera status “online”, how could I do ?

A1: Please check :

1. Whether Camera is power-on,
2. LED is green. If Green color is on, it means Camera is OK for internet access

Q2: If I use ethernet cable to connect, it is OK. But when I change to WiFi, the connection is bad. How could I improve ?

A2: Please try to move the location of Camera. It is the poor signal quality for WiFi. Please try to move to the signal quality better for WiFi connection. Or, you could try to modify video setting to QVGA 256kbps 10fps or lower.

Q3: What is QVGA, VGA and HD resolution ?

A3: QVGA is 320*240 resolution.

VGA is 640*480 resolution.

HD is 1280*720 resolution.

Q4: Could I go to office to modify my home camera video setting ?

A4: No, you could only modify camera setting like motion detection, vox detection, and video setting at home (In the same local network to share the same WiFi AP router.) If you go out, it is only viewer for you.

Q5: If I always see the video with mosaics, how could I do ?

A5: Please modify video setting to lower resolution. For example, if you use HD, please try to modify VGA resolution.

Q6 : What is P2P ? Do I need to change anything with my home router.

A6: P2P is a new technique to pass home router. Then, you could feel free to setup and access. There is nothing to do with your home router. Just make sure :

1. Home router with DHCP server feature on. This means : computer could get IP from your router.

Q7: How much bandwidth do I need for upload ?

A7: Camera need to send out data to internet when you want to access video outside. Then, Camera need to have enough bandwidth to upload data. Normally,

1. QVGA, it is better to have 512Kbps uplink bandwidth.
2. VGA : It is better to have 1Mbps uplink bandwidth.
3. HD : It is better to have 2 Mbps uplink bandwidth.

Safety Caution:



■ This marking indicates that this product should not be disposed with other household wastes throughout the EU. To prevent possible harm to the environment or human health from uncontrolled waste disposal, recycle it responsibly to promote the sustainable reuse of material resources. To return your used device, please use the return and collection systems or contact the retailer where the product was purchased. They can take this product for environmental safe recycling.

FCC

This equipment has been tested and found to comply with the limits for a Class B digital device, pursuant to Part 15 of the FCC Rules. These limits are designed to provide reasonable protection against harmful interference in a residential installation. This equipment generates uses and can radiate radio frequency energy and, if not installed and used in accordance with the instructions, may cause harmful interference to radio communications. However, there is no guarantee that interference will not occur in a particular installation. If this equipment does cause harmful interference to radio or television reception, which can be determined by turning the equipment off and on, the user is encouraged to try to correct the interference by one of the following measures:

- Reorient or relocate the receiving antenna.
- Increase the separation between the equipment and receiver.
- Connect the equipment into an outlet on a circuit different from that to which the receiver is connected.
- Consult the dealer or an experienced radio/TV technician for help.

This device complies with Part 15 of the FCC Rules. Operation is subject to the following two conditions: (1) This device may not cause harmful interference, and (2) this device must accept any interference received, including interference that may cause undesired operation.

Any changes or modifications not expressly approved by the party responsible for compliance could void the user's authority to operate this equipment.

To comply with FCC's RF radiation exposure limits for general population, this device must be installed such that a minimum separation distance of 20cm is maintained between the radiator (antenna) and all persons at all times and it must not be collocated or operating in conjunction with any other antenna or transmitter.