



---

# **GEBV SERIES**

User Manual

---

# Contents

<b>1</b>	<b>Notes .....</b>	<b>- 1 -</b>
<b>2</b>	<b>Product Introduction .....</b>	<b>- 2 -</b>
2.1	Production Instruction.....	- 2 -
2.2	Product Feature.....	- 2 -
<b>3</b>	<b>Product Structure .....</b>	<b>- 3 -</b>
<b>4</b>	<b>Technical Parameters .....</b>	<b>- 6 -</b>
<b>5</b>	<b>OSD Menu tree .....</b>	<b>- 7 -</b>
<b>6</b>	<b>Product Installation .....</b>	<b>- 8 -</b>
6.1	Note .....	- 8 -
6.2	Installation Tools and Information .....	- 8 -
6.3	Installation Method.....	- 8 -
6.4	Connection .....	- 10 -
	<b>Appendix: FAQ .....</b>	<b>- 11 -</b>

---

# 1 Notes

---

## **Read this manual carefully before use.**

- 1)**To reduce the risk of electric shock, do not open the machine and maintain by yourself, please consult a professional service person.
- 2)**To prevent fire or shock hazard, use the power after safety certification, the input voltage, current, voltage polarity and operating temperature must meet the requirements of this camera.
- 3)**Please note the operating temperature and environmental requirements of the camera, avoid too low or too high temperature. General operating temperature range of  $-10^{\circ}\text{C} \sim +50^{\circ}\text{C}$  (Fahrenheit temperature is  $14^{\circ}\text{F} \sim 122^{\circ}\text{F}$ ). Avoid flooding and rain, minimize dust and moisture erosion, otherwise camera would be damaged.
- 4)**Cameras in use should avoid direct sunlight, glare, otherwise the sensor will be damaged.
- 5)**Do not touch the sensor surface, if any foreign objects exists, a cotton swab or lens paper can be used to wipe, if it is difficult to remove, a neutral detergent diluted with water would be useful. Do not use corrosive solution.
- 7)**In order to make the camera work smoothly and obtain a satisfactory image, the power cord and video connection can not be too long, otherwise the increase of line loss will lead to the inadequate magnitude of the operating voltage of the camera or video signal Inadequate.
- 8)**In order to prevent the camera from falling, please do not place the camera on an unstable bracket, base or other unstable objects. Otherwise it will lead to injury, at the same time, the camera will be damaged.
- 9)**The camera cannot be placed near the radiator or heating resistor.

---

# 2 Product Introduction

---

## 2.1 Production Instruction

This series of cameras are adopted CMOS image sensor with high performance, which provides mega pixel resolution and supports HD video. Moreover, it supports monitoring signals coaxial transmission. Transmission distance can reach more than 300M based on 75-3 coaxial cable. The series can support both TVI/CVBS 960H output as well as realize high speed, long distance and real time video transmission.

## 2.2 Product Feature

1. 1/2.7" 2M CMOS Sensor
2. AHD 1080P 25fps/30fps
3. HDCVI, HDTVI, AHD, CVBS format output
4. Low Illumination ,  
0.01LUX@(F1.2, AGC ON)
5. Auto Whitebalance
6. Auto Electronic Shutter
7. Auto Gain Control
8. 2DNR
9. DWDR
10. English , Chinese, Spanish, Italian OSD menu

---

# 3 Product Structure

---

The followings are the dimensions of some products. No further notice for the upgraded version.

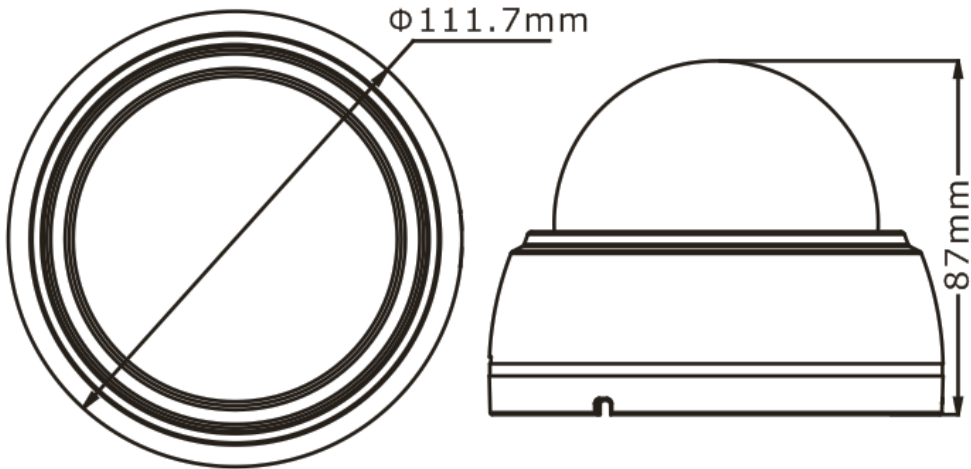


Photo 3-1 Indoor Dome Camera

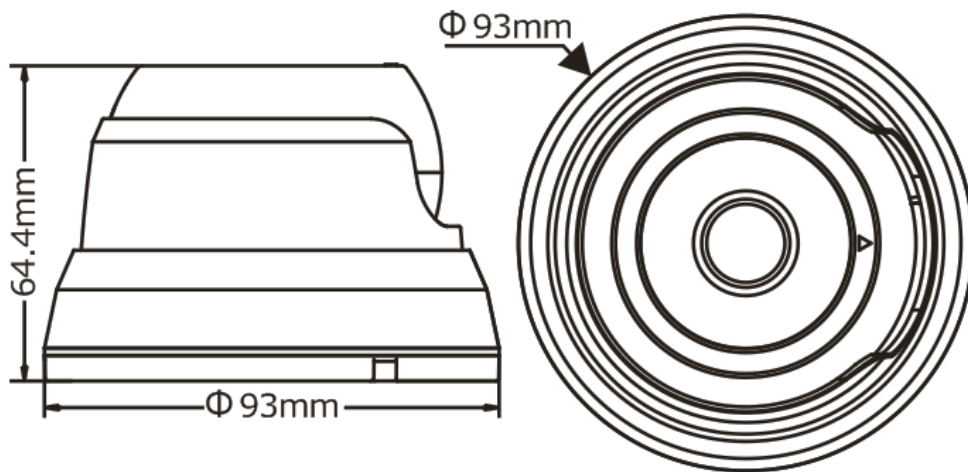


Photo 3-2 Indoor IR Dome Camera

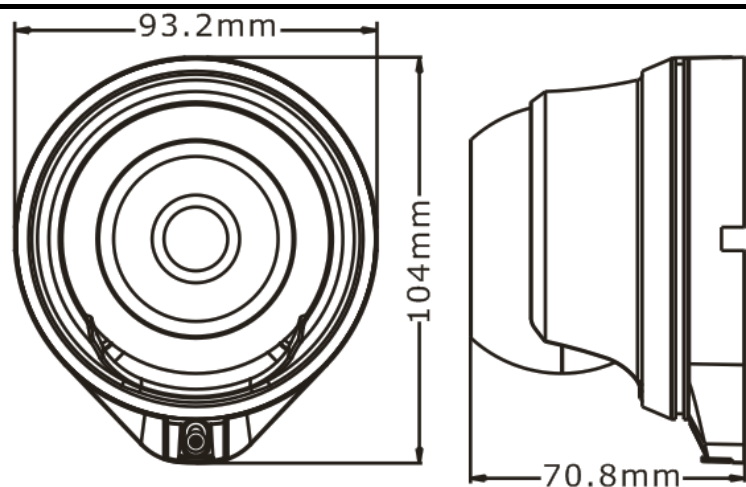


Photo 3-3 Outdoor IR Dome Camera

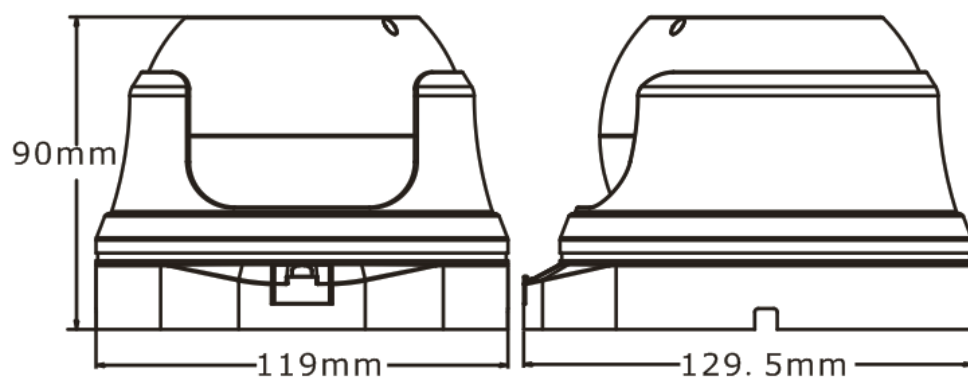


Photo 3-4 Outdoor Vari-focal Dome Camera

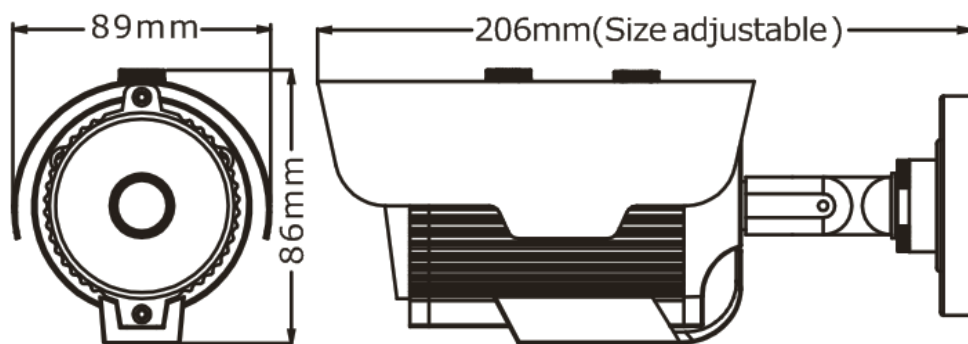


Photo 3-5 Outdoor IR Bullet Camera

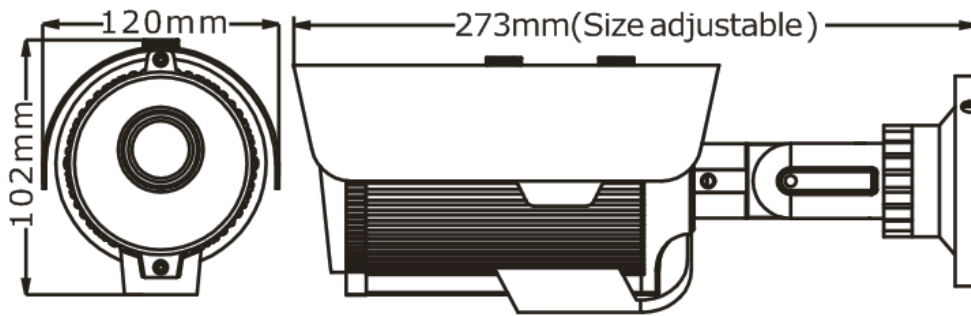


Photo 3-6 Outdoor Vari-focal Bullet Camera

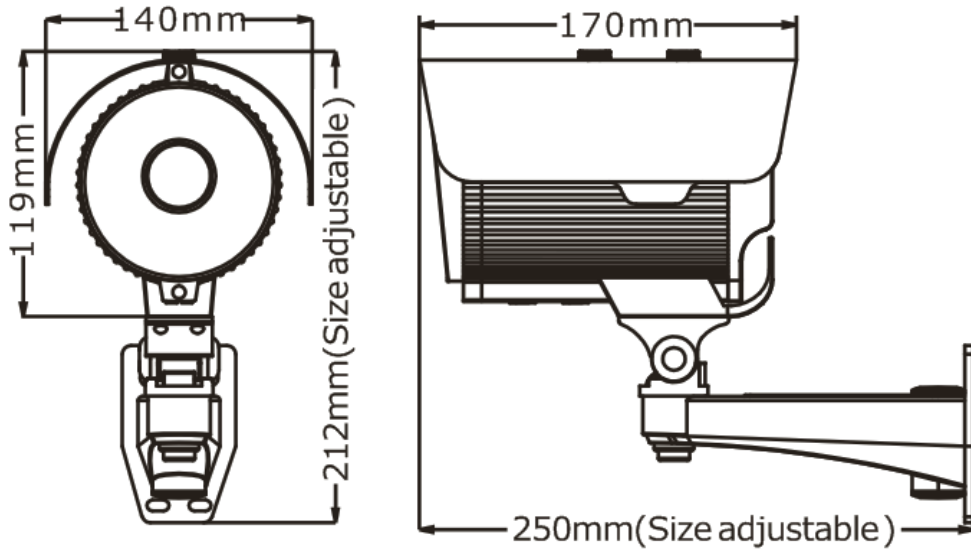


Photo 3-7 Outdoor Vari-focal Bullet Camera

# 4 Technical Parameters

I M A G E	Signal System	NTSC / PAL
	Image Sensor	1/2.7" 2MP CMOS Sensor
	Active array size	1936(H) x 1096(V)
	Synchronization	Internal synchronization
	Video OutPut	CVI,TVI,AHD (1080P@25fps, 1080P@30fps) CVBS (1280x576 , 1280x480)
	S/N Ratio	39dB(AGC OFF)
	Min. Illumination	Color: 0.1Lux@(F1.2, AGCON) B&W: 0.01Lux@(F1.2, AGCON)
F U N T I O N	Day & Night	Ext / Auto / Color / B&W
	White Balance	Auto / Manual
	NR	2DNR
	DWDR	On / Off
	Shutter	Auto
	AGC	Auto
	OSD	English / Chinese / Spanish / Italian
Spe cific ation s	Working Temperature/Humidity	-10°C ~60°C, Humidity 90% or less (non-condensing)
	Storage Temperature	-20°C ~+60°C
	Power Supply	DC12V ± 10%



# 5 OSD Menu tree

MAIN MENU		SECOND MENU
AE	BRIGHTNESS	1 ~ 20
	EXPOSURE MODE	GLOBE
		CENTER
		BLC LV 1~8 FLC
	RETURN	
WB	MODE	ATW MWB RGIAN 1 ~ 16 BGAIN 1 ~ 16
	RETURN	
DAY-NIGHT	MODE	EXT / AUTO / COLOR / B&W
	RETURN	
VEDIO SETTING	CONTRAST	1 ~ 10
	SHARPNESS	1 ~ 20
	COLOR GAIN	1 ~ 20
	DNR	1 ~ 15
	FORMAT	PAL / NTSC
	DWDR	ON / OFF
	RETURN	
LANGUAGE	ENGLISH CHINESS SPANISH ITALIAN	
RESET		
SAVE & EXIT		
EXIT		

---

# 6 Product Installation

---

## 6.1 Note

- 1) Make sure the unit is powered off before installation.
- 2) Check power supply voltage consistent with the electric voltage to prevent voltage unworthy, resulting in damage to the device.
- 3) Do not use in the environment beyond the boundaries of the temperature, and maintain good ventilation to prevent the rain in order to reduce the risk of fire or electric shock.
- 4) The installation and maintenance of this product should be professional, please do not in any way to remove or modify the equipment; can only use the required accessories of manufacturers. Problems caused by unauthorized repair are at your own risk.

## 6.2 Installation Tools and Information

Prepare the required engineering data and instructions. Before installation please prepare the following tools and instrumentation: A straight or a Phillips-head screwdriver, multi-meter, scissors, needle nose pliers, tape measure, pencil and so on.

## 6.3 Installation Method

1. Check the equipment whether it is damaged.
2. Mounting bracket or base.
  - ① If the cement wall, install the expansion screws (expansion screw holes need stand or base hole), and then mount

---

bracket or base.

② If the wooden wall, use self-tapping screws to mount.

### 3. Mounting the camera

#### a. Dome Camera

Adjust the lens position and make it aim at the monitoring points and present a clear picture, manually fix lens location and adjust the hemisphere cover. Re-examine the screen whether the character meets the requirement. Tighten the hemisphere cover.

#### b. Box Camera

Adjust the body so that the lens aims at the monitoring points and presents a clear picture. Tighten the screws, to ensure that it does not move.

**Installation method above is for reference only, the specific installation, please be kind.**

---

## **Note:**

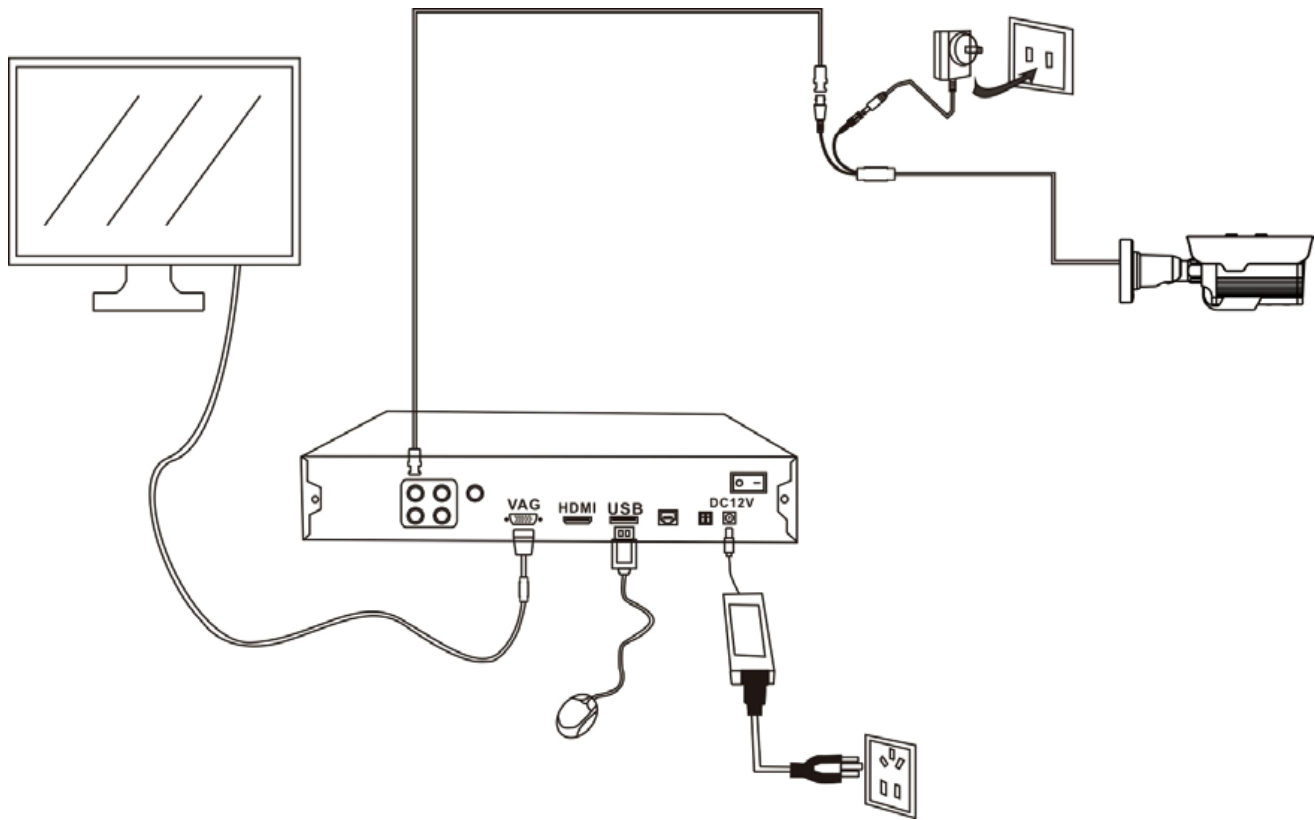
**The wall needs to bear at least 3X weight of bracket (base) and camera.**

---

---

## 6.4 Connection

Connection as show in the figure below



---

## Appendix: FAQ

---

**Q:** No picture with power on

**A:** It may result from abnormal power supply. Please check if the power supply voltage and its polarity are correct. Besides, please confirm if wires connection and monitors are normal.

**Q:** Unclear image output

**A:** It is caused by incomplete adjustment of the lens back focus. Loose the fixed screw of the lens until it turns clear. If not, please check if the lens is in good condition, or the lens surface and sensor surface exists foreign objects. If exists, it can be wiped by degreasing cotton swab or lens paper.

**Q:** Horizontal interference fringes on image

**A:** This phenomenon is generally caused by too strong hum bar of power supply, which needs to be filtered out. It may also be related to the used monitor or peripheral devices.

**Q:** Constantly change of the ground color of image

**A:** This phenomenon is caused by color scrolling, which is mainly due to alternating electromagnetic field of fluorescent lamp, and the inherent phenomenon of camera. It can be weakened with two methods: one is to reduce the usage of fluorescent lamp. The other is to enlarge the distance with the camera. To overcome it thoroughly, please select LL synchronization camera.



**GENIE CCTV LTD.**

CCTV House, City Park, Watchmead, Welwyn Garden City, Hertfordshire, AL7 1LT

Tel: +44 (0) 1707 330541 Fax: +44 (0) 1707 330543

**[www.geniecctv.com](http://www.geniecctv.com)**

Edition. December 2016