

Operator's Instructions



DOWNDRAFT TABLE

Model No. **351.221050**

CAUTION: Read all instructions and warnings before operating. Save these instructions! Read all instructions!

WARRANTY

FULL ONE YEAR WARRANTY

If this product fails due to a defect in material or workmanship within one year from the date of purchase, Sears will at its option repair or replace it free of charge. Contact your nearest Sears Service Center (1-800-4-MY-HOME) to arrange for product repair, or return this product to place of purchase for replacement.

If this product is used for commercial or rental purposes, this warranty will apply for 90 days from the date of purchase.

This warranty applies only while this product is used in the United States.

This warranty gives you specific legal rights and you may also have other rights which vary from state to state.

Sears, Roebuck and Co., Dept. 817WA, Hoffman Estates, IL 60179

UNPACKING

Refer to Figure 1 and parts list.

CAUTION: Do not attempt assembly if parts are missing. Use this sheet to order replacement parts.

Check for shipping damage. If damage has occurred, a claim must be filed with carrier. Check for completeness. Immediately report missing or damaged parts to Sears at 1-800-4-MY-HOME (1-800-469-4663).

- Wipe all parts thoroughly with a clean dry cloth.

ASSEMBLY

Refer to Figure 1.

A #2 phillips screwdriver is required for assembly.

- The table comes completely assembled. The dust chute (Key No. 2) needs to be attached to table.
- Place dust chute into hole of table. The welded bead of dust chute faces inside and provides a seal between dust chute and table.
- Secure dust chute with screws (Key No. 3).

OVERALL DIMENSIONS

Dust chute 2½" Dia.
 Height 4½"
 Width 25"
 Depth 15"
 Weight 11 lbs

OPERATION

The Craftsman Downdraft Table is lightweight for easy portability and is designed for use with standard dust collectors (4" to 2½" reducer required - not included). Table features a 2½" dust port and an anti-skid top to provide a stable working surface for sanding. There are four holes (one in each corner) provided to clamp table securely.

CAUTION: To prevent static electricity build-up and shock, connect dust collector ground wire to dust chute screw (Key No. 3).

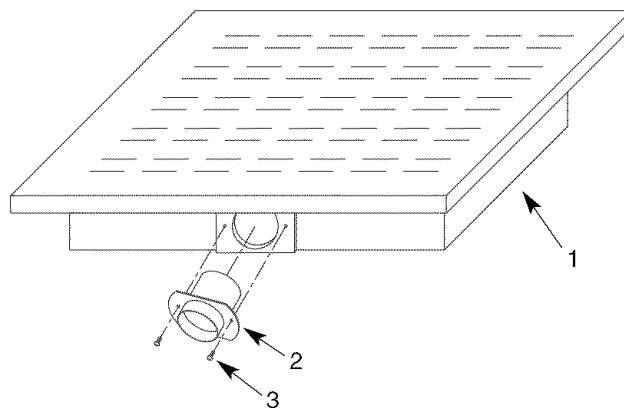


Figure 1 - Replacement Parts Illustration for Downdraft Table

KEY			
NO.	PART NO.	DESCRIPTION	QTY.
1	N/A	Table	1
2	23116.00	Dust Chute	1
3	10372.00	4-1.6 x 12mm Threadforming Screw	2
Δ	23130.00	Instruction Sheet	1

Δ Not Shown

N/A Not available as a part