



# Air Dryer Dehumidifier



CLI-DH8D | Installation & Operating Instructions



## **Congratulations on your purchase of a Cli~Mate Air Dryer Dehumidifier.**

This rotary desiccant dehumidifier is economical, light weight, mobile and easy to operate. Great for use in homes and low temperature rooms which are high in dampness.

---

**Note: Please read through the instructions carefully before using or installing the product and ensure that the manual is kept in a safe place for future reference.**



**The system must be properly installed and located in accordance with the installation instructions before it is used.**

**During the set up of this product if you have any questions / comments / issues DO NOT RETURN TO STORE.  
For service and technical advice on this product, free call 1300 764 325.**

---

### **CUSTOMER HOTLINE: 1300 764 325**

Aquaport Corporation Pty Ltd  
PO Box 81 Findon SA 5023 Australia  
Telephone: 08 8354 0711  
Facsimile: 08 8354 0722  
Email: [aquaport@aquaport.com.au](mailto:aquaport@aquaport.com.au)  
Web: [www.cli-mate.com.au](http://www.cli-mate.com.au)

 /climatebrand  
 @ClimateBrand



Electrical Requirements:  
Australia / New Zealand 240V / 230V 50Hz  
Due to manufacturing alterations product may vary slightly from that pictured.

## SPECIAL PRODUCT INSTRUCTIONS

This appliance is designed for household use only. Do not use this unit outdoors or on wet surfaces.

To achieve highest efficiency, please close all windows and or doors.

The appliance air vents and air grilles must not be obstructed at anytime. Air flow is required for the unit to operate effectively. Place unit in a flat well-ventilated location at least 30cm from wall or other appliances.

Units must be placed on a flat stable surface to reduce possible excessive vibration and noise.

Units must never be placed and operated on an angle as water spillage from reservoir can occur.

Empty the water when water reservoir is full or not in use for a prolonged period.

Recommended operating temperature range is minimum 5 degrees Celsius (RH 41%) and maximum 37 degrees Celsius (RH 98%).

Any servicing other than cleaning and user maintenance will violate the terms of this WARRANTY and warranty will be null and void.

Note: RH = Relative Humidity

## PRODUCT SPECIFICATIONS

### Air Dryer Dehumidifier

System Specifications	CLI-DH8D Air Dryer Dehumidifier
Dehumidification	8 Litres/day
Dehumidifying Capacity	0.33 kg/hour
Air Circulation	120 cbm/hour
Power Consumption	650 watts
Capacity of Water Tank	2.0 L
Noise Level	≤50dB
N.W	6.3 kgs
G.W	7.0 kgs
Suitable Room Size	30 m <sup>2</sup>
Product Dimensions	351 x 180 x 500 mm



## OPERATION CONDITIONS AND SAFETY PRECAUTIONS

Read all instructions carefully.

- All components need to be installed in accordance with the user manual instructions for correct performance of unit.
- This appliance is not intended for use by persons (including children) with reduced physical, sensory or mental capabilities, or lack of experience and knowledge, unless they have been given supervision or instruction concerning use of the appliance by a person responsible for their safety.
- Children should be supervised to ensure that they do not play with the appliance.
- A power outlet is required to operate the appliance. Electrical supply required 220~240V/50Hz.
- Ensure unit is properly grounded.
- To protect against fire, electric shock and personal injury, do not spray water onto the unit, do not immerse cord, plugs, or appliance in water or other liquid. Do not push any objects in the unit air inlet and air outlet exhaust grilles.
- Unplug from outlet when not in use and before cleaning. Never unplug unit with wet hands.
- Do not operate any appliance with a damaged cord or plug or after the appliance malfunctions, or has been damaged in any manner.
- Return appliance to the nearest authorized service facility for examination, repair or adjustment.
- The use of accessory attachments not recommended by the appliance manufacturer may result in fire, electric shock or personal injury.
- Ventilation – The appliance air vents and exhaust grilles must not be obstructed at anytime. Air flow is required for the unit to operate effectively. Place unit in a flat well-ventilated location at least 30cm from wall or other appliances.
- Do not use outdoors.
- Do not use in wet environments e.g. Bathrooms or Showers.
- Do not let cord hang over edge of table or counter, or touch hot surfaces.
- Do not use appliance for other than intended use.
- This appliance should always be used in conjunction with a safety switch.
- Do not place the unit near an oven, heater, radiator, direct sunlight or any other heat source.
- Do not use unit near flammables or fire.
- Ensure unit is on a stable and even flat surface to prevent unit from falling or tipping over and to reduce possible excessive vibration and noise.

- If unit ever falls or tips over when water reservoir is full, immediately unplug the power cord. Ensure unit is dried thoroughly before operation of the unit.
- Do not put fingers or other objects in any openings of the unit.

During the set up of this product if you have any questions/ comments/ issues DO NOT RETURN TO STORE

FOR SERVICE AND TECHNICAL ADVICE ON THIS PRODUCT FREE CALL 1300 764 325

**Unit safety features include:**

1. Automatically switches off when water reservoir is full.
2. System alarm when unit malfunctions.
3. Temperature sensor which automatically switches unit off, in the event the unit malfunctions or is faulty and overheats.
4. Unit fan will continue to run for 4 minutes after unit is switched off to expel heat created during the operation of the unit.

**PRODUCT FEATURES**

The Cli~Mate Air Dryer Dehumidifier is different to Cli~Mate's compressor range of dehumidifiers. Classified as a desiccant dehumidifier, there are key functions and benefits that set it apart from traditional dehumidifiers.

Traditional dehumidifiers lose their moisture absorbing effectiveness as the temperature drops. They work well at higher temperatures above 20°C.

The Cli~Mate Air Dryer Dehumidifier on the other hand, is not affected by temperature and is able to extract the same amount of moisture at any temperature above 5°C.

The Cli~Mate Air Dryer Dehumidifier does not contain a compressor therefore it is lighter, smaller, quieter easier to handle as well as more environmentally friendly.

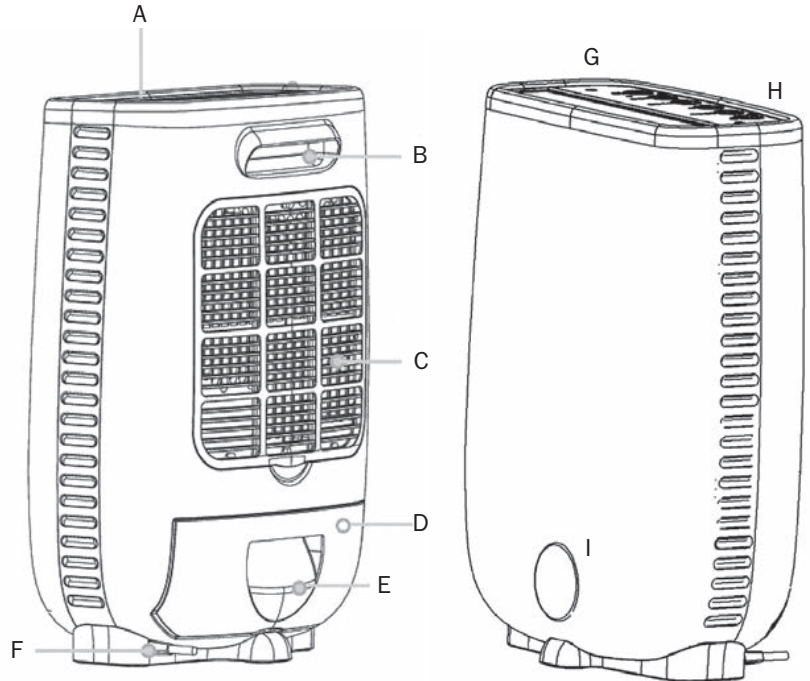
Unit functions include dehumidification and ionization which is suitable for use in cool to cold, damp environments which are susceptible to high dampness, including cellar, laundry and marine environments. During dehumidification, Ionization eliminates indoor odours, creating a fresh and clean living environment.

Units relative humidity setting turns unit automatically off when the moisture in the air reaches the set position and purification setting.

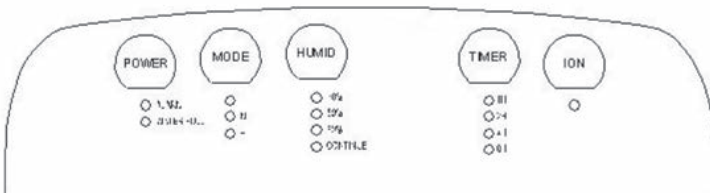
**A. PARTS IDENTIFICATION DIAGRAM**

- A. Dry Air Outlet
- B. Handle
- C. Humid Air Inlet Grille
- D. Continuous Drainage Outlet  
(For hose connection)\*
- E. Water Reservoir
- F. Power Cord
- G. LED Monitor
- H. Control Panel
- I. Water Pane

\* Continuous drainage hose is an extra drainage option; hose does not need to be connected if using the water reservoir to catch condensed water.



## B. CONTROL PANEL & KEY PADS



### POWER

Turns unit ON/OFF.

### MODE

Allows selection of dehumidification speed

- Quiet dehumidification (Low speed)
- Normal dehumidification (Medium speed)
- Fast dehumidification (High speed)

### HUMID

Allows selection of different room relative humidity ratios (40%/50%/60%). Unit is automatically set on continuous mode when turned on.

### TIMER

To set automatic off timer at 1 / 2 / 4 / 8 hour settings.

### ION

Switches ionizer ON/OFF.

## C. OPERATION INSTRUCTIONS

1. Plug unit into power socket and press POWER button to turn unit on, unit will beep three times and LED monitor lights will illuminate indicating current settings. The dehumidification setting is automatically set at continuous.
2. To select the dehumidification mode, press MODE button to select Quiet (L), normal (M), or fast (H) dehumidification respectively. LED light will indicate current setting.

**Note:** When fast dry (H) dehumidification mode is set, humidity ratio setting cannot be set.

3. To select room relative humidity (RH) ratio, press HUMID button to select 40%-50%-60% respectively. When selecting the HUMID ratios this will change the unit operating MODE accordingly (Low/Medium/Continuous).

**Note:** If the ambient relative humidity (RH) is less than 2% of the selected room relative humidity ratio, the unit will automatically switch off.

**Note:** Energy Saving function: When the set room humidity ratio is reached, the units fan will automatically stop after five minutes. In 30 minute cycles, the fan will automatically switch on to detect room humidity.

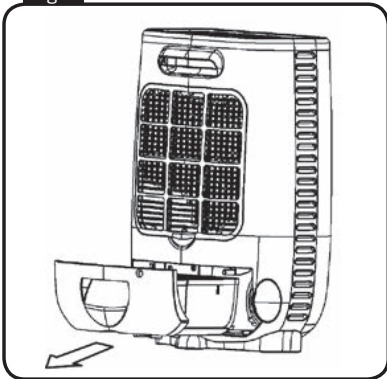
4. To turn on ioniser function, press ION button. ION LED light will remain blinking when ionizing function is operating.
5. To set automatic off timer, press TIMER button until LED light is on desired time 1/2/4/8 hours.
6. As unit operates, condensed water will drain into water reservoir. When water reservoir is full, unit will beep 10 times and WATER FULL indicator light will blink. Unit will automatically stop operating. The water reservoir must be removed and emptied before unit will operate again.

#### **D. PROTECTION OF INTERNAL OVER HEATING**

In the event the unit malfunctions and overheats due to air intake or air outlet being obstructed or blocked by foreign objects, the unit will shut down automatically. Unplug unit from wall socket and allow unit to cool down for a minimum of 5 minutes before operating the unit again.

**Note:** The appliance air vents and air grilles must not be obstructed at anytime. Air flow is required for the unit to operate effectively. Place unit in a flat well-ventilated location at least 30cm from wall or other appliances. Units must be placed on a flat stable surface to reduce possible excessive vibration and noise.

Fig 1

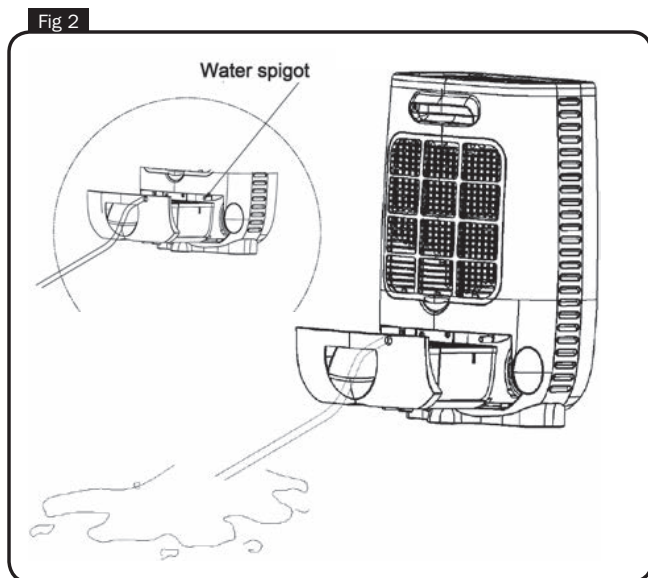




## F. OPTIONAL CONTINUOUS DRAINAGE INSTALLATION

1. Ensure that unit is OFF and unplugged from wall socket.
2. Remove water reservoir and connect water drain hose to spigot, see Fig. 2.
3. The other end of this hose must be placed over a water drain.

**Note:** For the unit to drain correctly, no part of the hose should be above the level of the water spigot.



## G. MAINTENANCE AND REPAIR

Before carrying out any maintenance or cleaning of the unit, make sure that the power to the unit is turned off and power cord is removed from the power socket.

### External cleaning of unit:

- Do not clean unit with any abrasive cleaning agents or solvents.
- Do not apply any water directly to the unit of cleaning.
- Only use a soft clean cloth for all cleaning purpose

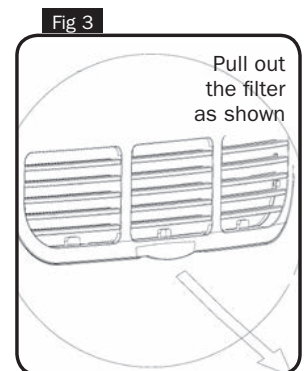
### Cleaning Filter:

Remove Air Intake Grille below to access filter, see Fig. 3. Use a vacuum cleaner or wash in cool water to clean filter. Allow to dry thoroughly before replacing filter and Air Intake Grille in the unit.

Air filter should be cleaned every 3 months for unit to continue to perform as stated.

### Repair:

If the unit or power cord is damaged, stop using immediately and bring the unit to authorised service centre for repair, never attempt to dismantle, repair or modify the unit by yourself. Warranty will be null and void.





## H. TROUBLE SHOOTING

**BEFORE YOU CALL FOR SERVICE PLEASE REVIEW THE TROUBLE SHOOTING TIPS FIRST.**

Problem	Possible Causes	What To Do
No Power	1. Unit is not plugged into wall socket	Check connection to wall socket.
No Air	1. Unit is not plugged into wall socket 2. Humidity ratio (if set) has been reached. 3. Air guide panel not open 4. Water Reservoir is full	1. Check connection to wall socket 2. Wait 30 minutes, turn unit back on. 3. Ensure there are no objects obstructing air guide panel from opening. 4. Empty water reservoir
Unit Overheating	1. Air ventilation around unit not sufficient 2. Air intake grille or air outlet is being obstructed or blocked by foreign objects	1. There must be at least 30cm between unit and wall or other appliances 2. Ensure there are no object obstructing the air intake grille or air outlet

<b>Problem</b>	<b>Possible Causes</b>	<b>What To Do</b>
Loud Noise	<ol style="list-style-type: none"> <li>1. Unit not on a level flat surface</li> <li>2. Faulty internals</li> </ol>	<ol style="list-style-type: none"> <li>1. Reposition or relocate unit onto a flat surface.</li> <li>2. Call customer care.</li> </ol>
Water at base of unit	<ol style="list-style-type: none"> <li>1. Water reservoir no installed correctly</li> <li>2. Continuous drainage hose not connected to spigot properly.</li> <li>3. Continuous drainage hose outlet not over water drain</li> </ol>	<ol style="list-style-type: none"> <li>1. Reinstall water reservoir</li> <li>2. Check hose connection</li> <li>3. Check hose outlet is flowing into water drain.</li> </ol>
Beeping Alarm noise	<ol style="list-style-type: none"> <li>1. Water Reservoir is Full</li> </ol>	<ol style="list-style-type: none"> <li>1. Remove and empty water reservoir</li> </ol>

**Customer care 1300 764 325**



### **Your Aquaport 12 Month Repair or Replacement Warranty**

Aquaport warrants this appliance to the first purchaser and subject to the stated conditions:

Warranty covers any defects in material or workmanship in the manufactured product within the first twelve months from the date of purchase.

To make a warranty claim you must call Aquaport on toll free number 1300 764 325 for instructions. If a product is found to be faulty there is a 90 day return policy from the date of purchase.

For warranty claims outside of 90 days from date of purchase, product will be repaired or replaced at our discretion. Repair or replacement costs of the product will be covered under warranty by Aquaport.

Goods presented for repair may be replaced by refurbished goods of the same type rather than being repaired. Refurbished parts may be used to repair the goods.

Our goods come with guarantees that cannot be excluded under the Australian Consumer Law. You are entitled to a replacement or refund for a major failure and compensation for any other reasonably foreseeable loss or damage. You are also entitled to have the goods repaired or replaced if goods fail to be of acceptable quality and the failure does not amount to a major failure.

### **Conditions Of This Warranty:**

1. This product has been fully installed in accordance with the user manual installation instructions.
2. The warranty extends only to repairing or replacing any component that proves to be defective in material or workmanship.
3. The warranty does not cover defects occasioned by misuse, alterations, accidents, or used for other than the intended purpose.
4. The warranty does not cover damage to the product caused by accident, fire, or floods.
5. Proof of purchase is required for warranty claims.

### **Please keep purchase receipt in a safe place.**

To enable us to register your warranty and provide service should a problem occur, we recommend you register your warranty online at:

**[www.cli-mate.com.au/warranty-and-registration](http://www.cli-mate.com.au/warranty-and-registration)**

### **Aquaport Corporation Pty Ltd**

5 John Street Flinders Park,  
South Australia 5025

**Customer Care 1300 764 325**










**CUSTOMER HOTLINE: 1300 764 325**

Aquaport Corporation Pty Ltd  
PO Box 81 Findon SA 5023 Australia

Telephone: 08 8354 0711

Facsimile: 08 8354 0722

 /climatebrand

 @ClimateBrand

Email: [aquaport@aquaport.com.au](mailto:aquaport@aquaport.com.au)

Web: [www.cli-mate.com.au](http://www.cli-mate.com.au)