



806-005 / 807-005 Audio Selector Panel
SM806 Installation and Operation Manual Supplement

Part #: 806-005, 807-005	Description: Audio Selector Panel
Document #: SM806-005-810-0	Rev: 1.00

Prepared By: Geoff Melton	Checked By: Ken Marshall	Approved By: Robert Davis
---------------------------	--------------------------	---------------------------

COVER SHEET FOR DOCUMENTATION ONLY.
DO NOT PRINT THIS PAGE.

Revisions

Rev.	DCA No.	Date	Description of Change
1.00	W14250	Oct 30, 2014	Initial release

Part #: **806-005, 807-005**
Document #: **SM806-005-810-0**

Description: **Audio Selector Panel**
Rev: **1.00**

This supplement contains installation and operation information that is unique to the 806-005 and 807-005. Installation and operation information common to the 806-000 and 807-000 base units can be found in the Installation and Operation section of the SM806 Installation and Service Manual.

Note: This supplement replaces and obsoletes all previous supplements for the 806-005 and 807-005 Audio Selector Panels.

1 Description

This supplement describes the differences between the 806-000 / 807-000 base units, and the 806-005 / 807-005 derivatives. All changes apply to both the 806-005 / 807-005 variants unless otherwise indicated.

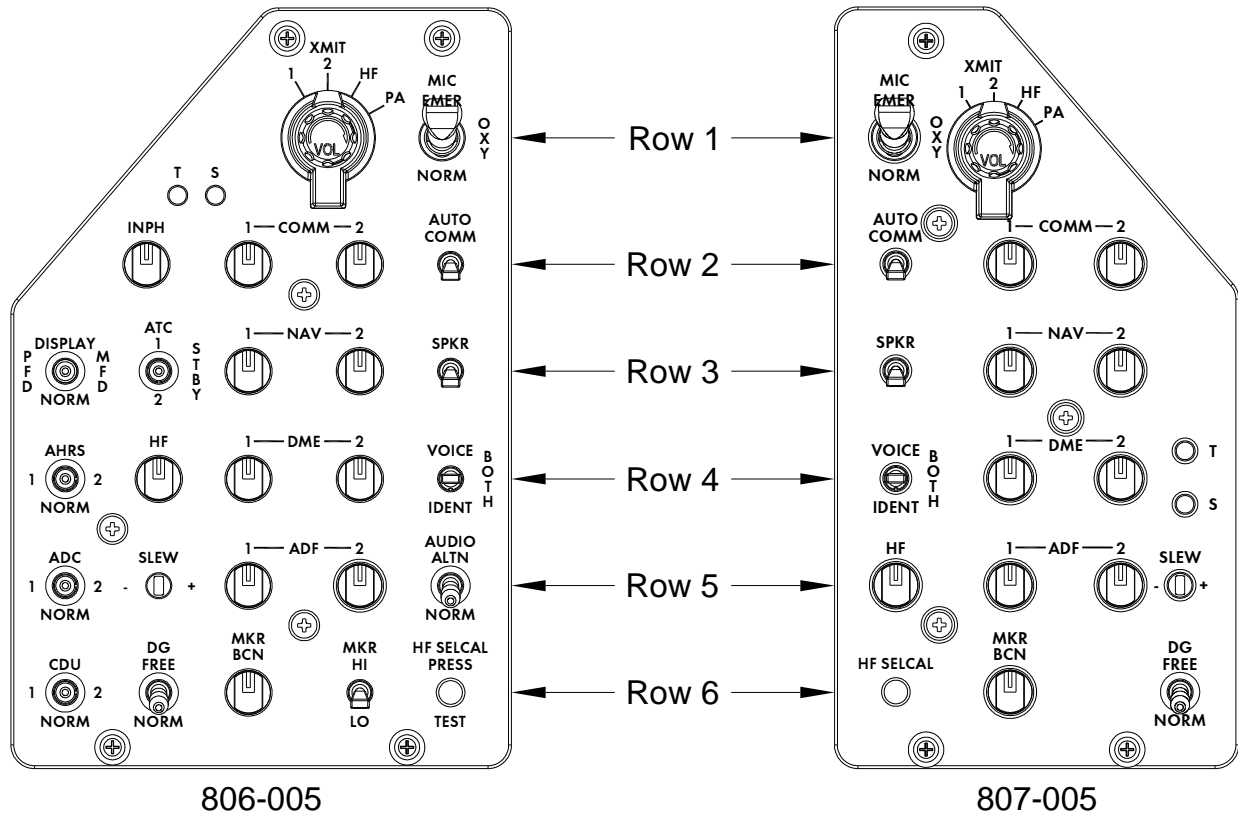


Figure 1 – 806-005 and 807-005 Faceplates



**806-005 / 807-005 Audio Selector Panel
SM806 Installation and Operation Manual Supplement**

1.1 Functional/Cosmetic Changes

The 806-005 and 807-005 are identical to the 806-000 and 807-000 with the following exceptions:

- a) The 806-005 and 807-005 have HF SELCAL indicator/switch added to row 6 and the associated circuitry is added onto the HF SELCAL indicator/switch.

2 Installation

For general Installation information and drawings, see Service Manual **SM806** Section 2. Select the appropriate revision of the drawing for the serial number of the unit under consideration. The drawings specific to this derivative are listed below, and can be found at the end of this supplement.

2.1 Installation Drawings

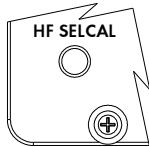
DRAWING	REV.	DESCRIPTION	TYPE	SERIAL #
806-005				
806-005-403-0	1.00	Audio Selector Panel	Interconnect	All
806-005-405-0	1.00	Audio Selector Panel	Connector Map	All
806-005-922-0	1.10	Audio Selector Panel	Mech. Installation	All

DRAWING	REV.	DESCRIPTION	TYPE	SERIAL #
807-005				
807-005-403-0	1.00	Audio Selector Panel	Interconnect	All
807-005-405-0	1.00	Audio Selector Panel	Connector Map	All
807-005-922-0	1.10	Audio Selector Panel	Mech. Installation	All

3 Operation

For general Operation information, see Service Manual **SM806** Section 3 with the following exceptions:

3.1 SELCAL indicator/switch



The HF SELCAL indicator (row 6) indicates when a call from the aircraft's Selective Calling System is being received. On 806-005, a switch also allows the operator to apply a test signal to the SELCAL system.

End of Installation and Operation Manual Supplement

REVISIONS			
REV	DESCRIPTION	DATE	BY

806-005 INSTALLATION NOTES

NOTES:

1. ALL WIRES SHOULD BE 24 AWG UNLESS OTHERWISE SPECIFIED. ALL UNSHIELDED WIRE SHALL BE SELECTED IN ACCORDANCE WITH AC43.13-1B CHANGE 1, PARAGRAPHS 11-76 THROUGH 11-78. WIRE TYPES SHOULD BE TO MIL-W-22759 AS SPECIFIED IN AC43.13-1B CHANGE 1, PARAGRAPHS 11-85, 11-86 AND LISTED IN TABLE 11-11. ALL SHIELDED WIRE/CABLE SHOULD BE IN ACCORDANCE WITH MIL-C-27500.
- △2 DO NOT BUNDLE WITH AUDIO CABLES SEPARATE AFTER EXIT FROM CONNECTOR BACKSHELL AND ROUTE SEPARATELY, SHIELD IF POSSIBLE.
- △3 TIP KEY ALLOWS HAND MIC FUNCTION IN NORM OR OXY MIC JACKS.
- △4 GROUND FOR CONTINUOUS INTERPHONE (INPH) LISTEN.
- △5 NO CONNECTION. THESE PINS ARE CONNECTED INTERNALLY AND ARE USED FOR MANUFACTURER TESTING PURPOSES ONLY, THEREFORE SHALL HAVE NO CONNECTION EXTERNALLY.
- △6 NO CONNECTION. THESE PINS ARE NOT CONNECTED TO ANYTHING INTERNALLY, AND THEREFORE SHALL HAVE NO CONNECTION EXTERNALLY.
- △7 INSTALLER MAY CONNECT AUDIO COMMONS IN ANY MANNER NEEDED TO FACILITATE INSTALLATION (EITHER BUSSED OR DISCRETELY).
- △8 CABLE SPLICES AND SHIELD GROUNDS MAY OR MAY NOT ALTERNATE BETWEEN PILOT AND COPILOT AUDIO SELECTOR PANELS. SPLICE AND GROUND LOCATIONS CAN BE LOCATED AS DEEMED NECESSARY BY INSTALLER TO FACILITATE EASY INSTALLATION OF WIRING. GROUND CABLE SHIELDS AS SHOWN.
- △9 NO CONNECTION. PIN IS CONNECTED INTERNALLY. RESERVED FOR FUTURE USE ONLY. THEREFORE SHALL HAVE NO CONNECTION EXTERNALLY.
- △10 REPRESENTS SYSTEM POWER GROUND.
- △11 REPRESENTS AIRCRAFT STRUCTURE CHASSIS GROUND.

DEFINITIONS:

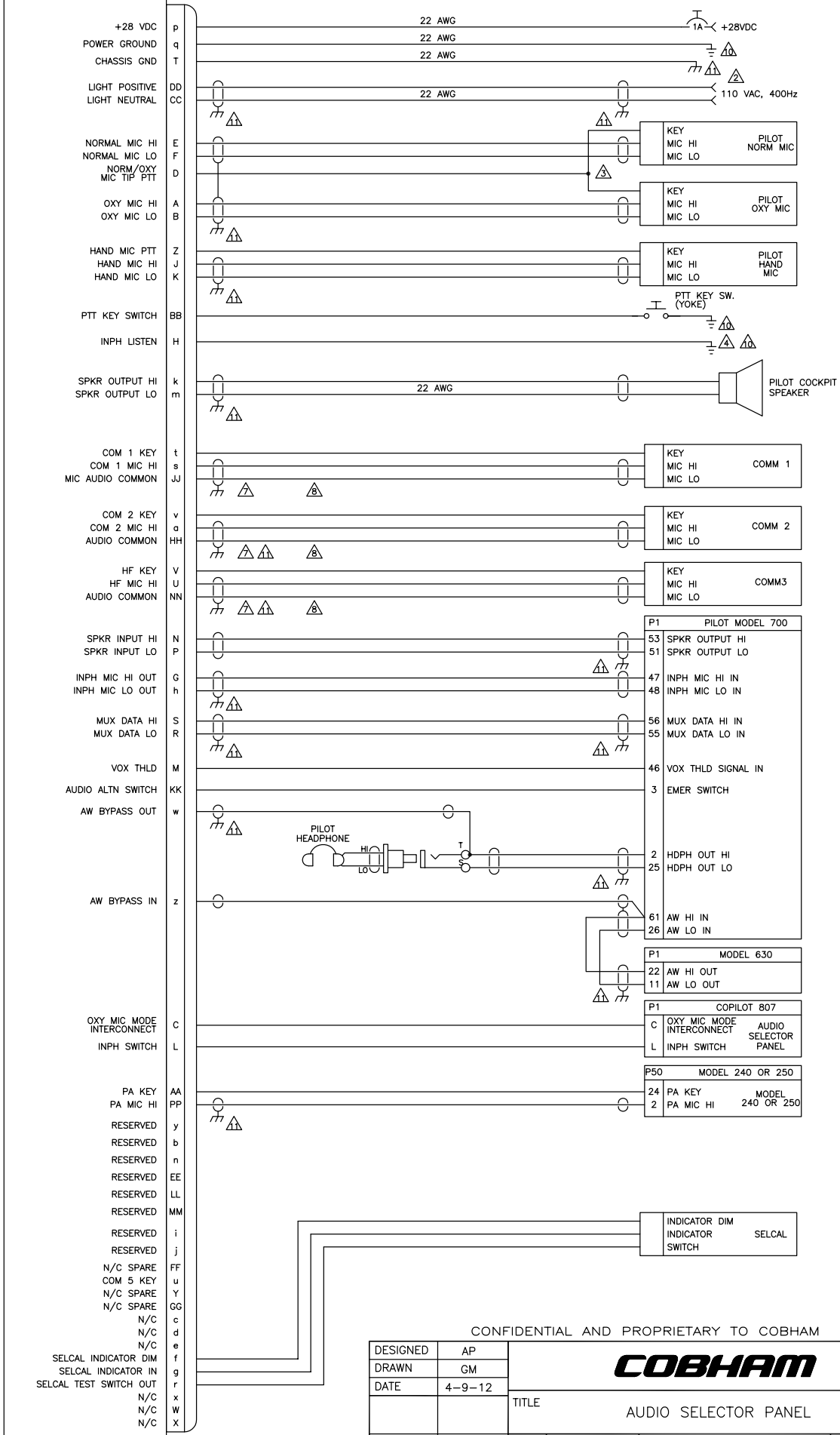
- N/C: NO CONNECTION. THE PIN IS NOT CONNECTED TO ANYTHING INTERNALLY, AND THEREFORE SHALL HAVE NO CONNECTION EXTERNALLY.
- N/C SPARE: NO CONNECTION INTERNALLY, BUT A SPARE WIRE SHALL BE INSTALLED IN THE WIRE HARNESS.
- RESERVED: MAY BE CONNECTED AND USED IN THE FUTURE. THE CIRCUITRY MAY BE PRESENT OR ADDED TO ACTIVATE THE FUNCTION. THE PIN MAY BE USED FOR TEST PURPOSES. THERE IS NO EXTERNAL CONNECTION.
- RESERVED SPARE: RESERVED, BUT INSTRUCTIONS SHALL BE FOLLOWED TO ACTIVATE THE CIRCUITRY. A SPARE WIRE SHALL BE INSTALLED IN THE WIRE HARNESS.

CONFIDENTIAL AND PROPRIETARY TO COBHAM

DESIGNED	AP	COBHAM				
DRAWN	GM					
DATE	4-9-12					
CHECKED		TITLE AUDIO SELECTOR PANEL				
APPROVED		SIZE A	CAGE CODE 1B7G3	PART NO. 806-005	REV. 1.00	SHEET 1/3
FILE	403-0.DWG	DWG. TYPE	INTERCONNECT	DWG. NO.	806-005_403-0	

J1
61 PIN CIRCULAR CONNECTOR
AUDIO SELECTOR PANEL

P1
61 PIN CIRCULAR PLUG
MATING CONNECTOR

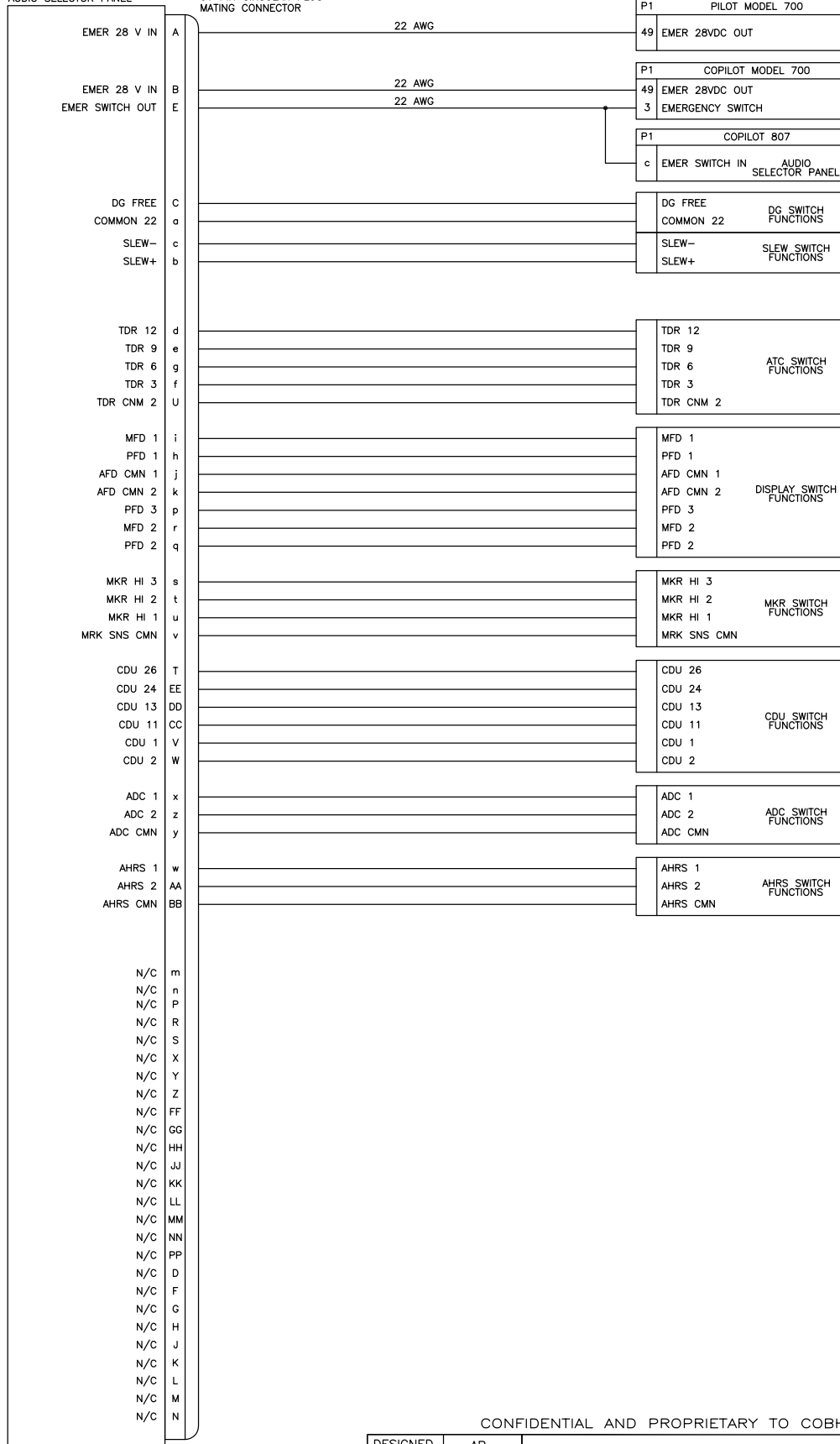


CONFIDENTIAL AND PROPRIETARY TO COBHAM

DESIGNED	AP	COBHAM				
DRAWN	GM					
DATE	4-9-12	TITLE AUDIO SELECTOR PANEL				
FILE	403-0.DWG	SIZE	CAGE CODE	PART NO.	REV.	SHEET
		B	1B7G3	806-005	1.00	2/3
		DWG. TYPE	INTERCONNECT	DWG. NO.	806-005_403-0	

J2
61 PIN CIRCULAR CONNECTOR
AUDIO SELECTOR PANEL

P2
61 PIN CIRCULAR PLUG
MATING CONNECTOR



CONFIDENTIAL AND PROPRIETARY TO COBHAM

DESIGNED	AP	COBHAM				
DRAWN	GM					
DATE	4-9-12	TITLE AUDIO SELECTOR PANEL				
		SIZE	CAGE CODE	PART NO.	REV.	SHEET
		B	1B7G3	806-005	1.00	3/3
FILE	403-0.DWG	DWG. TYPE	INTERCONNECT	DWG. NO.	806-005_403-0	


Mating connectors

Unit Connector	Unit Connector Part No.	Mating Connector Part No.
P1 (61-pin)	Amphenol TVP02RW-25-61P	Amphenol D38999-26WJ61SN

Shielded wire must be used for all audio connections. AWG 20-22 size should be used for the input supply power and power ground; panel lighting supply and return; knob lighting supply and return; and chassis ground. AWG 22-24 size wire should be used for all other connections.

P1-A	OXY MIC HI	P1-i	TEST MODE JUMPER IN
P1-B	OXY MIC LO	P1-j	TEST MODE JUMPER OUT
P1-C	OXY MIC MODE INTERCONNECT	P1-k	SPKR OUTPUT HI
P1-D	NORM/OXY MIC TIP PTT	P1-m	SPKR OUTPUT LO
P1-E	NORMAL MIC HI	P1-n	CHASSIS GND
P1-F	NORMAL MIC LO	P1-p	+28 VDC
P1-G	INPH MIC HI OUT	P1-q	POWER GROUND
P1-H	INPH LISTEN	P1-r	SELCAL TEST SWITCH OUT
P1-J	HAND MIC HI	P1-s	COMM1 MIC HI (1)
P1-K	HAND MIC LO	P1-t	COMM1 KEY (1)
P1-L	INPH SWITCH	P1-u	COMM5 KEY (N/C)
P1-M	VOX THLD	P1-v	COMM2 KEY (2)
P1-N	SPKR INPUT HI	P1-w	AW BYPASS OUT
P1-P	SPKR INPUT LO	P1-x	N/C
P1-R	MUX DATA LO	P1-y	PA VOL
P1-S	MUX DATA HI	P1-z	AW BYPASS IN
P1-T	CHASSIS GND	P1-AA	PA KEY
P1-U	COMM3 MIC HI (HF)	P1-BB	PTT KEY SWITCH
P1-V	COMM3 KEY (HF)	P1-CC	LIGHT NEUTRAL
P1-W	N/C	P1-DD	LIGHT POSITIVE
P1-X	N/C	P1-EE	CHASSIS GND
P1-Y	COMM4 MIC HI (N/C)	P1-FF	COMM4 KEY (N/C)
P1-Z	HAND MIC PTT	P1-GG	COMM5 MIC HI (N/C)
P1-a	COMM2 MIC HI (2)	P1-HH	AUDIO COMMON
P1-b	NORM SWITCH OUT	P1-JJ	MIC AUDIO COMMON
P1-c	N/C	P1-KK	AUDIO ALTN SWITCH
P1-d	N/C	P1-LL	CHASSIS GND
P1-e	N/C	P1-MM	CHASSIS GND
P1-f	SELCAL INDICATOR DIM	P1-NN	AUDIO COMMON
P1-g	SELCAL INDICATOR IN	P1-PP	PA MIC HI
P1-h	INPH MIC LO OUT		

CONFIDENTIAL AND PROPRIETARY TO COBHAM

DRAWN AP 11-30-10	CHECK	APPROVED			
TITLE PINOUT LIST		PART NO. FOR MODEL 806-005	DWG. TYPE PINOUT LIST	SIZE A	
FILE 806-005 405-0.DOC	CAGE CODE 1B7G3	DRAWING NO. 806-005 405-0	SHEET 1 / 3	REV. 1.00	


Mating connectors

Unit Connector	Unit Connector Part No.	Mating Connector Part No.
P2 (61-pin)	Amphenol TVP02RW-25-61PC	Amphenol D38999-26WJ61SC

Shielded wire must be used for all audio connections. AWG 20-22 size should be used for the input supply power and power ground; panel lighting supply and return; knob lighting supply and return; and chassis ground. AWG 22-24 size wire should be used for all other connections.

P2-A	EMER 28V IN	P2-i	MFD 1
P2-B	EMER 28V IN	P2-j	AFD CMN 1
P2-C	DG FREE	P2-k	AFD CMN 2
P2-D	N/C	P2-m	N/C
P2-E	EMER SWITCH OUT	P2-n	N/C
P2-F	N/C	P2-p	PFD 3
P2-G	N/C	P2-q	PFD 2
P2-H	N/C	P2-r	MFD 2
P2-J	N/C	P2-s	MKR HI 3
P2-K	N/C	P2-t	MKR HI 2
P2-L	N/C	P2-u	MKR HI 1
P2-M	N/C	P2-v	MKR SNS CMN
P2-N	N/C	P2-w	AHRS 1
P2-P	N/C	P2-x	ADC 1
P2-R	N/C	P2-y	ADC CMN
P2-S	N/C	P2-z	ADC 2
P2-T	CDU 26	P2-AA	AHRS 2
P2-U	TDR CNM 2	P2-BB	AHRS CMN
P2-V	CDU 1	P2-CC	CDU 11
P2-W	CDU 2	P2-DD	CDU 13
P2-X	N/C	P2-EE	CDU 24
P2-Y	N/C	P2-FF	N/C
P2-Z	N/C	P2-GG	N/C
P2-a	COMMON 22	P2-HH	N/C
P2-b	SLEW +	P2-JJ	N/C
P2-c	SLEW -	P2-KK	N/C
P2-d	TDR 12	P2-LL	N/C
P2-e	TDR 9	P2-MM	N/C
P2-f	TDR 3	P2-NN	N/C
P2-g	TDR 6	P2-PP	N/C
P2-h	PFD 1		

CONFIDENTIAL AND PROPRIETARY TO COBHAM

DRAWN				
AP 11-30-10				
TITLE		PART NO.	DWG. TYPE	SIZE
PINOUT LIST		FOR MODEL 806-005	PINOUT LIST	A
FILE	CAGE CODE	DRAWING NO.	SHEET	REV.
806-005 405-0.DOC	1B7G3	806-005 405-0	2 / 3	1.00

806-005 Front Panel / 700-XXX Pin Association Table


This table describes which 700-XXX pin each 806-005 front panel control affects.

MODEL 806-005 FRONT PANEL CONTROL	MODEL 700-XXX PIN	
COMM 1	P1-12	COMM-1 HI
	P1-11	COMM-1 SDTN HI ⁶
	P1-34	COMM-1/COMM-1 SDTN LO
COMM 2	P1-13	COMM-2 HI
	P1-17	COMM-2 SDTN HI ⁶
	P1-35	COMM-2/COMM-2 SDTN LO
COMM 3 (HF)	P1-8	COMM-3 HI
	P1-19	COMM-3 SDTN HI ⁶
	P1-31	COMM-3/COMM-3 SDTN LO
COMM 4 (NOT INSTALLED)	P1-7	COMM-4 HI
	P1-18	COMM-4 SDTN HI ⁶
	P1-30	COMM-4/COMM-4 SDTN LO
COMM 5 (NOT INSTALLED)	P1-4	COMM-5 HI
	P1-16	COMM-5 SDTN HI ⁶
	P1-27	COMM-5/COMM-5 SDTN LO
NAV 1	P1-42 HI/P1-38 LO	NAV-1 ¹
NAV 2	P1-21 HI/P1-40 LO	NAV-2 ¹
DME 1	P1-15 HI/P1-57 LO	DME-1
DME 2	P1-14 HI/P1-36 LO	DME-2
ADF 1	P1-62 HI/P1-39 LO	ADF-1 ¹
ADF 2	P1-41 HI/P1-37 LO	ADF 2 ¹
MKR BCN	P1-10 HI/P1-33 LO	MKR-1
MKR 2 (NOT INSTALLED)	P1-9 HI/P1-32 LO	MKR-2
INPH	P1-44/P1-45	INPH HI ²
SPARE 1 (NOT INSTALLED)	P1-6 HI/P1-29 LO	SPARE-1
SPARE 2 (NOT INSTALLED)	P1-5 HI/P1-28 LO	SPARE-2
AUDIO ALTN SWITCH	P1-3	EMERGENCY SWITCH
SPKR	P1-53 HI/P1-51 LO	SPKR
XMIT (PA)	P1-20	PA SDTN HI ³
VOL	P1-2 HI/P1-25 LO	HDPH
(T) VOX THRESHOLD TRIMMER	P1-46	INPH SQUELCH (VOX THRESHOLD)

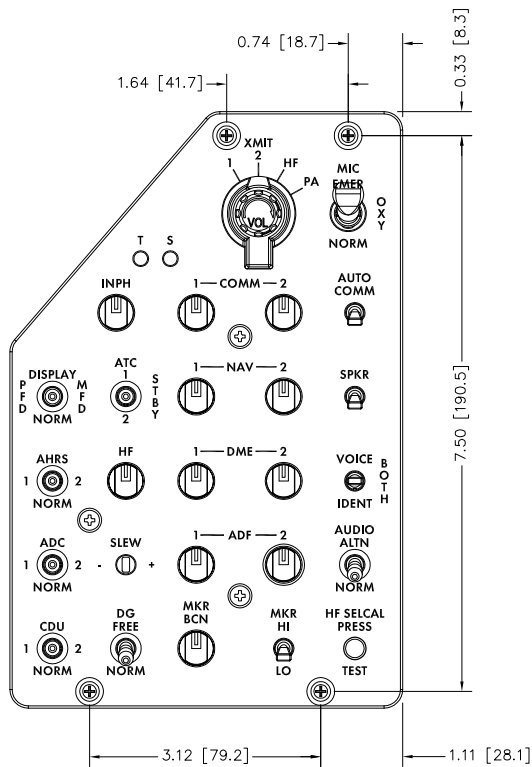
1. VOICE/BOTH/IDENT SWITCH CONTROLS VOICE OR TONE FILTERING FOR NAV1, NAV2, ADF1 AND ADF2 INPUTS OF MODEL 700.
2. HAND MIC PTT AND PTT SWITCH INPUTS TO 806-XXX CAUSE INPH AUDIO OF MODEL 700 TO BECOME MUTED FOR ALL POSITIONS OF XMIT ROTARY SWITCH WHEN TRANSMITTING, EXCEPT PA. P1-44 IS ELECTRICALLY COMMON WITH P1-45 WITHIN THE MODEL 700. THERE IS NO AUDIO LO FOR INPH HI SINCE THE SIGNAL REFERENCE IS THE MODEL 700 POWER GROUND.
3. HAND MIC PTT AND PTT SWITCH INPUTS TO 806-XXX CAUSE PA SIDETONE TO BECOME ACTIVE IF TRANSMITTING TO PA USING XMIT ROTARY SWITCH PA POSITION.
4. OXY/NORM SWITCH WILL ACTIVATE SPKR WHEN SET TO OXY POSITION.
5. AUTO COMM SWITCH WILL CAUSE THE RECEIVER VOLUME CHANNEL THAT IS SELECTED BY THE XMIT ROTARY SWITCH TO BECOME ACTIVE.
6. SIDETONE TRIMMER ON THE 806 FRONT PANEL CONTROLS THE MODEL 700 MASTER SIDETONE VOLUME.

REFER TO MODEL 700 PINOUT FOR ALL OTHER CONNECTIONS OF MODEL 700-[]

CONFIDENTIAL AND PROPRIETARY TO COBHAM


DRAWN					
AP 11-30-10					
TITLE		PART NO.		DWG. TYPE	SIZE
PINOUT LIST		FOR MODEL 806-005		PINOUT LIST	A
FILE	CAGE CODE	DRAWING NO.		SHEET	REV.
806-005 405-0.DOC	1B7G3	806-005 405-0		3 / 3	1.00

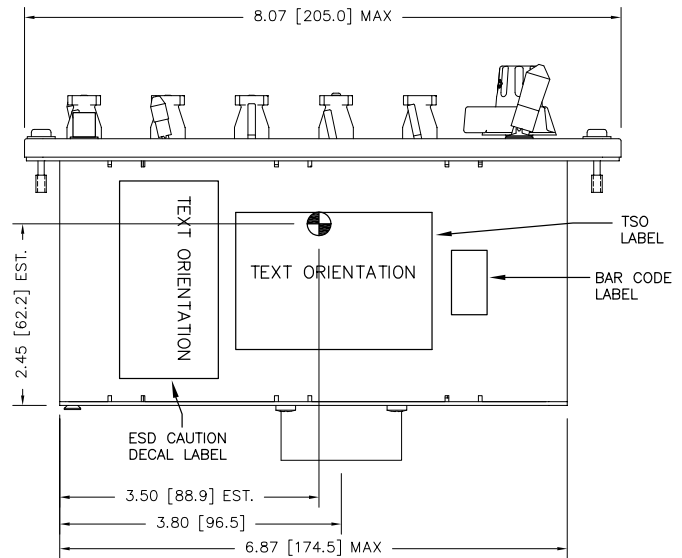
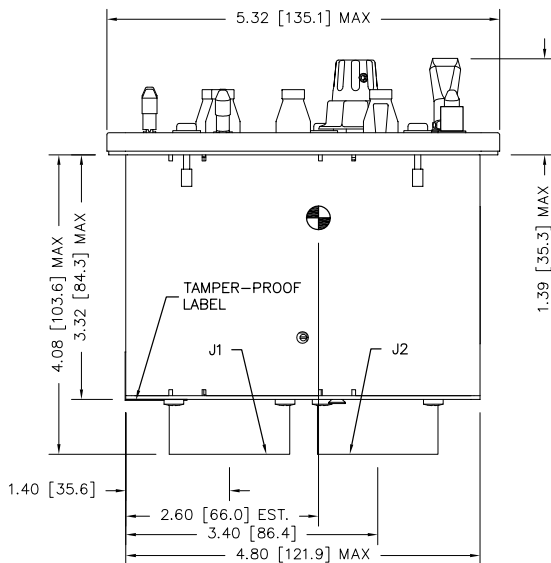
REVISIONS			
REV	DESCRIPTION	DATE	BY
1.10	INCORP. ECR1 806, ADDED DIMENSIONAL TOLERANCE, WEIGHT, ADDED ESD CAUTION DECAL, BAR CODE LABEL AND TAMPER-PROOF LABEL. CAGE CODE WAS 3WG2 (TYPO).		



NOTES:

1. DIMENSIONS ARE IN INCHES [MILLIMETERS].
2. DIMENSIONAL TOLERANCE = ± 0.030 ".
3. WEIGHT = 2.81 LBS (1.27 KGS) MAX.

 CENTER OF GRAVITY



CONFIDENTIAL AND PROPRIETARY TO COBHAM

DESIGNED	AP	COBHAM				
DRAWN	AP					
DATE	11-11-10					
CHECKED		TITLE AUDIO CONTROL PANEL				
APPROVED		SIZE B	CAGE CODE 1B7G3	PART NO. 806-005	REV. 1.10	SHEET 1/1
FILE	806-005 922-0.DWG	DWG. TYPE	ORTHOGRAPHIC	DWG. NO.	806-005 922-0	

REVISIONS			
REV	DESCRIPTION	DATE	BY

807-005 INSTALLATION NOTES

NOTES:

1. ALL WIRES SHOULD BE 24 AWG UNLESS OTHERWISE SPECIFIED. ALL UNSHIELDED WIRE SHALL BE SELECTED IN ACCORDANCE WITH AC43.13-1B CHANGE 1, PARAGRAPHS 11-76 THROUGH 11-78. WIRE TYPES SHOULD BE TO MIL-W-22759 AS SPECIFIED IN AC43.13-1B CHANGE 1, PARAGRAPHS 11-85, 11-86 AND LISTED IN TABLE 11-11. ALL SHIELDED WIRE/CABLE SHOULD BE IN ACCORDANCE WITH MIL-C-27500.
2. DO NOT BUNDLE WITH AUDIO CABLES SEPARATE AFTER EXIT FROM CONNECTOR BACKSHELL AND ROUTE SEPARATELY, SHIELD IF POSSIBLE.
3. TIP KEY ALLOWS HAND MIC FUNCTION IN NORM OR OXY MIC JACKS.
4. GROUND FOR CONTINUOUS INTERPHONE LISTEN.
5. NO CONNECTION. THESE PINS ARE CONNECTED INTERNALLY AND ARE USED FOR MANUFACTURER TESTING PURPOSES ONLY. THEREFORE SHALL HAVE NO CONNECTION EXTERNALLY.
6. NO CONNECTION. THESE PINS ARE NOT CONNECTED TO ANYTHING INTERNALLY, AND THEREFORE SHALL HAVE NO CONNECTION EXTERNALLY.
7. INSTALLER MAY CONNECT AUDIO COMMONS IN ANY MANNER NEEDED TO FACILITATE INSTALLATION (EITHER BUSSED OR DISCRETELY).
8. CABLE SPLICES AND SHIELD GROUNDS MAY OR MAY NOT ALTERNATE BETWEEN PILOT AND COPILOT AUDIO SELECTOR PANELS. SPLICE AND GROUND LOCATIONS CAN BE LOCATED AS DEEMED NECESSARY BY INSTALLER TO FACILITATE EASY INSTALLATION OF WIRING. GROUND CABLE SHIELDS AS SHOWN.
9. NO CONNECTION. PIN IS CONNECTED INTERNALLY. RESERVED FOR FUTURE USE ONLY. THEREFORE SHALL HAVE NO CONNECTION EXTERNALLY.
10. REPRESENTS SYSTEM POWER GROUND.
11. REPRESENTS AIRCRAFT STRUCTURE CHASSIS GROUND.

DEFINITIONS:

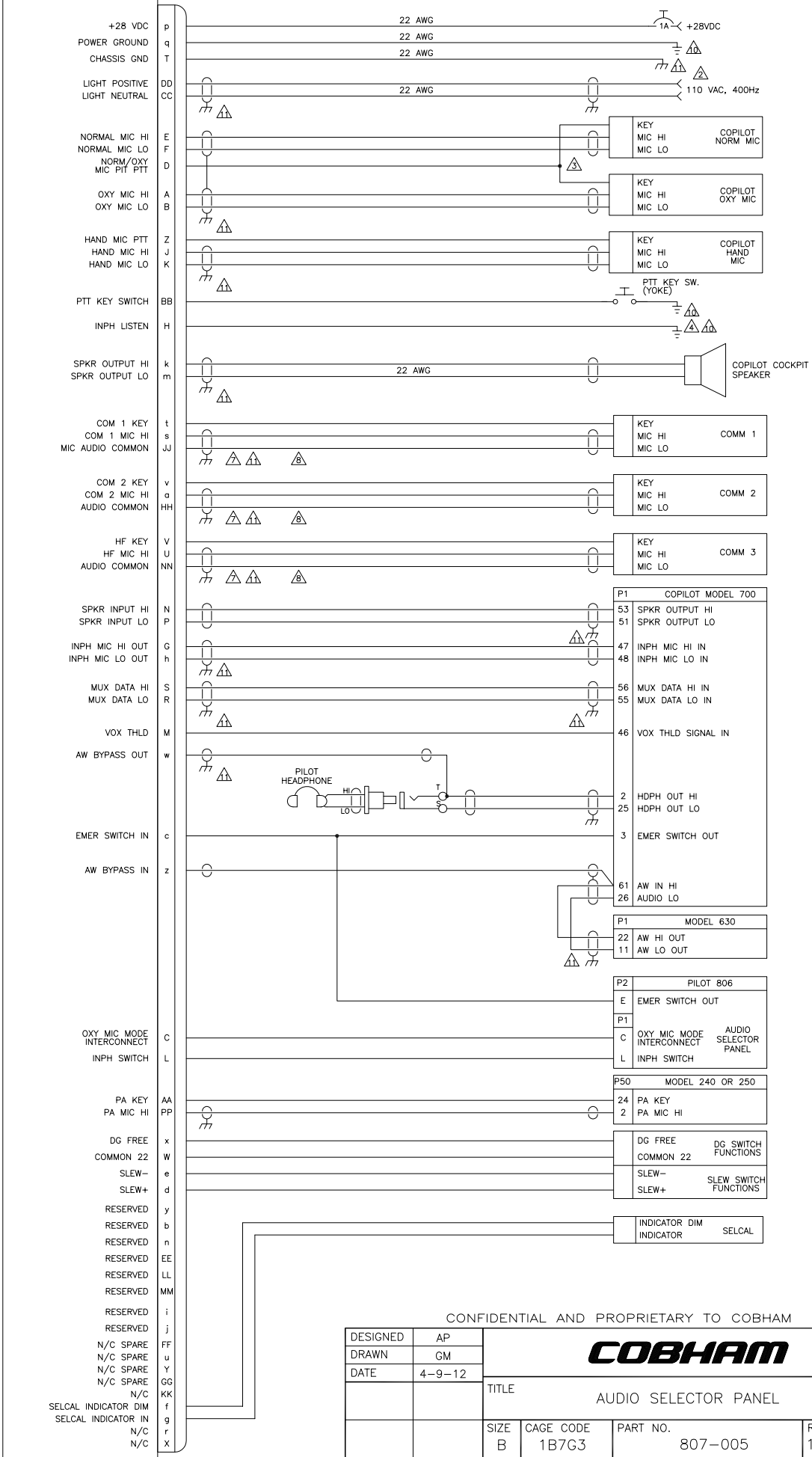
- N/C: NO CONNECTION. THE PIN IS NOT CONNECTED TO ANYTHING INTERNALLY, AND THEREFORE SHALL HAVE NO CONNECTION EXTERNALLY.
- N/C SPARE: NO CONNECTION INTERNALLY, BUT A SPARE WIRE SHALL BE INSTALLED IN THE WIRE HARNESS.
- RESERVED: MAY BE CONNECTED AND USED IN THE FUTURE. THE CIRCUITRY MAY BE PRESENT OR ADDED TO ACTIVATE THE FUNCTION. THE PIN MAY BE USED FOR TEST PURPOSES. THERE IS NO EXTERNAL CONNECTION.
- RESERVED SPARE (RSV SP): RESERVED, BUT INSTRUCTIONS SHALL BE FOLLOWED TO ACTIVATE THE CIRCUITRY. A SPARE WIRE SHALL BE INSTALLED IN THE WIRE HARNESS.

CONFIDENTIAL AND PROPRIETARY TO COBHAM

DESIGNED	AP	COBHAM				
DRAWN	GM					
DATE	4-9-12					
CHECKED		TITLE AUDIO SELECTOR PANEL				
APPROVED		SIZE A	CAGE CODE 1B7G3	PART NO. 807-005	REV. 1.00	SHEET 1/2
FILE	403-0.DWG	DWG. TYPE	INTERCONNECT	DWG. NO.	807-005_403-0	

J1
61 PIN CIRCULAR CONNECTOR
AUDIO SELECTOR PANEL

P1
61 PIN CIRCULAR PLUG
MATING CONNECTOR



CONFIDENTIAL AND PROPRIETARY TO COBHAM

DESIGNED	AP	COBHAM				
DRAWN	GM					
DATE	4-9-12	TITLE AUDIO SELECTOR PANEL				
FILE	403-0.DWG	SIZE B	CAGE CODE 1B7G3	PART NO. 807-005	REV. 1.00	SHEET 2/2
DWG. TYPE	INTERCONNECT	DWG. NO.	807-005_403-0			


Mating connectors

Unit Connector	Unit Connector Part No.	Mating Connector Part No.
P1 (61-pin)	Amphenol TVP02RW-25-61P	Amphenol D38999-26WJ61SN

Shielded wire must be used for all audio connections. AWG 20-22 size should be used for the input supply power and power ground; panel lighting supply and return; knob lighting supply and return; and chassis ground. AWG 22-24 size wire should be used for all other connections.

P1-A	OXY MIC HI	P1-i	TEST MODE JUMPER IN
P1-B	OXY MIC LO	P1-j	TEST MODE JUMPER OUT
P1-C	OXY MIC MODE INTERCONNECT	P1-k	SPKR OUTPUT HI
P1-D	NORM/OXY MIC TIP PTT	P1-m	SPKR OUTPUT LO
P1-E	NORMAL MIC HI	P1-n	CHASSIS GND
P1-F	NORMAL MIC LO	P1-p	+28 VDC
P1-G	INPH MIC HI OUT	P1-q	POWER GROUND
P1-H	INPH LISTEN	P1-r	N/C
P1-J	HAND MIC HI	P1-s	COMM1 MIC HI (1)
P1-K	HAND MIC LO	P1-t	COMM1 KEY (1)
P1-L	INPH SWITCH	P1-u	COMM5 KEY (N/C)
P1-M	VOX THLD	P1-v	COMM2 KEY (2)
P1-N	SPKR INPUT HI	P1-w	AW BYPASS OUT
P1-P	SPKR INPUT LO	P1-x	DG FREE
P1-R	MUX DATA LO	P1-y	PA VOL
P1-S	MUX DATA HI	P1-z	AW BYPASS IN
P1-T	CHASSIS GND	P1-AA	PA KEY
P1-U	COMM3 MIC HI (HF)	P1-BB	PTT KEY SWITCH
P1-V	COMM3 KEY (HF)	P1-CC	LIGHT NEUTRAL
P1-W	COMMON 22	P1-DD	LIGHT POSITIVE
P1-X	N/C	P1-EE	CHASSIS GND
P1-Y	COMM4 MIC HI (N/C)	P1-FF	COMM4 KEY (N/C)
P1-Z	HAND MIC PTT	P1-GG	COMM5 MIC HI (N/C)
P1-a	COMM2 MIC HI (2)	P1-HH	AUDIO COMMON
P1-b	NORM SWITCH OUT	P1-JJ	MIC AUDIO COMMON
P1-c	EMER SWITCH IN	P1-KK	AUDIO ALTN SWITCH (N/C)
P1-d	SLEW (+)	P1-LL	CHASSIS GND
P1-e	SLEW (-)	P1-MM	CHASSIS GND
P1-f	SELCAL INDICATOR DIM	P1-NN	AUDIO COMMON
P1-g	SELCAL INDICATOR IN	P1-PP	PA MIC HI
P1-h	INPH MIC LO OUT		

CONFIDENTIAL AND PROPRIETARY TO COBHAM

DRAWN AP 11-30-10	CHECK	APPROVED		
TITLE PINOUT LIST		PART NO. FOR MODEL 807-005	DWG. TYPE PINOUT LIST	SIZE A
FILE 807-005 405-0.DOC	CAGE CODE 1B7G3	DRAWING NO. 807-005 405-0	SHEET 1 / 2	REV. 1.00

807-005 Front Panel / 700-XXX Pin Association Table


This table describes which 700-XXX pin each 807-005 front panel control affects.

MODEL 807-005 FRONT PANEL CONTROL	MODEL 700-XXX PIN	
COMM 1	P1-12	COMM-1 HI
	P1-11	COMM-1 SDTN HI ⁶
	P1-34	COMM-1/COMM-1 SDTN LO
COMM 2	P1-13	COMM-2 HI
	P1-17	COMM-2 SDTN HI ⁶
	P1-35	COMM-2/COMM-2 SDTN LO
COMM 3 (HF)	P1-8	COMM-3 HI
	P1-19	COMM-3 SDTN HI ⁶
	P1-31	COMM-3/COMM-3 SDTN LO
COMM 4 (NOT INSTALLED)	P1-7	COMM-4 HI
	P1-18	COMM-4 SDTN HI ⁶
	P1-30	COMM-4/COMM-4 SDTN LO
COMM 5 (NOT INSTALLED)	P1-4	COMM-5 HI
	P1-16	COMM-5 SDTN HI ⁶
	P1-27	COMM-5/COMM-5 SDTN LO
NAV 1	P1-42 HI/P1-38 LO	NAV-1 ¹
NAV 2	P1-21 HI/P1-40 LO	NAV-2 ¹
DME 1	P1-15 HI/P1-57 LO	DME-1
DME 2	P1-14 HI/P1-36 LO	DME-2
ADF 1	P1-62 HI/P1-39 LO	ADF-1 ¹
ADF 2	P1-41 HI/P1-37 LO	ADF 2 ¹
MKR BCN	P1-10 HI/P1-33 LO	MKR-1
MKR 2 (NOT INSTALLED)	P1-9 HI/P1-32 LO	MKR-2
INPH	P1-44/P1-45	INPH HI ²
SPARE 1 (NOT INSTALLED)	P1-6 HI/P1-29 LO	SPARE-1
SPARE 2 (NOT INSTALLED)	P1-5 HI/P1-28 LO	SPARE-2
AUDIO ALTN SWITCH (NOT INSTALLED)	P1-3	EMERGENCY SWITCH
SPKR	P1-53 HI/P1-51 LO	SPKR
XMIT (PA)	P1-20	PA SDTN HI ³
VOL	P1-2 HI/P1-25 LO	HDPH
(T) VOX THRESHOLD TRIMMER	P1-46	INPH SQUELCH (VOX THRESHOLD)

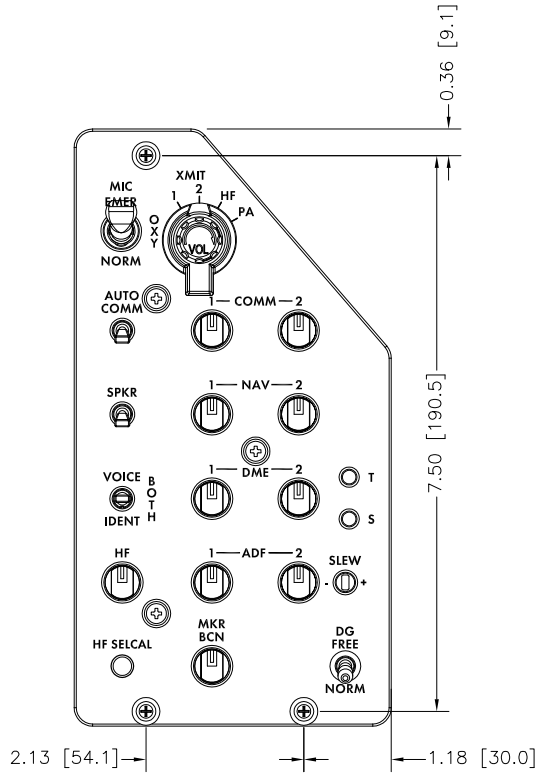
1. VOICE/BOTH/IDENT SWITCH CONTROLS VOICE OR TONE FILTERING FOR NAV1, NAV2, ADF1 AND ADF2 INPUTS OF MODEL 700.
2. HAND MIC PTT AND PTT SWITCH INPUTS TO 807-XXX CAUSE INPH AUDIO OF MODEL 700 TO BECOME MUTED FOR ALL POSITIONS OF XMIT ROTARY SWITCH WHEN TRANSMITTING, EXCEPT PA. P1-44 IS ELECTRICALLY COMMON WITH P1-45 WITHIN THE MODEL 700. THERE IS NO AUDIO LO FOR INPH HI SINCE THE SIGNAL REFERENCE IS THE MODEL 700 POWER GROUND.
3. HAND MIC PTT AND PTT SWITCH INPUTS TO 807-XXX CAUSE PA SIDETONE TO BECOME ACTIVE IF TRANSMITTING TO PA USING XMIT ROTARY SWITCH PA POSITION.
4. OXY/NORM SWITCH WILL ACTIVATE SPKR WHEN SET TO OXY POSITION.
5. AUTO COMM SWITCH WILL CAUSE THE RECEIVER VOLUME CHANNEL THAT IS SELECTED BY THE XMIT ROTARY SWITCH TO BECOME ACTIVE.
6. SIDETONE TRIMMER ON THE 807 FRONT PANEL CONTROLS THE MODEL 700 MASTER SIDETONE VOLUME.

REFER TO MODEL 700 PINOUT FOR ALL OTHER CONNECTIONS OF MODEL 700-[]

CONFIDENTIAL AND PROPRIETARY TO COBHAM

DRAWN					
AP 11-30-10					
TITLE			PART NO.	DWG. TYPE	SIZE
PINOUT LIST			FOR MODEL 807-005	PINOUT LIST	A
FILE	CAGE CODE	DRAWING NO.	SHEET	REV.	
807-005 405-0.DOC	1B7G3	807-005 405-0	2 / 2	1.00	

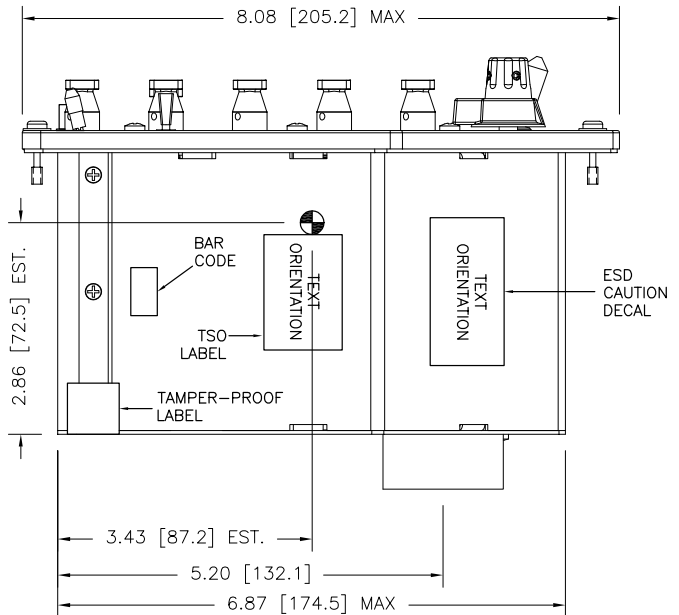
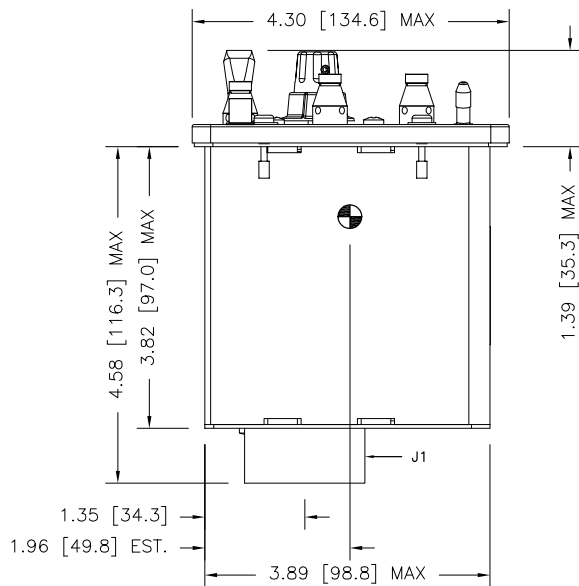
REVISIONS			
REV	DESCRIPTION	DATE	BY
1.10	INCRP. ECR1 806, ADDED DIMENSIONAL TOLERANCE, WEIGHT. ADDED ESD CAUTION DECAL, BAR CODE LABEL AND TAMPER-PROOF LABEL. CAGE CODE WAS 3WGN2 (TYPO).		



NOTES:

1. DIMENSIONS ARE IN INCHES [MILLIMETERS].
2. DIMENSIONAL TOLERANCE = ± 0.030 ".
3. WEIGHT = 2.35 LBS (1.07 KGS) MAX.

⊙ CENTER OF GRAVITY



CONFIDENTIAL AND PROPRIETARY TO COBHAM

DESIGNED	AP	COBHAM				
DRAWN	AP					
DATE	11-11-10	TITLE AUDIO CONTROL PANEL				
CHECKED						
APPROVED		SIZE B	CAGE CODE 1B7G3	PART NO. 807-005	REV. 1.10	SHEET 1/1
FILE	807-005 922-0.DWG	DWG. TYPE	ORTHOGRAPHIC	DWG. NO.	807-005 922-0	