



INSTALLATION AND OPERATING INSTRUCTIONS

Dante

 SERIES

GAS CHAR BROILERS

Model: **XXE**

**INTENDED FOR OTHER THAN HOUSEHOLD USE
RETAIN THIS MANUAL FOR FUTURE REFERENCE
BROILER MUST BE KEPT CLEAR OF COMBUSTIBLES AT ALL TIMES**

IMPORTANT INSTRUCTIONS

After the gas supply has been connected to your unit, it is extremely important to check piping for possible leaks. To do this, use soap and water solution or solutions which are expressly made for this purpose. **DO NOT USE** matches, candles, flames, or other sources of ignition since these methods are extremely dangerous.

Post in a prominent location instructions to be followed in the event you smell gas. Obtain these instructions from your local gas supplier.

	FOR YOUR SAFETY <i>Do not store or use gasoline or other flammable vapors and liquids in the vicinity of this or any other appliance.</i>	
--	---	--

	WARNING <i>Improper installation, adjustment, alteration, service or maintenance can cause property damage, injury or death. Read the Installation, Operating and Maintenance Instructions thoroughly before installing or servicing this equipment.</i>	
--	--	--

This equipment has been engineered to provide you with year round dependable service when used according to the instructions in this manual and standard commercial kitchen practices.



P/N U4144A 9/08

BAKERS PRIDE OVEN CO., INC.

30 Pine Street
New Rochelle, NY 10801

+1 (914) 576-0200 Phone
+1 (914) 576-0605 Fax

(800) 431-2745 US & Canada
www.bakerspride.com Web Address
Info@bakerspride.com E-Mail Address

TABLE OF CONTENTS

I. INSTALLATION INSTRUCTIONS

<u>SECTION</u>	<u>ITEM</u>	<u>PAGE</u>
1	Installation	2
2	Clearances	3
3	Gas Connection	3
4	Burners	3
5	Radiants	4
6	Top Grates	4
7	Lighting Instructions	4
8	Grease Pan	4
9	Griddle Plate	4
10	Additional Installation Instructions	4
11	Installation with Casters	5

II. OPERATING INSTRUCTIONS

<u>SECTION</u>	<u>ITEM</u>	<u>PAGE</u>
1	Lighting Procedure	5
2	Broiling	5

III. MAINTENANCE

<u>SECTION</u>	<u>ITEM</u>	<u>PAGE</u>
1	Service	5
2	Care & Cleaning	5
3	Cleaning Tools	6
4	Troubleshooting Chart	6

IV. ILLUSTRATIONS

<u>ITEM</u>	<u>PAGE</u>
Manifold & Valve Assembly Views	7
Parts List w/Exploded Views	8

V. WARRANTY

<u>ITEM</u>	<u>PAGE</u>
Bakers Pride Limited Warranty	12

I. INSTALLATION INSTRUCTIONS

1. INSTALLATION:

- (A) INSTALLATION of this broiler must conform with the latest edition of National Fuel Gas Code and/or local codes, (the American National Standard 2-223.1 in USA and CAN/CGA-B149.1 or 2 Installation Code in Canada). In Europe, this appliance must be installed in conformity with current regulations and used only in a well ventilated space.
- (B) **In MASSACHUSETTS**, All gas products must be installed by a “Massachusetts” licensed plumber or gas fitter. Ventilation hoods must be installed in accordance with NFPA-96, current edition, with interlocks as described in that standard.

2. ACCEPTABLE CLEARANCES:

(A) USA and Canada.

Due to intense heat generated by radiation, in USA and Canada these broilers should be installed in non-combustible locations only, including the areas above the grate level.

MINIMUM CLEARANCE FROM NON-COMBUSTIBLE CONSTRUCTION:

<u>Right Side</u> 50mm(2")	<u>Left Side</u> 50mm (2")	<u>Back</u> 50mm (2")
-------------------------------	-------------------------------	--------------------------

(B) European Community Countries

Minimum clearance from:	<u>Right Side</u>	<u>Left Side</u>	<u>Back</u>	<u>Floor</u>
Combustible construction	250mm	250mm	250mm	150mm
Non-combustible construction	50mm	50mm	50mm	100mm

3. GAS CONNECTION:

The gas pressure regulator supplied must be installed at the gas inlet of each broiler unless required otherwise by local codes. Each regulator is adjusted to yield a manifold pressure of 3.5" water column (9 mbar) for natural gas or 10" water column (25 m bar) for propane gas. **Units for propane gas are available for use in USA and Canada only.**

Recommended minimum gas supply lines are listed below:

All XXE Models	3/4" (19 mm)
----------------	--------------

NOTE: A shut off valve in a readily accessible location must be installed on the gas supply line before connecting it to the unit.

For units using propane gas supply In USA and Canada lines less than' 1/2" (12.7 mm) Inside diameter should not be used.

On the XXE series, the gas connection is located on the right *rear* of the unit.

BE SURE TO CAP WHICHEVER SIDE IS NOT CONNECTED.

When making gas pipe connections, pipe joint compound resistant to the action of liquefied petroleum gases should be used.

The broiler and its individual shutoff valve must be disconnected from the gas supply piping system during any pressure testing of that system at test pressure in excess of 1/2 psig (3.45 kpa).

The broiler must be isolated from the gas supply piping system by closing its individual manual shutoff valve during any pressure testing of the gas supply piping system at test pressures equal to or less than 1/2 psig (3.45 kpa).

4. BURNERS

Check to see that air mixer caps on the front of all burners are adjusted and tightened, allowing half the opening to show.

To install the burners:

- (A) Place the front venturi end of the burner into the valve assembly by fitting the center hole of the air mixer cap over the brass orifice.
- (B) Drop the two ends of the burners over the burner support pins in the front and back of the chamber.

5. RADIANTS

Mount the "A" shaped radiants over the burners with each end mounted on special supports on the front and rear of the chamber. A radiant should be mounted over each burner assembly.

6. TOP GRATES

Place a grate over each of the radiants. For normal operation the pointed side of the grate is facing up. For use with foods that require extra support, the flat side may be used.

On XXE models, grates can be placed on three levels; two positions are built into the rear of the unit; the third position requires a special adapter which is supplied with the unit.

The adapter covers only half of the broiler. To cover the entire unit, optional adapters can be ordered.

7. LIGHTING:

Each burner has a standing pilot burner which must be lit before the burners can be lit. To light the pilot burners:

- (A) Turn all broiler valves to off position
- (B) Open main gas shut off valve (provided by customer).
- (C) Press. turn counterclockwise and hold the burner control knob to the pilot burner ignition position.
- (D). Using a lit taper, light the pilot burner
- (E) Release the knob after 30 seconds. Pilot burner should stay lit.
- If the pilot burner does not remain lit, wait for 5 minutes and repeat steps C and D. Hold the knob pressed longer before releasing.**
- (F) With a screwdriver adjust the pilot burner flame to about 1/2" (12.7 mm). Turn the adjusting screw clockwise to reduce or counterclockwise to increase the pilot burner flame.
- (G) Each burner may now be adjusted to the desired flame size by turning the individual burner valve knob.
- (H) Turn the knob to the pilot burner ignition position to shut down the main burner.
- (I) Turn the knob to off position to shut down the pilot burners.

NOTE: WAIT FIVE MINUTES BEFORE ATTEMPTING TO RELIGHT THE PILOT BURNERS.

8. GREASE PAN

A grease pan is provided below the burners to hold any grease that drips down past the radiants while broiling. An additional grease drawer is provided in the front right corner of the grease pan to collect the grease from the grease drain in the front which in turn drains into the grease collector.

Water is usually added to the grease pan to reduce flare-up and flash back. The grease drip will extinguish as it hits the water.

9. GRIDDLE PLATE (optional)

Griddle plates should not cover more than 50% of the BROILING area. Each Griddle Plate fits on top of two grates. It is not necessary to remove the top grates and radiants before installing the griddle plate.

10. ADDITIONAL INSTALLATION INSTRUCTIONS

- (A) Keep the area around the broiler free and clear of combustible materials.
- (B) The provision of an adequate air supply to your broiler is essential. Provide for sufficient outside air to enter the broiling area and assure that this air flow is not obstructed.
- (C) Air enters the burner area from the front of your broiler. Assure that this area is kept open and unobstructed.
- (D) Servicing is accomplished through the front and top of the broiler. Assure that this area is kept unobstructed for proper servicing and operation.

11. INSTALLATION WITH CASTERS

- (A) Install the casters with wheel brakes on the front of the appliance.
- (B) Installation should be made with a connector that complies with the latest edition of the Standard for Connectors for Movable Gas Appliances (ANS/Z21.69 in USA, CAN/CGA-6.16 in Canada) and a quick disconnect device that complies with the latest edition of the Standard for Quick Disconnect Devices for use with gas fuel (ANSIZ21.41 in USA, CAN1-6.9 in Canada). Adequate means must be provided to limit the movement of the appliance without depending on the connector and any quick disconnect device or its associated piping to limit the appliance movement.
- (C) The restraint should be attached to the center of the back about 1/2" (12.7mm) from the bottom.
- (D) If disconnection of the restraint is necessary, the restraint should be reconnected after the appliance has been returned to its originally installed position.

II. OPERATING INSTRUCTIONS

1. LIGHTING PROCEDURES

See Section 7 of INSTALLATION INSTRUCTIONS.

2. BROILING

BROILER TOP GRATE MUST BE HOT ENOUGH TO MAKE BLACK CHAR-MARKS WHEN STARTING TO BROIL.

Adequate preheating time is necessary for the food to release from the broiler and to cook properly. Allow the unit to preheat for 20-25 minutes before broiling.

- (A) Do not press the juice out of the meat because that will cause dry products.
- (B) After broiling, allow the meat to sit covered on a heated platter for 2-5 minutes before cutting. This will allow the juices to "settle" and the product will be more moist.
- (C) Do not use forks or other sharp objects to poke holes in the meat. Do not cut the meat as it cooks.
- (D) Thick pieces of meat require a longer broiling time with less flare-up. Reduce flare up by trimming excess fat for a longer broil time without burning.
- (E) Keep the unit clean. Food caught between the grate will not allow hot air to rise around the product. This will result in uneven heating and increase the cooking time.

III. MAINTENANCE

1. SERVICE

Shut off the main gas supply before attempting any maintenance on the unit. If required, contact your dealer, the factory, or a local service company to obtain qualified maintenance and repairs.

2. CARE AND CLEANING

- (A) The top grates should be cleaned using a stiff wire brush. If this is done daily, the accumulation of food and fat caught in the grates and work necessary to keep them clean will be reduced. Periodically, they should be turned over and brushed and then put back. In the event that an extra amount of fat is accumulated on the top, due to use of low heat, we recommend turning up the flame of this section for about an hour, which will burn off much of the fat and residue and the brushing operation will be easier. Under no circumstances should the grates be placed in a dishwasher. Soap, water, or any detergents should never be used on the cast Iron grates.
- (B) Front - Sample supplied with the unit or any reputable stainless steel cleaner can be used.

- (C) Inner panels - These are made of aluminized steel. Use hot soapy water and soft nylon scrub pads to clean the surfaces.
- (D) Grease pan and grease collector - Grease pan and collector should be cleaned daily or more often if necessary.

CAUTION:

- (A) Clean the unit only when it is cold.
- (B) Always rub with the grains when cleaning.
- (C) Do not use abrasive pads for cleaning.
- (D) Do not use caustic cleaning compounds on aluminized surfaces.

3. CLEANING TOOLS

Several models of specially designed top grate brushes and grease drain scrapers are available from Bakers Pride. Contact Bakers Pride for more information.

TROUBLESHOOTING CHART

PROBLEM	PROBABLE CAUSE	SOLUTION
Burners & pilots will not turn on	Main gas supply to broiler is not turned on.	Turn on main gas supply.
Burners produce excessive carbon deposits	Incorrect gas type.	Supply correct type gas.
	Incorrect gas supply pressure.	Call local gas supplier.
	Incorrect orifices.	Call Bakers Pride authorized service center.
	Primary air not adjusted properly.	Adjust air shutter.
Pilot will not remain lit	Pilot flame adjusted incorrectly.	Adjust pilot flame.
	Draft condition.	Remove draft.
	Improper ventilation system.	Call an HVAC specialist.
	Debris or grease clogging pilot burner or thermocouple.	Clean debris & grease from pilot burner & thermocouple.
	Pilot safety valve or thermocouple has failed.	Replace failed component.
Excessive flare-up	Overload of fatty meat.	Add water to grease pan.
Broiler doesn't seem hot enough	Orifices may be dirty/clogged.	When unit cools, check & clean orifices.
	Low gas pressure.	Increase gas pressure to 5" W.C. (Nat) or 10" W.C. (L.P.)
	Top grates may be dirty/clogged.	When unit cools, check & clean top grates.
	If the ventilation is too strong it will suck heat from the cooking/broiling surface.	Call an HVAC specialist.
	Too many Glo-stones restricting heat to top grates.(Glo-stone models only).	Reduce the number of Glo-stones.
Grates &/or radiants &/or burners &/or gas valves warp	Usually improper cleaning methods ie; users cover grate top w/sheet pans & crank up heat to burn-off debris	Do not "Burn-Off" top grates. This causes the firebox area to overheat excessively. *Never cover top grates.

IV. MANIFOLD & VALVE ASSEMBLY VIEWS

FIGURE 1

XXE SERIES - FRONT VIEW

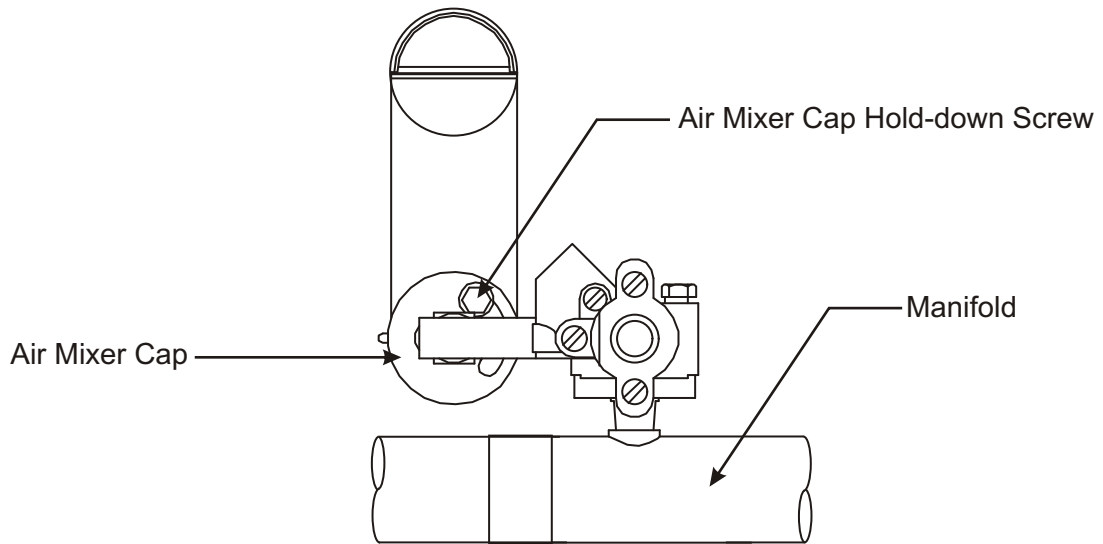
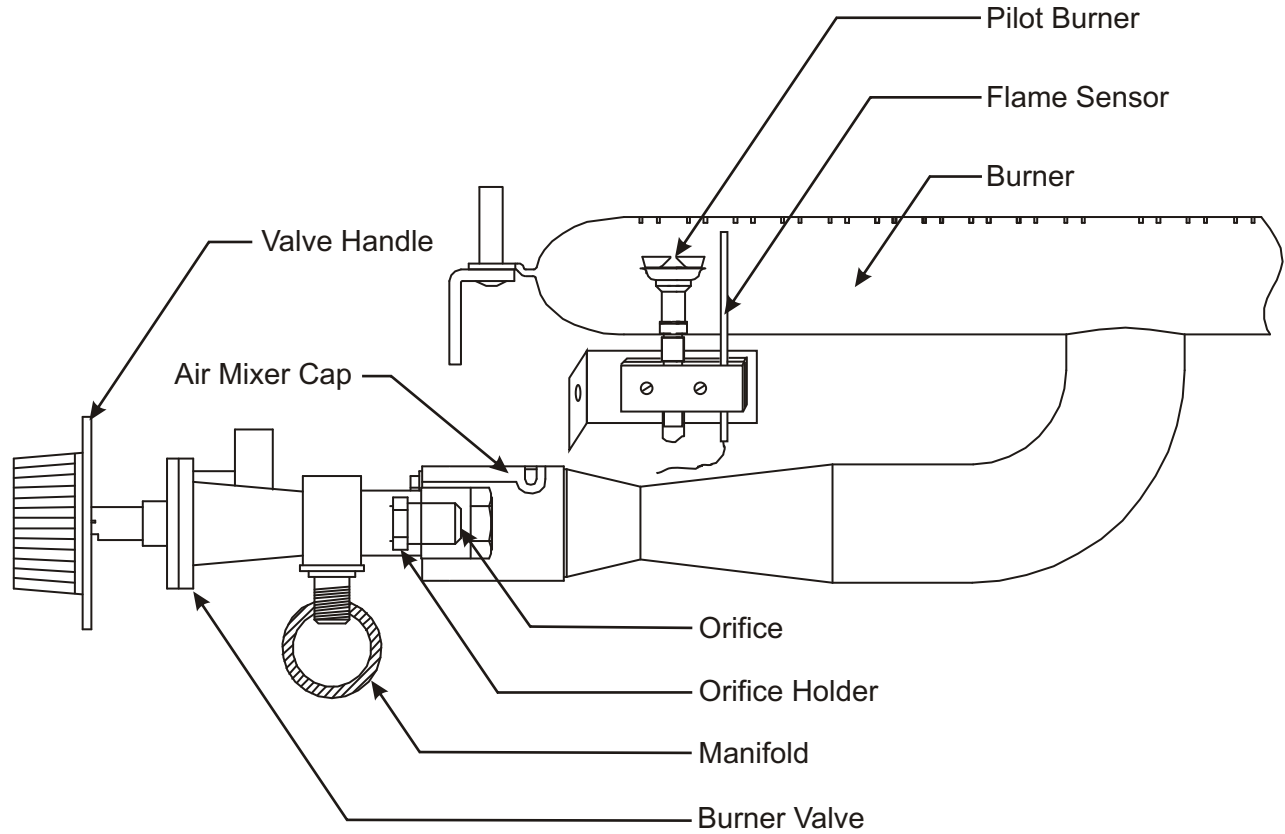


FIGURE 2

XXE SERIES - SIDE VIEW





30 Pine Street • New Rochelle • New York • 10801

914 / 576 - 0200

914 / 576 - 0605 fax

1 - 800 - 431 - 2745 US & Canada

www.bakerspride.com web address

XXE-4, 6, 8, 10, 12

Gas Char Broiler

PARTS LIST

Dante
SERIES



Model Number

XXE-4

XXE-6

XXE-8

XXE-10

XXE-12

Serial Number

Type of Gas

Natural

L.P.

Other

Note: When ordering, ALWAYS specify Part #, Model #, Serial #, Voltage/Phase & type of Gas.

U6065A 9/08

XXE-4, 6, 8, 10, 12

Gas Char Broiler

30 Pine Street • New Rochelle • New York • 10801

914 / 576 - 0200

914 / 576 - 0605 fax

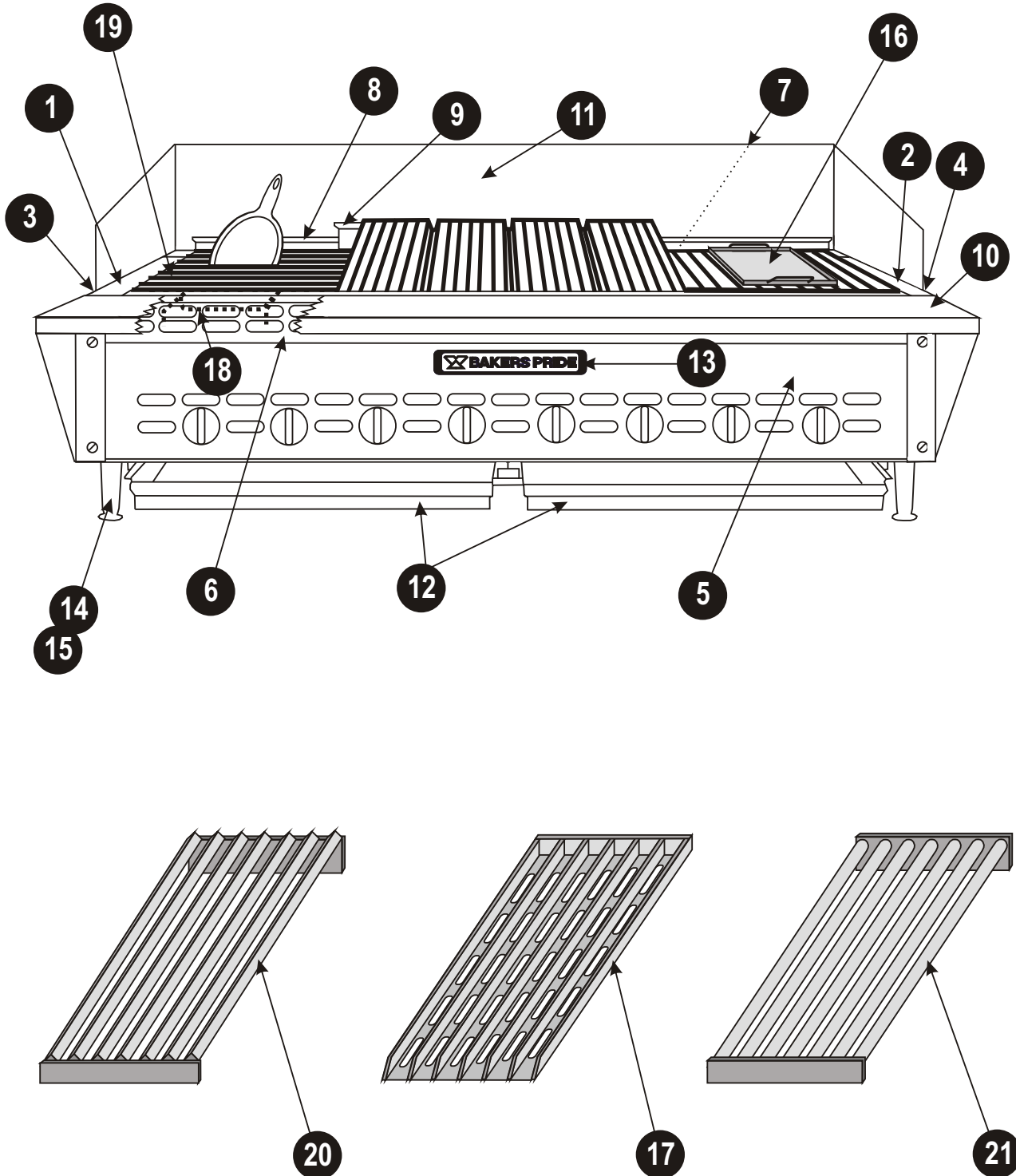
1 - 800 - 431 - 2745 US & Canada

www.bakerspride.com web address



Figure A

Exterior / Grates



Note: When ordering, ALWAYS specify Part #, Model #, Serial #, Voltage/Phase & type of Gas.

U6065A 9/08



30 Pine Street • New Rochelle • New York • 10801
 914 / 576 - 0200
 914 / 576 - 0605 fax
 1 - 800 - 431 - 2745 US & Canada
 www.bakerspride.com web address

XXE-4, 6, 8, 10, 12

Gas Char Broiler

Exterior / Grates

Item	Part #	Description	Item	Part #	Description
1	G1011K	Top Side Trim, SS, Left		G1058K	3rd Level Bracket (XX-10) Optional
2	G1012K	Top Side Trim, SS, Right		G1056K	3rd Level Bracket (XX-12) Optional, 2 used
3	G1458K	Outer Side, Left (XXE)	10		Work Deck, S/S (XXE-4) Optional
4	G1459K	Outer Side, Right (XXE)			Work Deck, S/S (XXE-6) Optional
5	G1454K	Control Panel (XXE-4)			Work Deck, S/S (XXE-8) Optional
	G1455K	Control Panel (XXE-6)			Work Deck, S/S (XXE-10) Optional
	G1456K	Control Panel (XXE-8)			Work Deck, S/S (XXE-12) Optional
	G1457K	Control Panel (XXE-10)	11	G1081X	Splash Guard, S/S (XX-4) Optional
	G1412K	Control Panel (XXE-12)		G1082X	Splash Guard, S/S (XX-6) Optional
6	G1474K	Top Front Trim (XXE-4)		G1083X	Splash Guard, S/S (XX-8) Optional
	G1475K	Top Front Trim (XXE-6)		G1084X	Splash Guard, S/S (XX-10) Optional
	G1476K	Top Front Trim (XXE-8)		G1237U	Splash Guard, S/S (XX-12) Optional
	G1477K	Top Front Trim (XXE-10)	12	T3033K	Grease Pan (XX-4) 20 3/8", 1 used
	G1413K	Top Front Trim (XXE-12)		T3034K	Grease Pan (XX-6 or 10) 30 7/8", 1 used
7	G1461K	Outer Back (XXE-4)		T3035K	Grease Pan (XX-8) 19 5/8", 2 used
	G1462K	Outer Back (XXE-6)		T1036T	Grease Pan (XX-10) 19 1/4", 1 used
	G1463K	Outer Back (XXE-8)		T1036T	Grease Pan (XX-12) 19 1/4", 3 used
	G1464K	Outer Back (XXE-10)	13	U1043A	Name Plate, 13 1/4", Bakers Pride
	G1414K	Outer Back (XXE-12)	14	S1394A	Leg, 4" Adjustable (Each)
8	G1021U	1st/2nd Level Assy (XX-4)	15	S1394X	Leg, 4" Adjustable (Set/4)
	G1022U	1st/2nd Level Assy (XX-6)	16	T1020T	Griddle Plate (Optional) 16"
	G1023U	1st/2nd Level Assy (XX-8)	17	T1006A	Grate, Top, Flat Cast Iron (5 1/4")
	G1024U	1st/2nd Level Assy (XX-10)	18	T1183T	Grate, Fajita Bottom
	G1247U	1st/2nd Level Assy (XX-12)	19	T1185S	Grate, Fajita Top
9	G1055K	3rd Level Bracket (XX-4) Optional	20	T1172T	Grate, Meat 10 1/2"
	G1056K	3rd Level Bracket (XX-6) Optional	21	T1166T	Grate, Fish 10 1/2"
	G1057K	3rd Level Bracket (XX-8) Optional			

Note: When ordering, ALWAYS specify Part #, Model #, Serial #, Voltage/Phase & type of Gas.

U6065A 9/08

XXE-4, 6, 8, 10, 12

Gas Char Broiler

30 Pine Street • New Rochelle • New York • 10801

914 / 576 - 0200

914 / 576 - 0605 fax

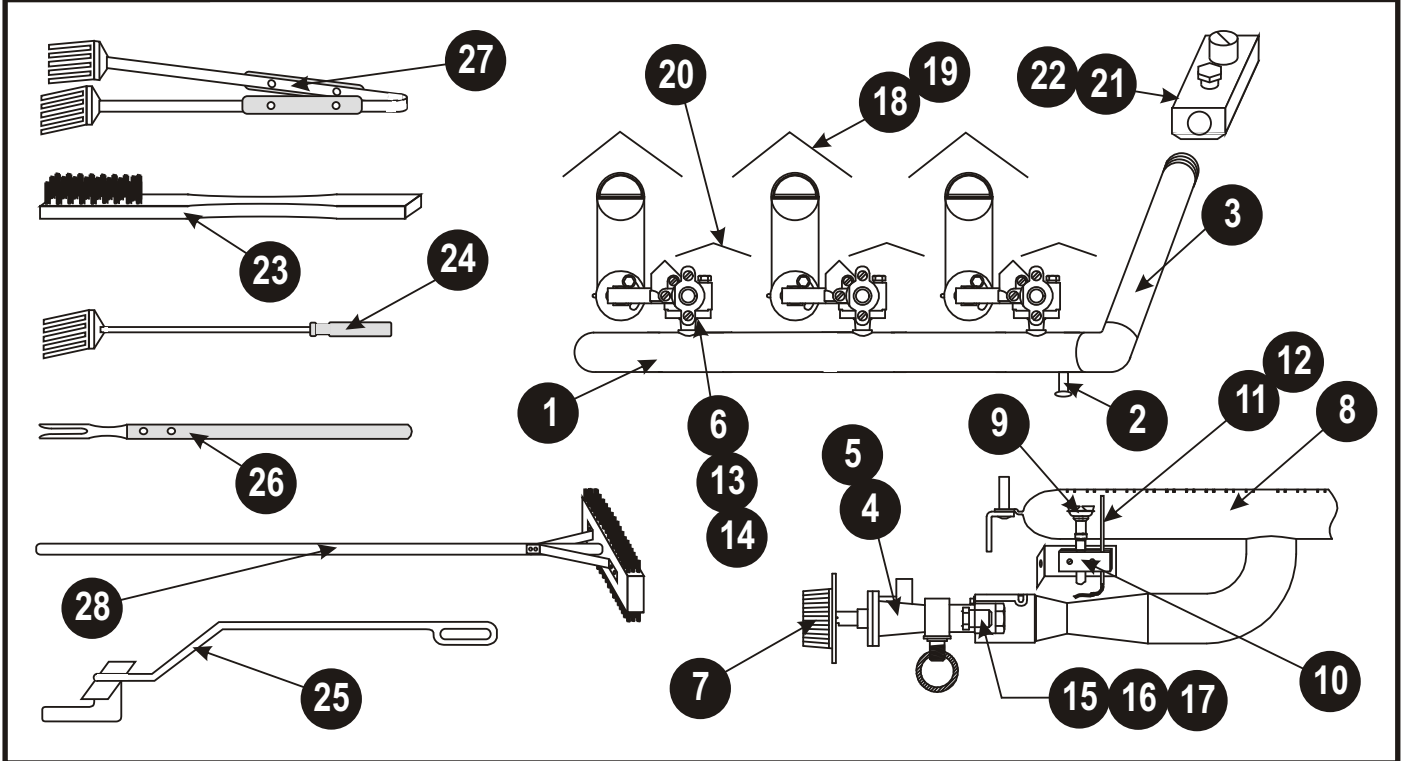
1 - 800 - 431 - 2745 US & Canada

www.bakerspride.com web address



Figure C

Burner / Accessories



Item	Part #	Description	Item	Part #	Description
1	R1085P	Manifold Assy (XXE-4)	14	N1010A	Ferrule, 3/16"
	R1086P	Manifold Assy (XXE-6)	15	R3130A	Orifice Hood #44, Nat (XXE)
	R1087P	Manifold Assy (XXE-8)	16	R3044A	Orifice Hood #55, LP (XXE)
	R1088P	Manifold Assy (XXE-10)	17	R3023A	Orifice Hood, Blank
	R1186A	Manifold Assy (XXE-12)	18	T1155T	Radiant, S/S (23") Standard
2	N3068P	Pressure Tap Nozzle Assy	19	T1007A	Radiant, Cast Iron (23") Optional
3	N5217P	Inlet Gas Pipe (XX)	20	G1470K	Heat Shield (XXE-4 uses 5) (XXE-6 uses 7) (XXE-8 uses 9) (XXE-10 uses 11) (XXE-12 uses 13)
4	R3128A	Valve, Multi Gas Cock	21	M1009A	Pressure Regulator, 3/4", 10" WC
5	M1053A	Valve, Junker (Old Style)	22	M1184A	Pressure Regulator, 3/4", 3.5" WC
6	R3181P	Pilot Tubing, 5" (XXE)	23	T5017A	Wire Brush, Chef-Aide, 18"
7	S1301A	Knob, CE Broiler	24	T5018U	Spatula, Chef-Aide, 20", Single
8	L5078A	Burner, Center Feed (XXE)	25	T5041T	Grate Lifter, 3' x 20"
9	M1359A	Pilot Burner	26	T5016A	Meat Fork
10	G1472K	Pilot Burner Mounting Bracket (XXE)	27	T5019V	Steak Turner
11	M1358A	Thermocouple, 10"	28	T5104V	Twin Head Grate Brush
12	M1267X	Thermocouple (used w/O.S. Junker Valve)			
13	N1007A	Compression Nut, 3/16", Female			

Conversion Kit (LP to Nat)

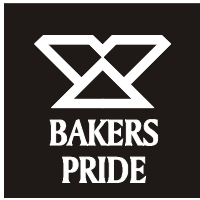
R3130A	Hood Orifice # 44, Nat. (XXE-4 uses 4) (XXE-6 uses 6) (XXE-8 uses 8) (XXE-10 uses 10) (XXE-12 uses 12)
M1184A	Pressure Regulator, 3/4", 3.5" WC (Qty. 1)

Conversion Kit (Nat to LP)

R3044A	Hood Orifice #55, L.P. (XXE-4 uses 4) (XXE-6 uses 6) (XXE-8 uses 8) (XXE-10 uses 10) (XXE-12 uses 12)
M1009A	Pressure Regulator, 3/4", 10" WC (Qty. 1)

Note: When ordering, ALWAYS specify Part #, Model #, Serial #, Voltage/Phase & type of Gas.

U6065A 9/08



V. BAKERS PRIDE LIMITED WARRANTY

30 Pine Street New Rochelle, New York 10801
914 / 576 - 0200 ♦ US & Canada: 1 - 800 - 431 - 2745 ♦ fax 914 / 576 - 0605

- WHAT IS COVERED** This warranty covers defects in material and workmanship under normal use, and applies only to the original purchaser providing that:
- ♦ The equipment has not been accidentally or intentionally damaged, altered or misused;
 - ♦ The equipment is properly installed, adjusted, operated and maintained in accordance with National and local codes, and in accordance with the installation instruction provided with the product;
 - ♦ The serial number rating plate affixed to the equipment has not been defaced or removed.
- WHO IS COVERED** This warranty is extended to the original purchaser and applies only to equipment purchased for use in the U.S.A.
- COVERAGE PERIOD** Full size gas and electric deck ovens: Two (2) year limited parts and labor: Cyclone Convection Ovens: BCO Models: One (1) Year limited parts and labor; GDCO Models: Two (2) Year limited parts and labor; CO II Models: Two (2) Year limited parts and labor; (5) Year limited door warranty.
All Other Products: One (1) Year limited parts and labor.
Warranty period begins the date of dealer invoice to customer or ninety (90) days after shipment date from BAKERS PRIDE - whichever comes first.
- WARRANTY COVERAGE** This warranty covers on-site labor, parts and reasonable travel time and travel expenses of the authorized service representative up to (100) miles, round trip, and (2) hours travel time. The purchaser, however, shall be responsible for all expenses related to travel, including time, mileage and shipping expenses on smaller counter models that may be carried into a Factory Authorized Service Center, including the following models: PX-14, PX-16, PI8, and BK-18.
- EXCEPTIONS** All removable parts in BAKERS PRIDE Char-broilers, including but not limited to: Burners, Grates, Radiants, Stones and Valves, are covered for a period of SIX MONTHS.
All Ceramic Baking Decks are covered for a period of THREE MONTHS. The installation of these replacement decks is the responsibility of the purchaser.
The extended Cyclone door warranty years 3 through 5 is a parts only warranty and does not include labor, travel, mileage or any other charges.
- EXCLUSIONS**
- ♦ Negligence or acts of God,
 - ♦ Thermostat calibrations after (30) days from equipment installation date,
 - ♦ Air and Gas adjustments,
 - ♦ Light bulbs,
 - ♦ Glass doors and door adjustments,
 - ♦ Fuses,
 - ♦ Char-broiler work decks and cutting boards,
 - ♦ Tightening of conveyor chains,
 - ♦ Adjustments to burner flames and cleaning of pilot burners,
 - ♦ Tightening of screws or fasteners,
 - ♦ Failures caused by erratic voltages or gas supplies,
 - ♦ Unauthorized repair by anyone other than a BAKERS PRIDE Factory Authorized Service Center,
 - ♦ Damage in shipment,
 - ♦ Alteration, misuse or improper installation,
 - ♦ Thermostats and safety valves with broken capillary tubes,
 - ♦ Accessories - spatulas, forks, steak turners, grate lifters, oven brushes, scrapers, peels, etc.,
 - ♦ Freight - other than normal UPS charges,
 - ♦ Ordinary wear and tear.
- INSTALLATION** Leveling and installation of decks, as well as proper installation and check out of all new equipment - per appropriate installation and use materials - is the responsibility of the dealer or installer, not the manufacturer.
- REPLACEMENT PARTS** BAKERS PRIDE genuine Factory OEM parts receive a (90) day materials warranty effective from the date of installation by a BAKERS PRIDE Factory Authorized Service Center.

This Warranty is in lieu of all other warranties, expressed or implied, and all other obligations or liabilities on the manufacturers part. BAKERS PRIDE shall in no event be liable for any special, indirect or consequential damages, or in any event for damages in excess of the purchase price of the unit. The repair or replacement of proven defective parts shall constitute a fulfillment of all obligations under the terms of this warranty.

Form #U4177A 1/07