



30 Pine Street • New Rochelle • New York • 10801  
 914 / 576 - 0200  
 914 / 576 - 0605 fax  
 1 - 800 - 431 - 2745 US & Canada  
 www.bakerspride.com web address

# LCB-24R/GS

Gas Char Broiler

## PARTS LIST

*Dante*  
SERIES



(LCB-60GS Shown)

Model Number: **LCB-24R/GS**

Serial Number \_\_\_\_\_

**Type of Gas**

Natural

L.P.

Other

# LCB-24R/GS

Gas Char Broiler

30 Pine Street • New Rochelle • New York • 10801

914 / 576 - 0200

914 / 576 - 0605 fax

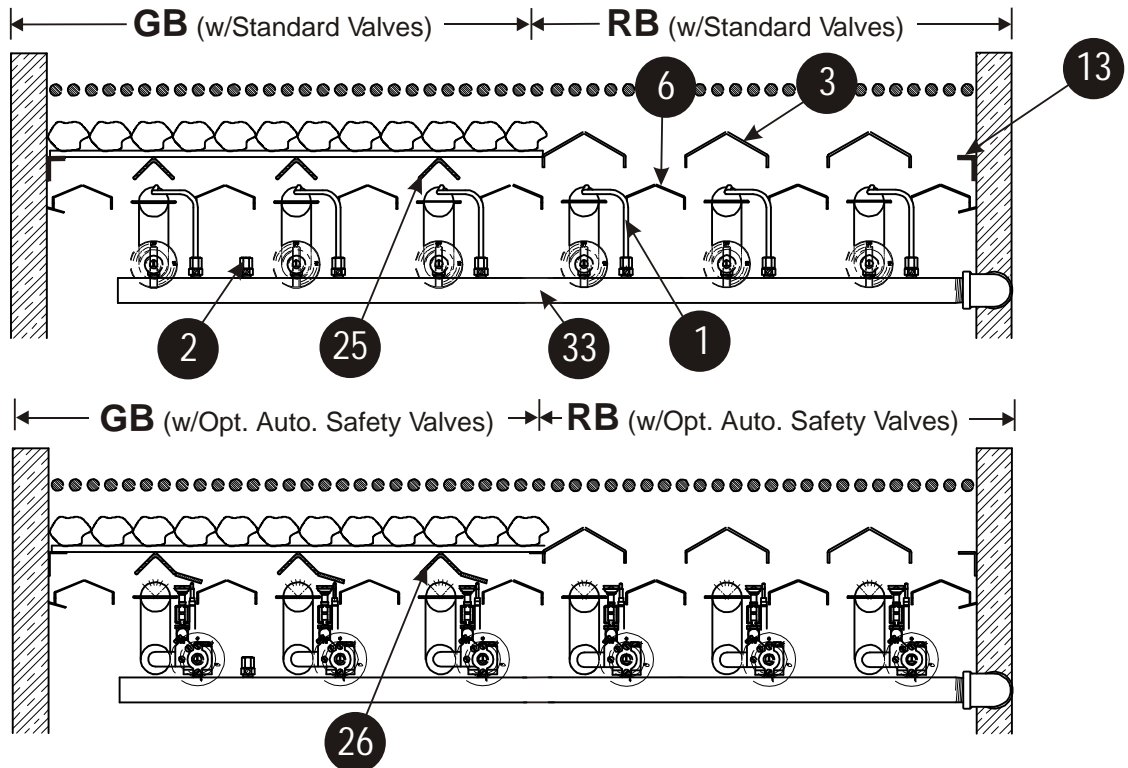
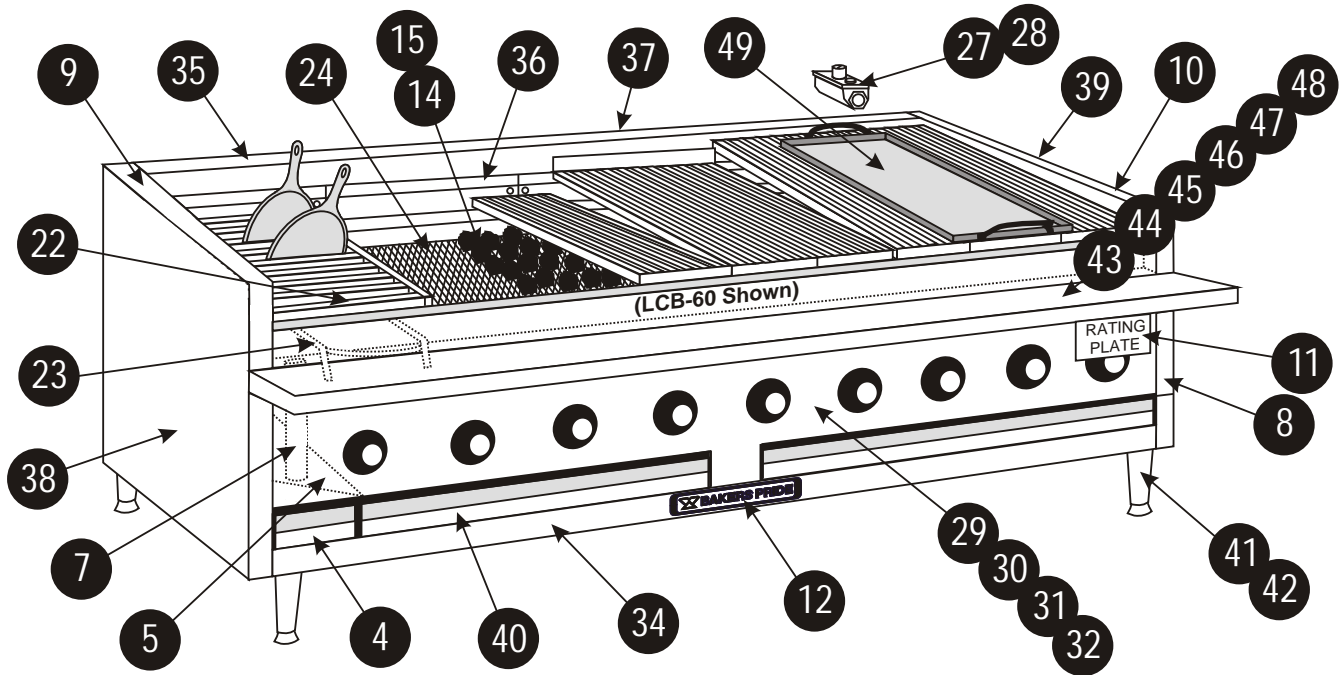
1 - 800 - 431 - 2745 US & Canada

www.bakerspride.com web address



Figure A

## Exterior / Interior





30 Pine Street • New Rochelle • New York • 10801  
 914 / 576 - 0200  
 914 / 576 - 0605 fax  
 1 - 800 - 431 - 2745 US & Canada  
 www.bakerspride.com web address

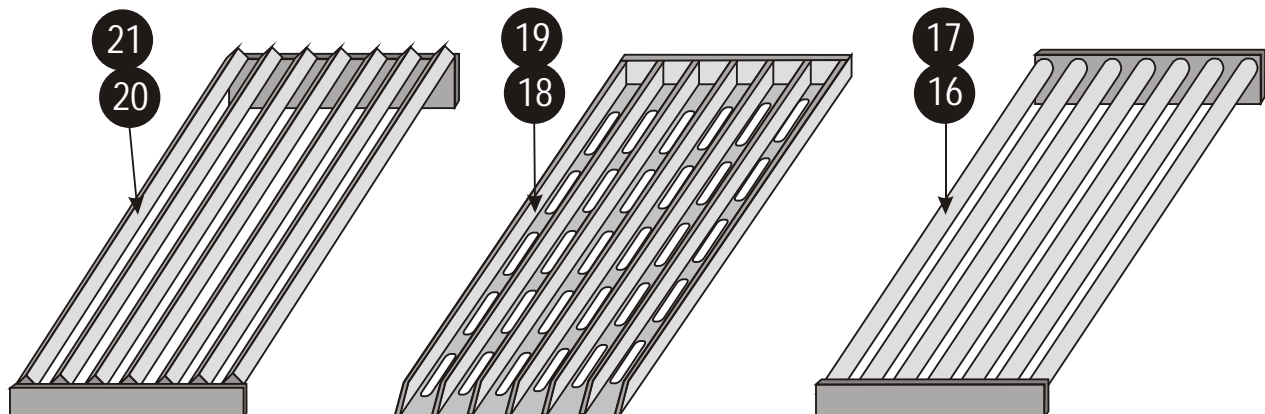
# LCB-24R/GS

Gas Char Broiler

Item	Part #	Description	Item	Part #	Description
<b>Exterior / Interior</b>					
1	R3042X	Pilot Tube, 7 3/8" w/Nut & Ferrule	26	G5041U	Bottom Grate Support (CE) /3
2	N3068P	Pressure Tap Nozzle	27	M1009X	Pressure Regulator 3/4",10"WC (LP)
3	G5073X	Radiant S/S (Standard)	28	M1184X	Pressure Regulator 3/4",3.5"WC(Nat)
4	G5069K	Grease Drawer	29	G5065K	Control Panel-24
5	G5070U	Grease Shield Assy	30	G5066K	Control Panel, CE-24
6	G5072K	Heat Shield	31	U1320A	Control Panel Overlay-24
7	G5032U	Grease Drain Assy-24	32	U1325A	Control Panel Overlay, CE-24
8	G5212K	Manifold Cover	33	R1119A	Manifold-24
9	G5060K	Side Trim, Left	34	G5058K	Front Trim-24
10	G5061K	Side Trim, Right	35	G5059K	Back Trim-24
11	G5205K	Rating/Instruction Plate Mount	36	G5042K	Top Grate Support, 20 1/2" /1
12	U1044X	Bakers Pride Name Plate, 8"	37	G5051K	Outer Back-LCB24
13	G5039K	Bottom Grate Support, L or R Side	38	G5056K	Outer Side, Left-LCB
14	T1047X	Glo-Stones, 1/2 Lot (20#)	39	G5057K	Outer Side, Right-LCB
15	T1048X	Glo-Stones, Full Lot (40#)	40	G5067K	Drip Pan, 16 1/2" /1
16	T1197X	Top Roll-A-Grate, 9" (Standard) /1	41	S1014Y	Legs, 4" (Optional) each
17	T1198X	Top Roll-A-Grate, 6" (Standard) /2	42	S1014X	Legs, 4" (Optional) Set/4
18	T1212A	Top Grate, 6", Cast Iron (Optional)	43	G5035K	Work Deck-24
19	T1216A	Top Grate, 4 1/2", Cast Iron (Optional)	44	G5031U	Front Brace Assy-24
20	T1210X	Meat Grate, 6" (Optional)	45	G5286K	Work Deck-24, 10"
21	T1211X	Meat Grate, 9" (Optional)	46	G5289U	Front Brace Assy-24, 10"
22	T1213T	Fajita Top Grate (Optional)	47	G5306K	Work Deck-24, 12"
23	T1214T	Fajita Bottom Grate (Optional)	48	G5307K	Front Brace Assy-24, 12"
24	T1201A	Bottom Grate, S/S, 20" /1	49	T1209U	Breakfast Griddle, 11"W (Optional)
25	G5040U	Bottom Grate Support /3			

**Figure B**

## Grates



# LCB-24R/GS

Gas Char Broiler

30 Pine Street • New Rochelle • New York • 10801

914 / 576 - 0200

914 / 576 - 0605 fax

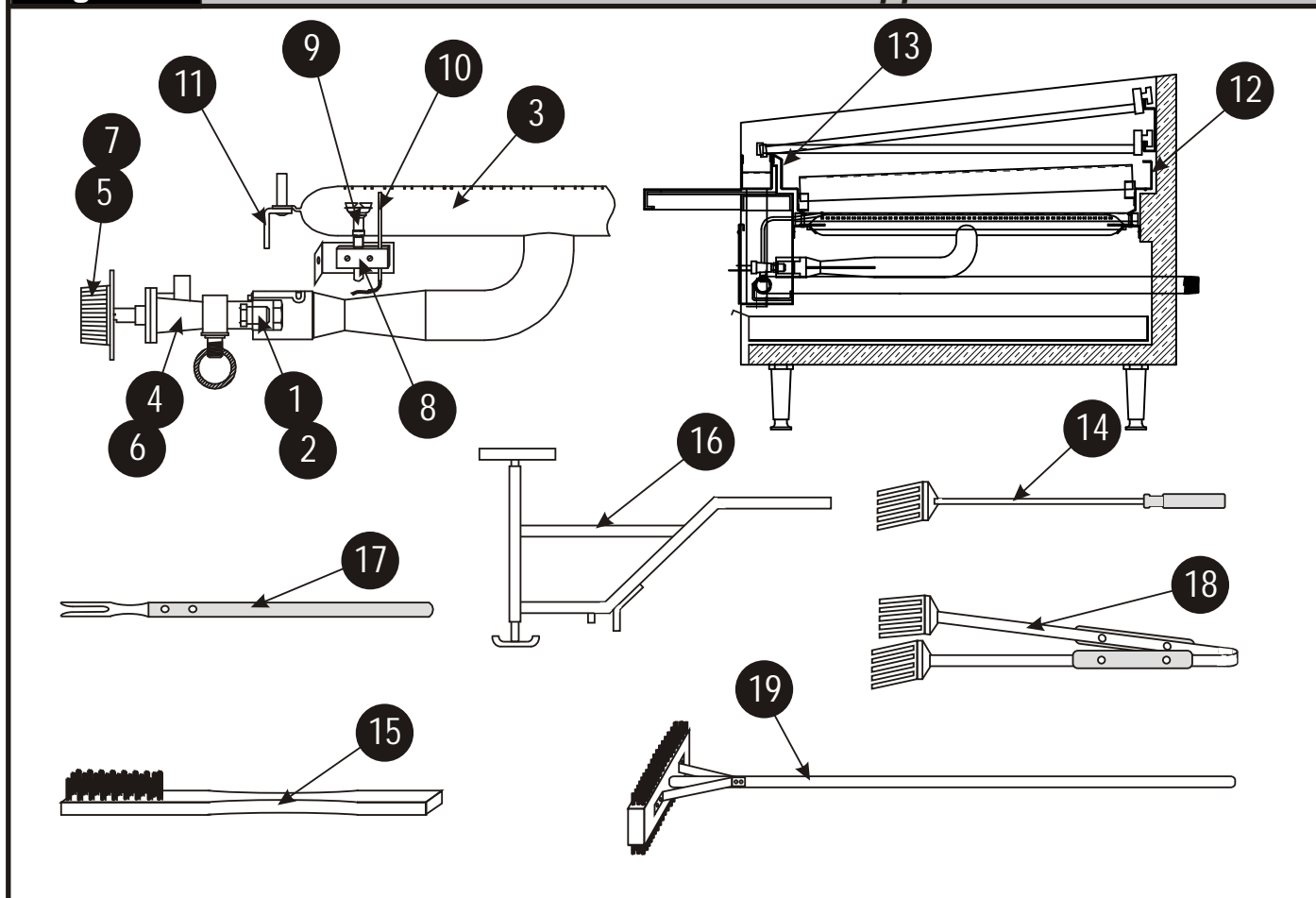
1 - 800 - 431 - 2745 US & Canada

www.bakerspride.com web address



**Figure C**

## Burner / Accessories / Supports



Item	Part #	Description	Item	Part #	Description
1	R3136X	Hood Orifice #54 (LP)	11	G5028U	Burner Support Assy, 17" /2
2	R3130X	Hood Orifice #44 (Nat)	12	G5044U	Radiant Support Assy, Rear 18" /1
3	L5077X	Burner, Center Feed	13	G5046U	Radiant Support Assy, Front 18" /1
4	R3032X	Gas Valve	14	T5018V	Spatula, Chef-Aide, 20" Single
5	S1094X	Knob, Gas Valve	15	T5017X	Wire Brush, Chef-Aide, 18"
6	R3128X	Gas Valve (used w/Pilot Safety)	16	G5221U	Grate Lifter
7	S1301X	Knob, Gas Valve, CE (used w/Pilot Safety)	17	T5016A	Meat Fork
8	G5064K	Pilot Bracket (used w/Pilot Safety)	18	T5019V	Steak Turner
9	M1359X	Pilot Burner (used w/Pilot Safety)	19	T5104V	Twin Head Grate Brush
10	M1358X	Thermocouple, 10" (used w/Pilot Safety)			

### Conversion Kit (LP to Nat)

### Conversion Kit (Nat to LP)

3	R3130X	Hood Orifice #44 (Nat)	3	R3136X	Hood Orifice #54 (LP)
1	M1184X	Pressure Regulator 3/4", 3.5"WC (Nat)	1	M1009X	Pressure Regulator 3/4", 10"WC (LP)