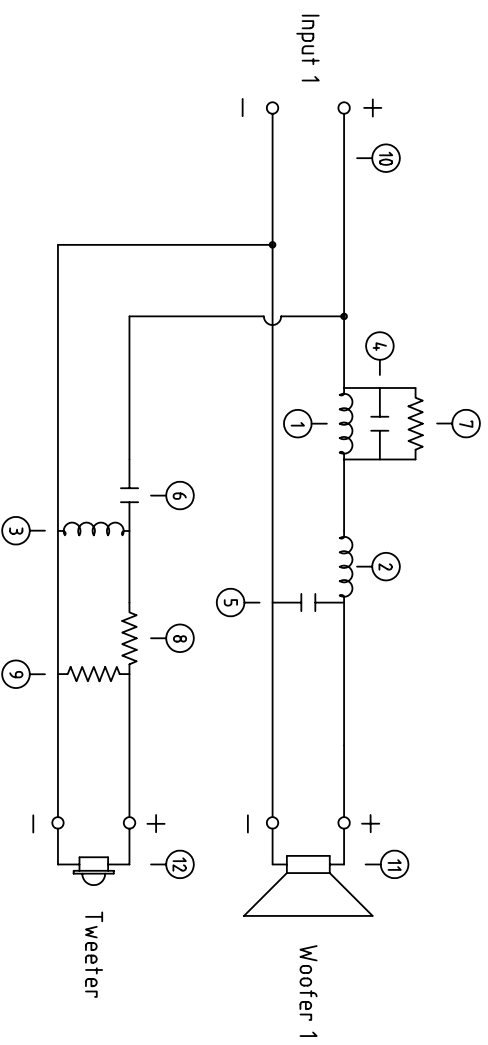


No.	Part	Qty.
1	0.85mH Air wound Inductor 1.1mm wire	1
2	1mH Air wound Inductor 1.1mm wire	1
3	0.2mH Air wound Inductor 1.0mm wire	1
4	10 μ F Electrolytic Capacitor 100V	1
5	5.6 μ F Electrolytic Capacitor 100V	1
6	3.3 μ F Electrolytic Capacitor 100V	1
7	12 Ω Wire wound Resistor 5W	1
8	3.3 Ω Wire wound Resistor 5W	1
9	12 Ω Wire wound Resistor 5W	1
10	16 gauge twin wire, 150mm long 5.2 mm (+) and 2.8 mm (-) spades	1
11	16 gauge twin wire, 200mm long 5.2 mm (+) and 2.8 mm (-) spades	1
12	22 gauge twin wire, 250mm long 5.2 mm (+) and 2.8 mm (-) spades	1



Item:	Part:	Drawn:	Client:
1	Crossover Circuit	A. Ramlow	Betetec Industries
2	Nil	Issued 20.02.2003	Title: Aaron SS-120
		Scale: 1 : 5	Drawing No. SS-120
			Sheet No. 1