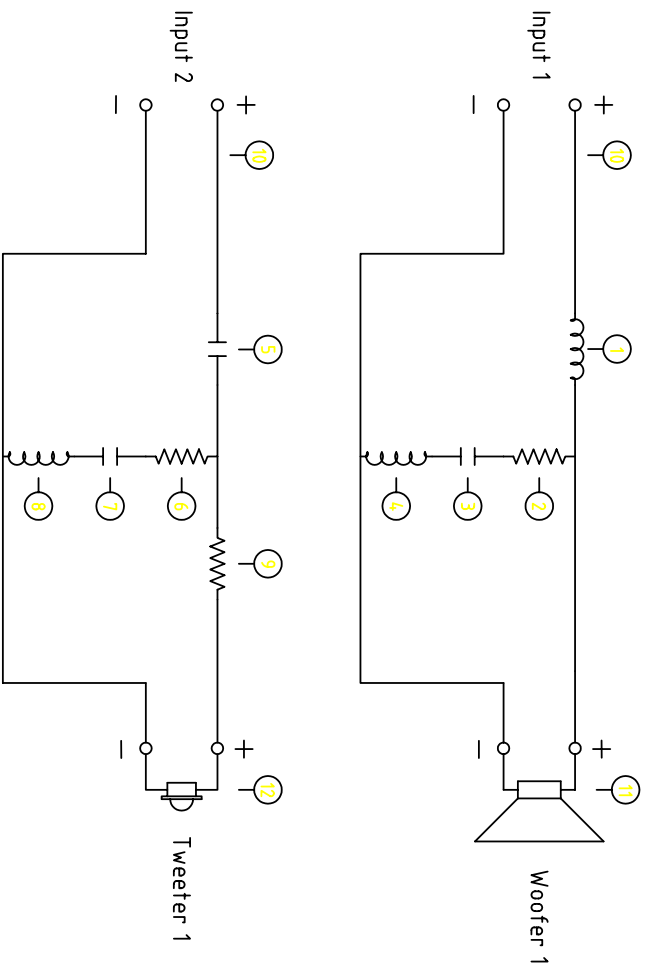


No.	Part	Qty.
1	12mH Air wound Inductor 1.1mm wire	1
2	15Ω Wire wound Resistor 10W	1
3	55μF Electrolytic Capacitor 100V	1
4	0.64mH Air wound Inductor 1.0mm wire	1
5	3.3μF MEA Capacitor 100V	1
6	12Ω Wire wound Resistor 10W	1
7	44μF Electrolytic Capacitor 100V	1
8	0.85mH Air wound Inductor 1.0mm wire	1
9	3.3Ω Wire wound Resistor 10W	1
10	16 gauge twin wire, 200mm long 5.2 mm (+) and 2.8 mm (-) spades	2
11	16 gauge twin wire, 190mm long 5.2 mm (+) and 2.8 mm (-) spades	1
12	16 gauge twin wire, 170mm long 5.2 mm (+) and 2.8 mm (-) spades	1



Item:	Part:	Drawn:	Client:
1	Crossover Circuit	A. Ramlow	Betatec Industries
2	Nil	Issued 25.10.2005 Scale: 1 : 5	Title: Aaron HSS-300 Drawing No. HSS-300 Sheet No. 1