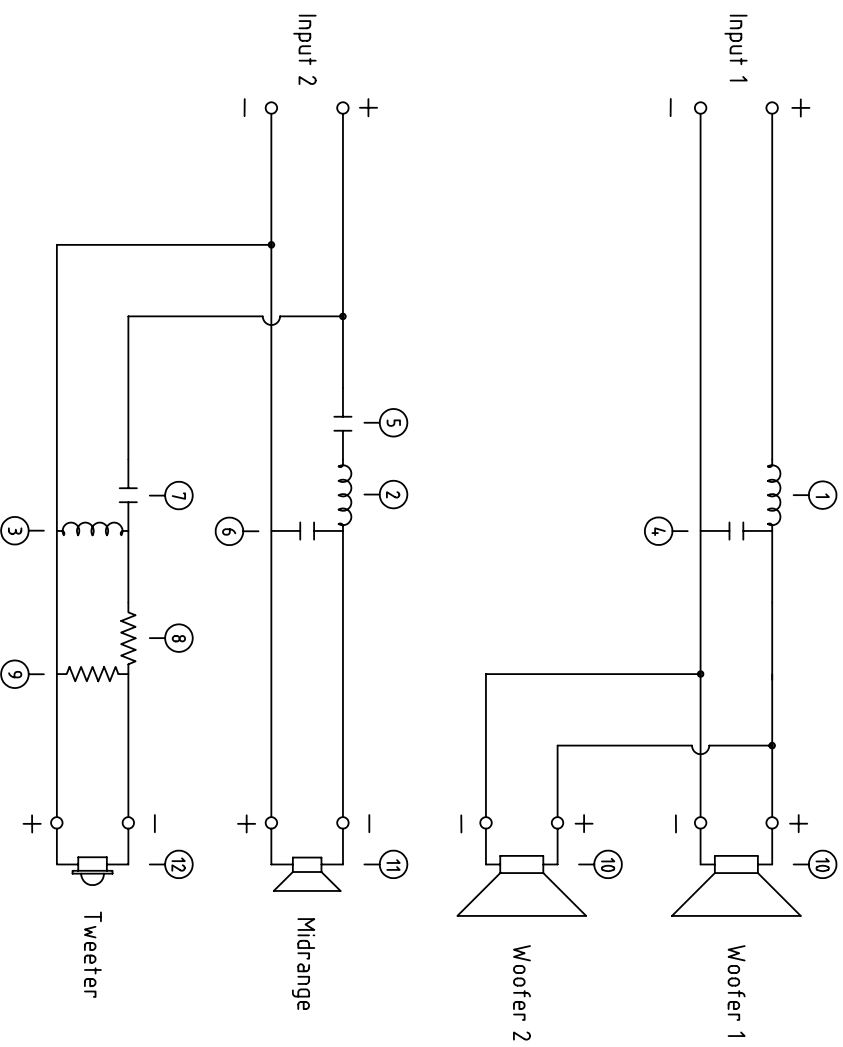


No.	Part	Qty.
1	2.2mH Air wound Inductor 1.1mm wire	1
2	0.55mH Air wound Inductor 1.0mm wire	1
3	0.16mH Air wound Inductor 1.0mm wire	1
4	22 μ F Electrolytic Capacitor 100V	1
5	10 μ F Electrolytic Capacitor 100V	1
6	4.7 μ F Electrolytic Capacitor 100V	1
7	3.3 μ F Electrolytic Capacitor 100V	1
8	1.2 Ω Wire wound Resistor 5W	1
9	33 Ω Wire wound Resistor 5W	1
10	16 gauge twin wire, 400mm long 5.2 mm (+) and 2.8 mm (-) spades	2
11	22 gauge twin wire, 500mm long 5.2 mm (+) and 2.8 mm (-) spades	1
12	22 gauge twin wire, 530mm long 5.2 mm (+) and 2.8 mm (-) spades	1



Item:	Part:	Drawn:	Client:
1	Crossover Circuit	A. Ramlow	Betatec Industries
2	Nil	Issued 14.02.2003	Title: Aaron ATS-4
		Scale: 1 : 5	Drawing No: ATS-4
			Sheet No: 1