

USER'S MANUAL

AOD/ATS 238 (23.8") metal case monitor



Standard type,
also available as:



Black panelmount



RVS panelmount



Hinges



A1Touch Solution BV

Hogeweg 21
NL-6367 BA Voerendaal
The Netherlands

☎ : +31-(0)45 574 81 90

📄 : +31-(0)45 574 81 91

✉ : info@A1TouchSolution.nl

🌐 : www.A1TouchSolution.nl

Contents:

1. Monitor User's Manual

- 1.0. Connection to the monitor
- 1.1. Installation
- 1.2. Features
- 1.3. Plug and play function
- 1.4. Safety Precaution
- 1.5. OSD (On-Screen-Menu)
- 1.6. OSD Menu
- 1.7. Specifications
- 1.8. Contents of the retail package
- 1.9. Troubleshooting
- 1.10. Drawing

2. Touch options

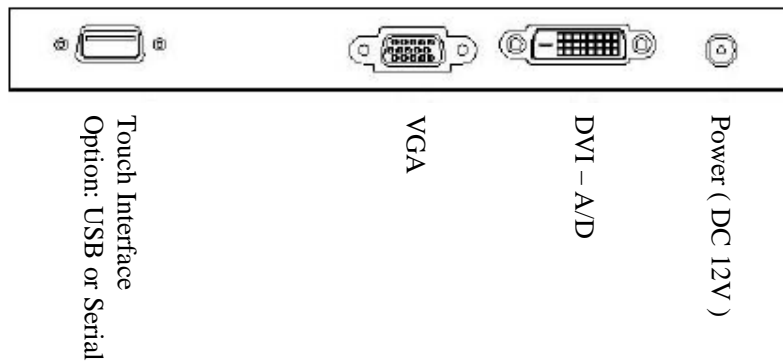
- 2.0. Projected capacitive

3. Mounting

- 3.0. Overview
- 3.1. Plain
- 3.2. Brackets
- 3.3. Panel mounting
- 3.4. Wall mounting

1. Monitor User's Manual

1.0 Connection To the Monitor



1.1 Installation

- Connect the signal(VGA) cable to the VGA port of computer. Tighten the two thumbscrews by turning clockwise.
- You can adjust the connection for your PC environment.
- Plug the DC cord of the AC adapter to the power connector and the plug the end of AC adapter to and electrical outlet socket(110V/220V)
- Connect DC cord of adapter (12V DC) to the monitor..

1.2 Features

- AOD/ATS 215 is a Full HD (1920x 1080 pixels) LCD monitor.
- You can adjust brightness, contrast, horizontal & vertical positions by OSD menus and use auto adjust function for instant adjustment.
- High-qualified LCD Controller inside
- Compact space saving design and power saving mode
- 100% compatible with Windows PC environment without the installation of driver CD or software program.

1.3 Plug and Play Function

AOD/ATS 215 can be installed and connected automatically to any computer systems without driver CD or software programs. Monitor will recognize the optimized value of video mode by DDC(Display Data Channel) method that makes the graphic card of computer to communicate with the monitor.

AOD215 supports VESA DDC 1/2B.

1.4 Safety Precaution

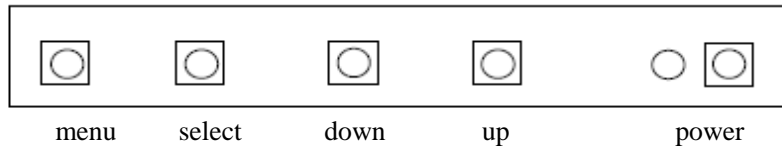
We strongly recommend that you carefully read this User's Manual before operating your LCD monitor. FOLLOW INSTRUCTIONS in this manual.

Please read and comprehend all using directives before use this machine.

- **Power**
Use the type of power indicated on the marking label.



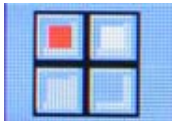

- **Adapter**
Only use an adapter designed of the LCD monitor.
- **Plug**
Do not remove any of the prongs of the monitor's three-pronged power plug.
Disconnect the power plug from the AC outlet if you will not use it for an indefinite period of time.
- **Power and extension cord**
- Use the proper power cord with ground conductor
Do not overload wall outlets or power cords. Ensure that the total of all units plugged into the wall outlet does not exceed 7 amperes.
Do not allow anything to rest on the power cord. Do not locate this product where persons will walk on the cord.
- **Care and maintenance**
Slots and openings in the cabinet are provided for ventilation. Do not block or cover these openings. Do not push objects of any kind into cabinet slots or openings. The screen surface is easily scratched. Do not use paper towels to clean the display. Avoid touching it with your fingers, pens, or pencils.
- Turn off the AC adapter and the monitor over long periods when not in use.

1.5 OSD (On-Screen-Menu)



Button	Function	Status
POWER	Power ON or OFF	ON/OFF
LED	Indicate working status	Green: On Red: Stand-by Orange: No signal
UP	Launch OSD Menu or add value	Move to OSD Menu
DOWN	Launch OSD Menu or add value	Move to OSD Menu
SELECT	Select OSD Menu	
MENU	On /Off OSD Menu	

1.6 OSD Menu

OSD Menu		Description	Remarks		
Picture 	Brightness	Adjust the brightness of the screen			
	Contrast	Adjust the contrast of the screen			
	H.Position	Adjust the horizontal position of the screen's image	Only usable on analog mode		
	V.Position	Adjust the vertical position of the screen's image			
	Phase	Adjust the focus of the screen's image			
	Clock	Adjust the horizontal size of the screen's image			
	Auto adjust	Automatically adjust the horizontal position, vertical position, horizontal size, and phase window's			
Color 	Color temp	User Reddish Bluish	Control the temperature of the color		
	Red		Control the intensity of the color of screen's image (usable when color temperature is USER mode.)	Only usable on analog mode	
	Green				
	Blue				
	Auto color		Adjust the color balance of the screen		
OSD 	Language	English French German Spanish Italian Korean Japanese	Select one of the seven language	Usable in all Mode.	
	OSD H. Posi.		Select OSD MENU horizontal position		
	OSD V. Posi.		Select OSD MENU vertical position		
	OSD Timer		OSD MENU disappear from over the screen after setting time		
	Transparency		Adjust the transparency of the OSD menu		
Misc. 	Language	English French German Spanish Korean	Select one of the five language	Usable in all Mode.	
	Recall		Initialize the current mode & setting value		
	Input select	Analog			Analog signal (RGB)
		Digital			DVI digital signal
	Audio		Audio ON/Off select		
	Volume		Adjust volume level		

1.7 Specifications

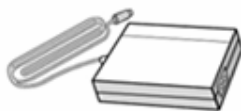
AOD238 VGA+DVI, 23.8 inch metal case monitor with glare Projected Capacitive 10 pts touch

Black powdered monitor.	For panelmount version with full glass toplayer
Model:	M238HVN01.0 (AUO)
Type:	23.8 inch, 16:9, a-Si TFT-LCD
Resolution (max):	1920 x 1080
Color:	16,7 million
Pixel:	0.2745x0.2745 mm (HxV)
Brightness:	250 cd/m ²
Contrast ratio:	3000:1
Viewing angle:	89°-89° (Hor) / 89°-89° (Vert)
Respon time	5 ms
Active area:	527.04x296.46 mm (HxV)
VGA input	VGA + DVI
Plug and play:	Yes VESA DDC 1/2B
Power:	12 Volts, Adapter included
Power consumption:	29 watt stand, 40 watt max.
Power consumption stand by:	4 watt max.
Temperature opration mode:	0 °C - 50 °C
Humidity operation mode:	10% ~ 90% R.H.
Size	Enclosure 560x337x50 mm (wxd); For PCAP Panel mount front glass : 591x358x4 mm
Weight	~9 Kg
Mounting:	VESA 200x100mm
Users Mode:	OSD Key Menu / Select / Power / Down / Up
Compatibility:	VESA / IBM / MAC

1.8 Contents of the Retail Package



Monitor



AC/DC Adapter



Power cord



VGA Cable (option)



DVI Cable

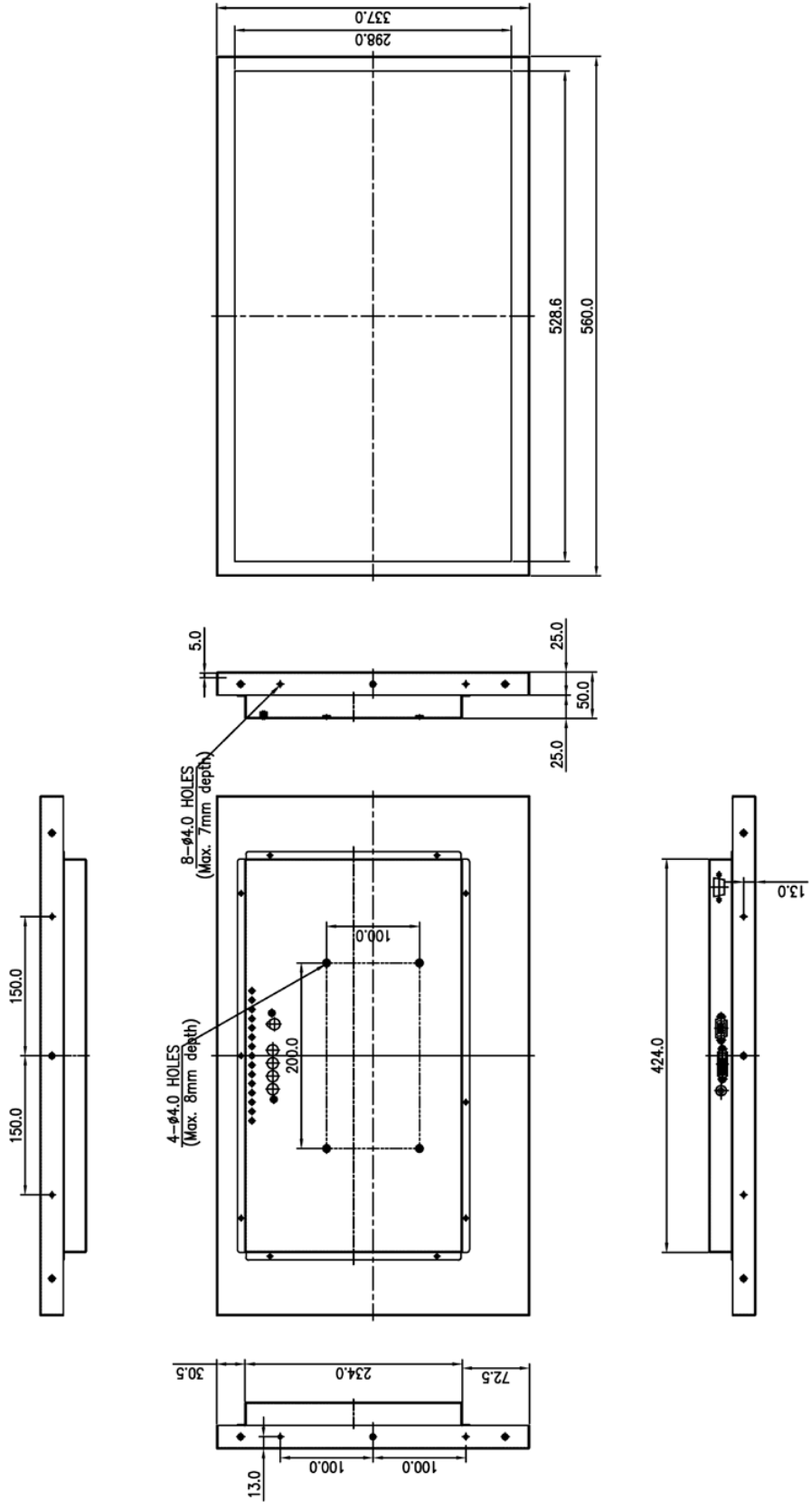
1.9 Troubleshooting

TO REDUCE THE RISK OF ELECTRIC SHOCK, DO NOT REMOVE COVER.
NO USER-SERVICEABLE PARTS INSIDE.
REFER SERVICING TO QUALIFIED SERVICE PERSONELLE.

- The monitor does not respond after you turn on the system.
- Make sure that the monitor is turned on.
- Turn off the power and check the monitor's power cord, AC adapter, and signal cable for proper connection.
- Appear the " No Input the Signal"
- Check the connecting of the audio cable between the monitor and the computer.
- Appear the " Input Not the Supported"
- Input signal are insuperable, reset the video mode.
- The appearance is not at the screen center.
- Use "AUTO ADJUST", refer to the Controls section.
- The characters on the screen are too dim or too bright
- Choose fit color temperature, use "AUTO COLOUR ADJUST or manually adjust
- "RGB ADJUSTMENT, refer to the Control section.

1.10 Drawing

ITEM	DESCRIPTION	MATERIAL	QTY	SIZE	DRAW NO	REMARKS
	ASSEMBLY	EGI	1			



PART APPLICATION		REVISION		Standard measurement tolerance		30° ANGLE PROJECTION		A1Touch Solution BV		NAME		ASSA'Y	
LCD PANEL		1		Above 0.5	Below 3	±0.05	SCALE	1/5	DESIGNED	APPROVED	MODEL	A6230	
INVERTER BOARD		2		3.0 ~ 6.0	±0.1	UNIT	mm	PROJECTION	REVIEWE		DRAW NO	ID238CRDN-001	
AD BOARD		3		6.0 ~ 30.0	±0.15	DATE							
		4		30.0 ~ 120.0	±0.2								
		5		120.0 ~ 315.0	±0.3								
		6		315.0 ~ 1000.0	±0.4								
		7		1000.0 ~ 2000.0	±0.5								

2. Touch Options

2.0 Touch-options related to monitor size

	Resistive			SAW			CAP		PROJ. CAP	IR	Optical Touch
	4Wire	5Wire	Dual Touch	3mm	6mm	protected	3mm	6mm			
23.8"	X	S	X	X	X	X	S	X	O	S	X

Aviable
 Not aviable
 On demand

2.1 Option: Projected-capacitive-touchscreen

Projected capacitive sensor Glass

Chemical resistance

Contact bounce

Break resistance

Activation force

Input modus

Surface hardness

Resolution

Position accuracy (linearity)

Operating life

Light transmission

Heat tempered glas, glare is standard, non glare is option
 Tempered glass with ceramic black borders, C-grinded, r=2mm
 Acetone, ammonia-based glass cleaners, hexane, isopropyl alcohol, methylene chloride, mineral spirits, turpentine, methyl ethyl ketone, gasoline, kerosene, vinegar.

Around 5 ms for finger contact

Meets UL-1950 steel ball drop test

No activation force needed

Finger, glove hand (rubber, cloth, leather)

Mohs' hardness rating: 7

2048x2048

less then 1%

∞

90% ±2%

Projected capacitive controller

Power consumption controller

Interface

Operating Temperature

Relative Humidity

Resolution

Report rate

Response time

Support operating system (eGAlax_eMPIA-controller)

USB is standard, RS232 (option)

50mA typical, 50mV peak to peak maximum ripple and noise

USB: 1.1 Full Speed ('plug-and-play' compatible is standard)

-25 to 80°C

95% at 60°C, RH Non-condensing

2048x2048

USB: Single touch Max. 200 points/sec

Dual touch Max. points/sec each

Max. 20ms

Microsoft Windows: ME/2000, 9x/XP/Vista/7

CE 2.12/3.0/.net/5.0/6.0 ; Embedded ; XP Tablet PC edition

Mac OS9, Mac OS X,(IBM, Intel CPU)

Linux: Red Hat (7.3/8.0/9.0), Mandrake (9.1/9.1/10) SuSE

(9.2,9.3,10,10.1) Fedora (Core I ,II ,III,IV,V,VI)

Yellow (Dog 3.x), Debian (Kernel 2.4.X/2.6.X), Ubuntu (5.1,6.06),

Mandriva (2005,2006)

Android 2.0 – Google , Moblin V2 - Intel

QNX: RTOS v6.3

Interface



USB (standard)



RS232 with PS/2

3. Mounting

3.0 overview

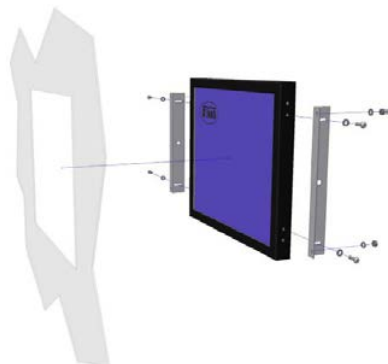
- 3.1. Plain
- 3.2. Brackets
- 3.3. Panel mounting
- 3.4. Wall mounting

3.1 Plain



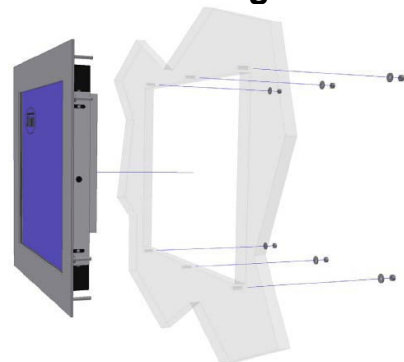
Metal case monitor

3.2 Brackets



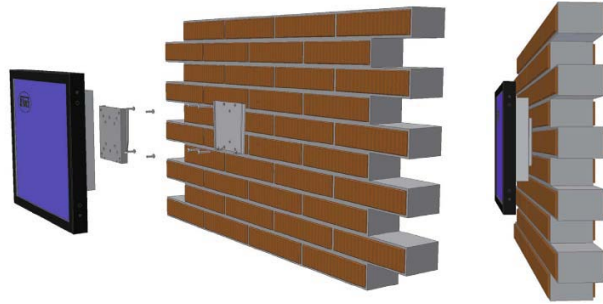
Metal case monitor + 2x brackets

3.3 Panel-mounting



Metal case monitor + bezel + 2x brackets

3.4 Wall mounting



Metal case monitor + New Star TV Wallmount (FPMA-W115)