



AWTSL503MT Monitor

USER MANUAL

ISSUED OCTOBER 2018

⚠ WARNING

Failure to follow all instructions and safety precautions in this manual, in the vehicle and body manufacturers' manuals and on the safety decals attached to the vehicle, body and this product could result in serious injury or death to operators, service technicians or bystanders and/or damage to property.

DO NOT operate the vehicle or install this product before you READ and UNDERSTAND the vehicle Operation Manual, this manual and other applicable manufacturers' manuals, and all safety decals. This product must be installed by certified technicians/installers familiar with the vehicles on which they will be making the installation.



TABLE OF CONTENTS

Monitor

| | |
|--------------------------------|-----------|
| AWTSL503MT | 3 |
| Features | 4 |
| Package Contents | 5 |
| Dimensions | 6 |
| Menu Structure | 7 |
| Operation and Connection | 8 |
| Signal Cable Description | 9 |
| Index | 11 |

USER MANUAL

SAFETY PRECAUTIONS

Federal Communications Commission (FCC) Statement

This Equipment has been tested and found to comply with the limits for a Class B digital device, pursuant to Part 15 of the FCC rules. These limits are designed to provide reasonable protection against harmful interference in a residential installation. This equipment generates, uses and can radiate radio frequency energy and, if not installed and used in accordance with the instructions, may cause harmful interference to radio communications. However, there is no guarantee that interference will not occur in a particular installation. If this equipment does cause harmful interference to radio or television reception, which can be determined by turning the equipment off and on, the user is encouraged to try to correct the interference by one or more of the following measures:

- Reorient or relocate the receiving antenna.
- Increase the separation between the equipment and receiver.
- Connect the equipment into an outlet on a circuit different from that to which the receiver is connected.
- Consult the dealer or an experienced radio / TV technician for help.

You are cautioned that changes or modifications not expressly approved by the party responsible for compliance could void your authority to operate the equipment.

NOTICE

This device complies with Part 15 of the FCC Rules. Operation is subject to the following two conditions:

1. This device may not cause harmful interference and,
 2. This device must accept any interference received, including interference that may cause undesired operation
-

USER MANUAL

2

PRODUCT DOCUMENTATION UPDATES

Thank you for purchasing our product. Please read this User Manual before using the product. All product documentation is subject to change without notice. Please go to www.3rdeyecam.com to get the most current documentation for your 3rd Eye products.



USER MANUAL
AWTSL503MT

3

AWTSL503MT MONITOR
5" SLIM LINE MONITOR (LED BACKLIGHTED)

USER MANUAL
ISSUED OCTOBER 2018
3E-AWTSL503MT-UM-1018

Issued October 2018

Copyright 2018, 3rd Eye
Printed in U.S.A.

USER MANUAL

AWTSL503MT

4

FEATURES

This 5" monitor is built with Die Cast Aluminum Housing to increase shock and vibration resistance while maintaining a smaller footprint within the cab. Maximize your budget dollars and lower your risk with this state-of-the-art Slim Line Camera system.

1. 5" Display with LED Panel Technology
2. Back light 500 cd/m²
3. New LED Panel Technology – Reduced Heat
4. Resolution 640x(RGB)x480 Pixels
5. Auto Detection for NTSC / PAL System
6. Composite CVBS (FBAS)
7. View angle Left 70°, Right 70°, Up 50°, Down 70°
8. Dimmer Auto/Manual
9. Support up to 3 CCD Camera inputs (Mini din connector)
10. Triggers 12-32 Volt DC (adjustable delay time 0-9 seconds)
11. Voltage 12V – 32V DC
12. Current Max. 850mA
13. Menu Languages English/ Spanish/French/German/Italian/Dutch/Finnish
14. Features Rubber Painted, Lighted Buttons
15. Monitor Bracket

USER MANUAL

AWTSL503MT

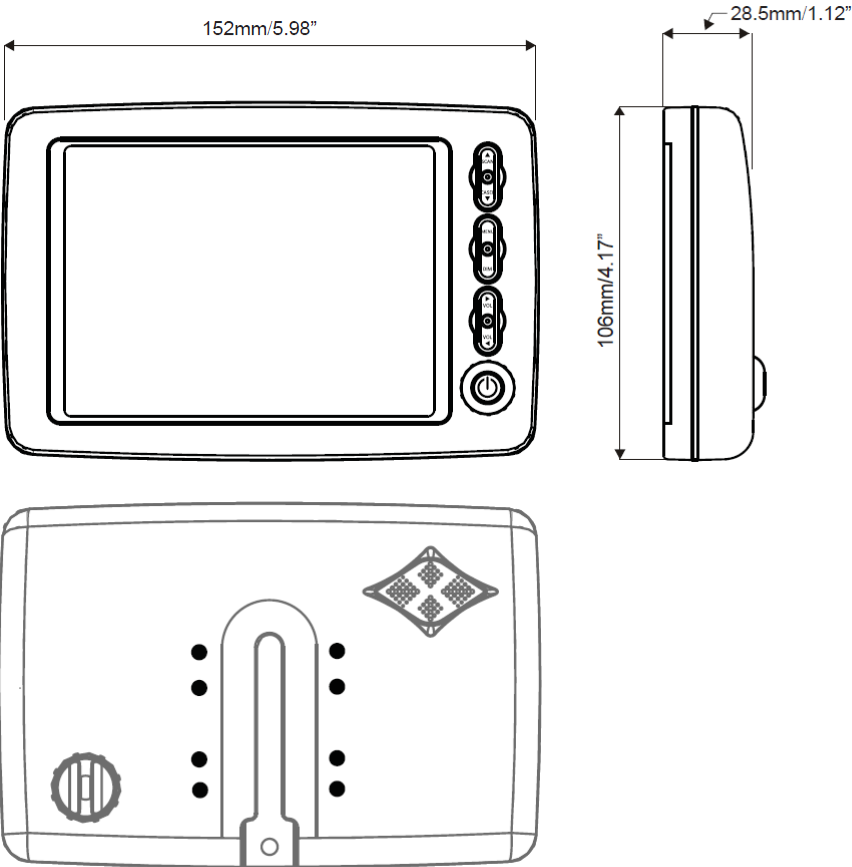
PACKAGE CONTENTS

| ITEM | QTY |
|---------------------|-----|
| 1. 5" LCD Monitor | 1 |
| 2. Sun-Hood | 1 |
| 3. Mounting Bracket | 1 |
| 4. Accessories | 1 |
| 5. Control Cable | 1 |
| 6. User Manual | 1 |

USER MANUAL

AWTSL503MT

DIMENSIONS



Issued October 2018
Dimensions

Copyright 2018, 3rd Eye
Printed in U.S.A.

USER MANUAL

AWTSL503MT

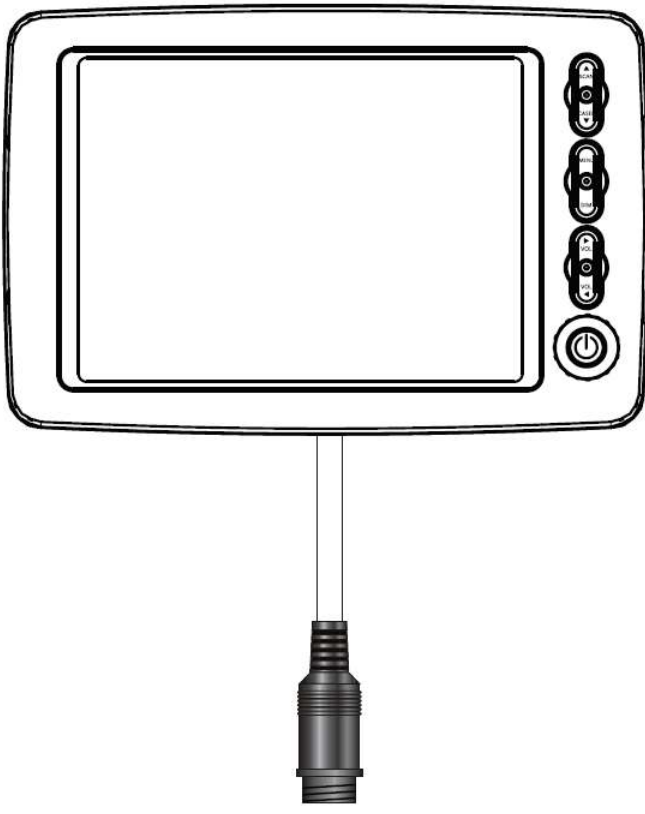
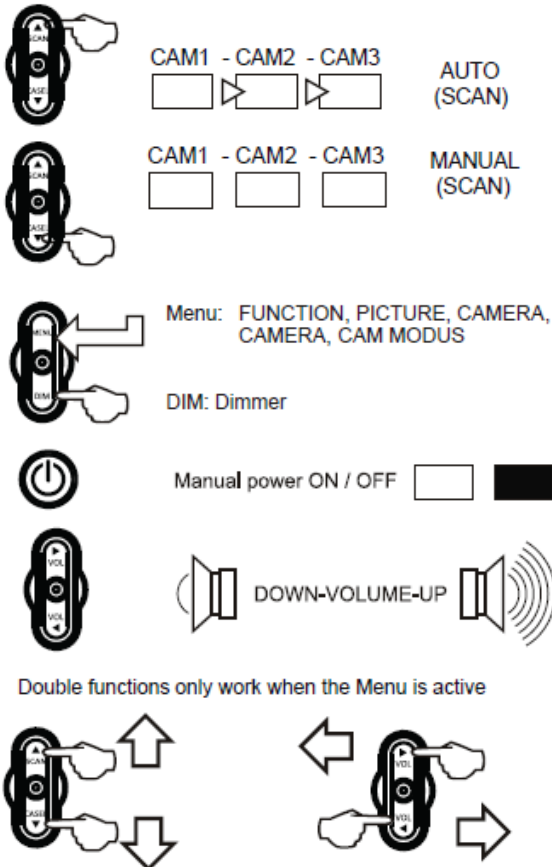
MENU STRUCTURE

| <table border="1" style="width: 100%;"> <tr><th colspan="2">FUNCTION</th></tr> <tr><td>LANGUAGE</td><td>ENGLISH</td></tr> <tr><td>POWER</td><td>ON/OFF</td></tr> <tr><td>RESET</td><td>▶</td></tr> </table> | FUNCTION | | LANGUAGE | ENGLISH | POWER | ON/OFF | RESET | ▶ | FUNCTION | LANGUAGE POWER RESET | ENGLISH ON/OFF > | | | | | | |
|---|---------------|--|------------|---------------|------------|---------------|------------|---------------|------------|----------------------------|----------------------------|---|---|---|--------|--|--|
| FUNCTION | | | | | | | | | | | | | | | | | |
| LANGUAGE | ENGLISH | | | | | | | | | | | | | | | | |
| POWER | ON/OFF | | | | | | | | | | | | | | | | |
| RESET | ▶ | | | | | | | | | | | | | | | | |
| <table border="1" style="width: 100%;"> <tr><th colspan="2">PICTURE</th></tr> <tr><td>CONTRAST</td><td>50</td></tr> <tr><td>BRIGHTNESS</td><td>50</td></tr> <tr><td>COLOR</td><td>50</td></tr> <tr><td>TINT</td><td>50</td></tr> </table> | PICTURE | | CONTRAST | 50 | BRIGHTNESS | 50 | COLOR | 50 | TINT | 50 | PICTURE | CONTRAST BRIGHTNESS COLOR TINT | 0-100 0-100 0-100 0-100 | | | | |
| PICTURE | | | | | | | | | | | | | | | | | |
| CONTRAST | 50 | | | | | | | | | | | | | | | | |
| BRIGHTNESS | 50 | | | | | | | | | | | | | | | | |
| COLOR | 50 | | | | | | | | | | | | | | | | |
| TINT | 50 | | | | | | | | | | | | | | | | |
| <table border="1" style="width: 100%;"> <tr><th colspan="2">CAMERA</th></tr> <tr><td>CAM 1 SCAN</td><td>4</td></tr> <tr><td>CAM 2 SCAN</td><td>4</td></tr> <tr><td>CAM 3 SCAN</td><td>4</td></tr> <tr><td>CAM 1 TRIG</td><td>4</td></tr> <tr><td>CAM 2 TRIG</td><td>4</td></tr> <tr><td>CAM 3 TRIG</td><td>4</td></tr> </table> | CAMERA | | CAM 1 SCAN | 4 | CAM 2 SCAN | 4 | CAM 3 SCAN | 4 | CAM 1 TRIG | 4 | CAM 2 TRIG | 4 | CAM 3 TRIG | 4 | CAMERA | CAM 1 SCAN CAM 2 SCAN CAM 3 SCAN CAM 1 TIME CAM 2 TIME CAM 3 TIME | 0-9 0-9 0-9 0-9 0-9 0-9 |
| CAMERA | | | | | | | | | | | | | | | | | |
| CAM 1 SCAN | 4 | | | | | | | | | | | | | | | | |
| CAM 2 SCAN | 4 | | | | | | | | | | | | | | | | |
| CAM 3 SCAN | 4 | | | | | | | | | | | | | | | | |
| CAM 1 TRIG | 4 | | | | | | | | | | | | | | | | |
| CAM 2 TRIG | 4 | | | | | | | | | | | | | | | | |
| CAM 3 TRIG | 4 | | | | | | | | | | | | | | | | |
| <table border="1" style="width: 100%;"> <tr><th colspan="2">CAMERA</th></tr> <tr><td>CAM 1 N/M</td><td>NORMAL/MIRROR</td></tr> <tr><td>CAM 2 N/M</td><td>NORMAL/MIRROR</td></tr> <tr><td>CAM 3 N/M</td><td>NORMAL/MIRROR</td></tr> <tr><td>CAM 1 DIST</td><td>ON/OFF</td></tr> </table> | CAMERA | | CAM 1 N/M | NORMAL/MIRROR | CAM 2 N/M | NORMAL/MIRROR | CAM 3 N/M | NORMAL/MIRROR | CAM 1 DIST | ON/OFF | CAMERA | CAM 1 N/M CAM 2 N/M CAM 3 N/M CAM 1 DIST | NORMAL/MIRROR NORMAL/MIRROR NORMAL/MIRROR ON/OFF | | | | |
| CAMERA | | | | | | | | | | | | | | | | | |
| CAM 1 N/M | NORMAL/MIRROR | | | | | | | | | | | | | | | | |
| CAM 2 N/M | NORMAL/MIRROR | | | | | | | | | | | | | | | | |
| CAM 3 N/M | NORMAL/MIRROR | | | | | | | | | | | | | | | | |
| CAM 1 DIST | ON/OFF | | | | | | | | | | | | | | | | |
| <table border="1" style="width: 100%;"> <tr><th colspan="2">CAM/MODUS</th></tr> <tr><td>CAM 1</td><td>ON/OFF</td></tr> <tr><td>CAM 2</td><td>ON/OFF</td></tr> <tr><td>CAM 3</td><td>ON/OFF</td></tr> </table> | CAM/MODUS | | CAM 1 | ON/OFF | CAM 2 | ON/OFF | CAM 3 | ON/OFF | CAM/MODUS | CAM 1 CAM 2 CAM 3 | ON/OFF ON/OFF ON/OFF | | | | | | |
| CAM/MODUS | | | | | | | | | | | | | | | | | |
| CAM 1 | ON/OFF | | | | | | | | | | | | | | | | |
| CAM 2 | ON/OFF | | | | | | | | | | | | | | | | |
| CAM 3 | ON/OFF | | | | | | | | | | | | | | | | |

USER MANUAL

AWTSL503MT

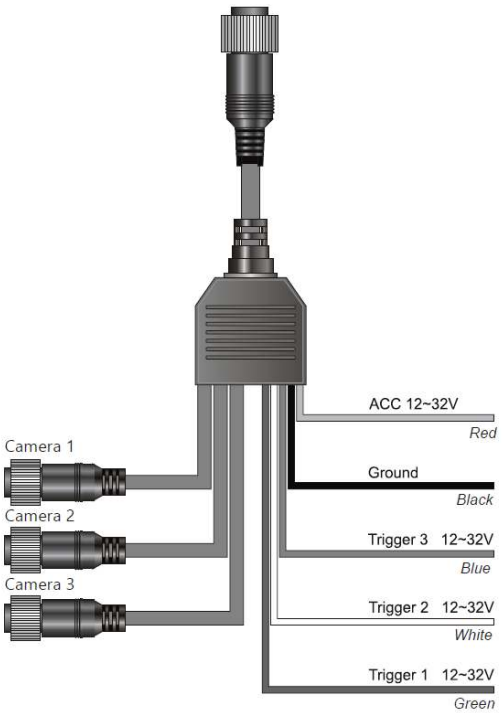
MONITOR OPERATION AND CONNECT



USER MANUAL

AWTSL503MT

SIGNAL CABLE DESCRIPTION



Even when the monitor is off (red), it will go on (green) when the trigger becomes active.



Trigger 3 has the lowest priority. Trigger 3 is speed wire (Tachograph)



Trigger 2 has middle priority.



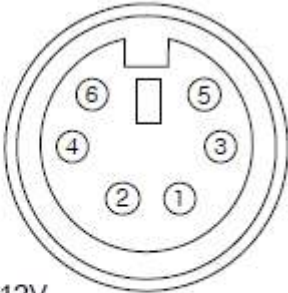
Trigger 1 has the highest priority.

USER MANUAL

AWTSL503MT

SIGNAL CABLE DESCRIPTION (CONTINUED)

Camera 1+2+3



| | | | |
|---|-------|---|-------|
| 1 | GND | 4 | +12V |
| 2 | --- | 5 | --- |
| 3 | Video | 6 | Audio |

Mini DIN Pin Assignment

INDEX

11

D

dimensions 6
display settings 7

F

features 4

M

menu setup 7
monitor operation and connection 8

P

package contents 5

S

signal cable description 9

3RD EYE WARRANTY

3RD EYE PRODUCTS LIMITED WARRANTY

3rd Eye warrants that the 3rd Eye Hardware and Software, as delivered by 3rd Eye to Client, will be free from defects in materials and workmanship in accordance to the terms and conditions specified herein. This warranty is a "parts replacement only" policy, and does not cover labor. Other limitations apply as provided below.

TERMS & CONDITIONS

DEFINITIONS

- 1.1 "Hardware" means cameras, monitors, Gateway and related peripheral hardware.
- 1.2 "Software" shall mean the Application or Embedded Software.
- 1.3 "Self-Service Client" shall mean any client that maintains their own equipment and is not under Service Agreement with 3rd Eye.

WARRANTY PERIOD

- 2.1 Unless a separate written Agreement with 3rd Eye is provided, a 1 Year warranty from the original date of hardware installation or the original date of purchase, whichever occurs first shall apply. Troubleshooting, labor, travel time, freight and miscellaneous costs are not covered.
- 2.2 New replacement hardware covered under warranty shall be covered under warranty for the remaining period of the initial warranty term.
- 2.4 Refurbished hardware and hardware installed by the customer shall carry a 90-day replacement warranty from the original date of hardware installation or the original date of purchase, whichever occurs first shall apply.
- 2.5 Labor and workmanship provided by a certified 3rd Eye technician shall carry a 90-day replacement warranty from the original date of service.

WARRANTY REIMBURSEMENT

- 3.1 To submit for warranty reimbursement, Client must notify 3rd Eye in writing by obtaining a 3rd Eye Return Material Authorization (RMA) number within the relevant Warranty Period. The authorized RMA the Client receives must be marked on the outside of the package returning the failed component and sent prepaid and packaged appropriately for safe shipment. The RMA number will serve as the warranty claim reference number. 3rd Eye will either repair or replace the defective component at its discretion. To request for an RMA number please complete the online RMA form found at www.3rdEyecam.com or call 866.804.2984.
- 3.2 If the failure analysis of the returned hardware determines the cause of failure was other than material or workmanship covered under the terms of this limited warranty, the CUSTOMER agrees to pay 3rd Eye Cam for the replacement hardware, labor and expenses.

WARRANTY DISCLAIMER

- 4.1 This warranty shall become null, void, and not apply if Client fails to notify 3rd Eye in writing of such defects prior to the expiration of the Warranty Period, if the defect is not reproducible, or if the defect is caused by (a) customer damage, negligence, misuse, tampering, accident, fire, variation or interruption of electricity; (b) failure by Client to properly install, maintain, or use the 3rd Eye Hardware or the Third Party Hardware; (c) alterations made by anyone other than 3rd Eye to the 3rd Eye Hardware or the hardware and/or software that interfaces with the 3rd Eye Hardware after installation; (d) any attempt to service the 3rd Eye Hardware other than by 3rd Eye's service technicians or (e) any hardware, software or part not approved by or not supplied by 3rd Eye. 3rd Eye shall not be responsible for the safeguarding or retention of Client's or any third-party software, firmware, information or memory data contained in, stored on, or integrated with any 3rd Eye Hardware that is returned to 3rd Eye pursuant to any warranty provided under this Agreement.
- 4.2 3rd Eye hereby disclaims all warranties, express, implied, or statutory, including, without limitation, the warranties of merchantability, fitness for a particular purpose. 3rd Eye makes no claim that the software will work in combination with any hardware or software products provided by third parties, that the operation of the software will be uninterrupted or error-free, that all defects in the software can be corrected, or that any specific result or outcome will be achieved by utilizing the products or third-party hardware provided by 3rd Eye.



a **DOVER** company

www.3rdeyecam.com

Customer Care:
866-804-2984

3rd Eye
22130 Merchants Way STE 100
Katy, TX 77449