

# 3SIXT



## **BT STUDIO BUDS**

with Wireless Technology

3S-0953

# **USER GUIDE**

## IMPORTANT SAFETY INFORMATION

### Read the following recommendations before using the 3SIXT Studio Buds:

- Before recharging 3SIXT Studio Buds through a wall outlet, make sure wall charger outlet voltage is 5V 1A;
- Make sure to use the Micro USB Charge Cable that came with this product, other cables may damage your Studio Buds;
- Do not drop, knock, disassemble or attempt to repair 3SIXT Studio Buds. Do not immerse or put 3SIXT Studio Buds in water. Store 3SIXT Studio Buds in a dry place;
- Do not expose 3SIXT Studio Buds to excessive heat including direct sunlight and fire;
- Do not use 3SIXT Studio Buds near explosive gases or flammable materials;
- Do not burn or incinerate 3SIXT Studio Buds;
- Do not expose 3SIXT Studio Buds to harsh chemicals;
- Keep 3SIXT Studio Buds away from young children;
- Putting anything in 3SIXT Studio Buds input or storage ports other than the supplied Micro USB Charge Cable or your device's charging cable will cause damage or short out 3SIXT Studio Buds;
- To extend 3SIXT Studio Buds charging life, do a complete recharge of the Airbuds every four months;

**PLEASE NOTE: 3SIXT Studio Buds are only SPLASH RESISTANT. They have a level 4 water ingress rating that means they can sustain exposure to light rain and sweat.**

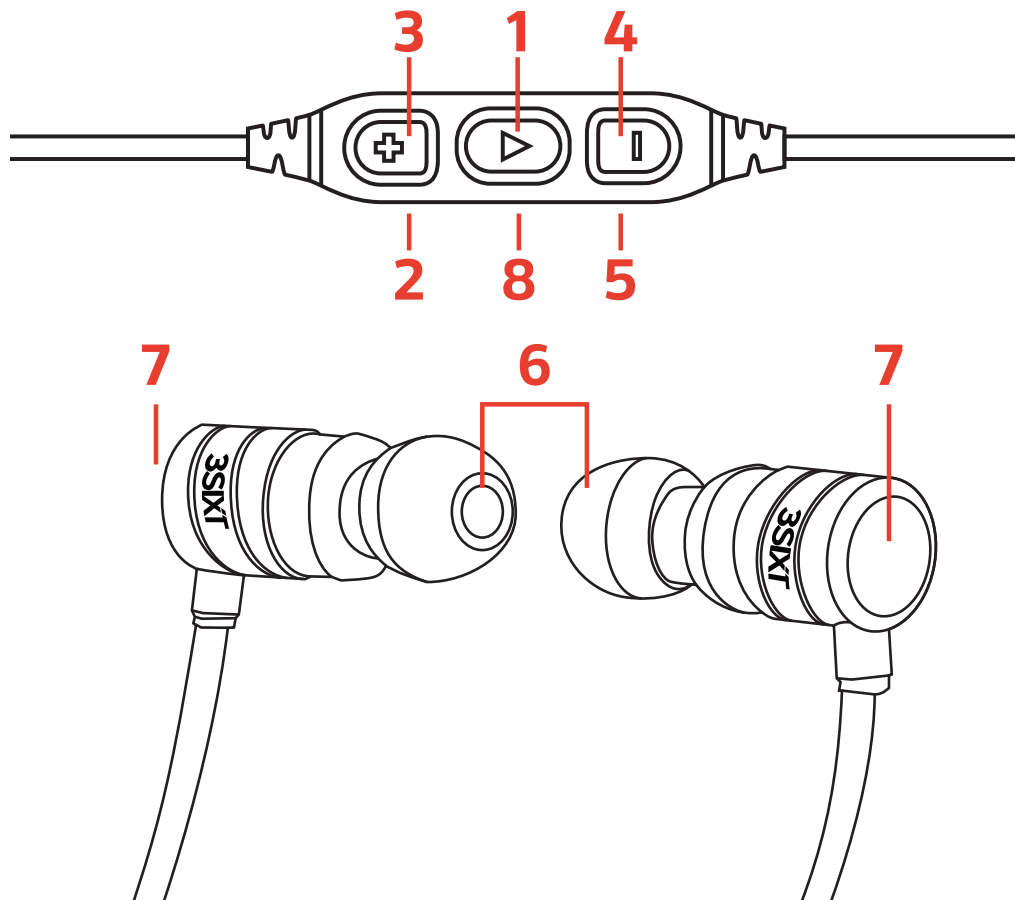
# Welcome

This User Guide will give you the information on how to enjoy your 3SIXT Studio Buds.



For more information and support,  
visit [www.3sixtgear.com](http://www.3sixtgear.com)

# GETTING TO KNOW YOUR 3SIXT STUDIO BUDS



## Buttons, Ports & Lights

1- MF Button

2- Microphone

3- Volume/Track Up

4- Volume/Track Down

5- Micro USB Port 5V 1.0A

6- Silicone Gel Buds

7- Magnetic Connector

8- Indicator Lights



## ACCESSORIES

- 1) Studio Buds (Magnetic)
- 2) Micro USB Charge Cable
- 3) User Guide



## HIGHLIGHTS

3SIXT Studio Buds can be connected to Bluetooth® devices such as smart phones, tablets and computers to playback your favorite music via streaming services or through your own music library. 3SIXT has utilised the latest in Wireless Technology that allows you to “cut the cord” forever. 3SIXT Studio Buds can sustain up to 4 hours of continuous music playback. With the secure silicone ear clips 3SIXT Studio Buds are an ideal workout partner and can be used indoors or out.



## EARPHONES MAGNETIC OPERATION

### **Power On/Off**

3SIXT Studio Buds have a magnetic auto on/off function that is activated by joining the left and right ear buds together at their base (7).

To turn on 3SIXT Studio Buds pull the magnetic ear buds apart(7). There will be a voice prompt “Power On” and a long beep will be heard. LED Light (8) on the in line controller will be steady blue if already paired or rapid flashing red/blue if in pairing mode.

To turn off 3SIXT Studio Buds connect the magnetic ear buds together (7), there will be a voice prompt “Power Off” and a red LED will flash for 1 sec on the in line controller (8). and long beep will be heard.

After powering on, if a device is not connected or paired within 5 minutes 3SIXT Studio Buds will power off automatically to save power.

## PAIRING TO MOBILE PHONES/TABLETS/COMPUTERS

Turn on 3SIXT Studio Buds by pulling the magnetic ear buds apart (7). There will be a voice prompt "Power On" and a long beep. The LED light on the in line controller will be rapid flashing red/blue

Activating Bluetooth® on your device:

- 1) Go to your device Bluetooth® settings and scan for new Bluetooth® devices;
- 2) Search for 3SIXT 3S-0953 and once found, click on it to pair with 3SIXT Studio Buds;
- 3) If your device asks for a pairing code, please enter '0000' and confirm it;
- 4) You will hear the voice prompt "Your Headset is Connected" and a short beep;
- 5) The LED light on the controller turns to solid blue;

## LOW POWER WARNING

3SIXT Studio Buds will make a voice prompt to remind you to charge if the battery is low (battery <10%). You will need to charge 3SIXT Studio Buds regularly to maintain a full charge.

## CHARGING 3SIXT STUDIO BUDS

- 1) Connect the supplied Micro USB Charge Cable to a USB 5V 1A charger.
- 2) Carefully remove the dust cover from the Micro USB charging port (5) on 3SIXT Studio Buds in line controller. The dust cover is tethered to the in line controller for ease of use.
- 3) Insert the the micro USB cable connector into the Micro USB charging port (5) on the in line controller to commence the charging.
- 4) When 3SIXT Studio Buds are charging the red LED light (8) will illuminate to indicate that 3SIXT Studio Buds are in charging mode.
- 5) Once 3SIXT Studio Buds battery is full, the LED Light (8) will turn solid Blue.
- 6) Disconnect the Micro USB cable from 3SIXT Studio Buds & carefully replace the dust cap on the in line controller.

## TECHNICAL SPECIFICATIONS

<b>Power input</b>	Micro USB 5V 1.0A
<b>Ingress Rating</b>	IPX4 Splash Proof
<b>Battery</b>	Lithium Ion 3.7v/130mAh
<b>Wireless Protocol</b>	BT v4.1
<b>Distance</b>	Up to 10m
<b>Input</b>	5V 1A
<b>Audio Output</b>	5mW
<b>Unit</b>	10 mm x 2
<b>Playback Time</b>	Up to 4 hours
<b>Recharge Time</b>	1-2 hours
<b>Dimensions</b>	56cm
<b>Weight</b>	16g
<b>Frequency Range</b>	160Hz-20KHz
<b>DistortionTHD</b>	~1%
<b>Working Temperature</b>	Temperature: 0°C - 40°C / Humidity: 0% -85%
<b>Storage Temperature</b>	Temperature: -30°C - 60° C / Humidity: 0% -90%

## GENERAL OPERATION

<b>Powering On/OFF</b>	Pull the magnetic ear buds apart Connect the magnetic ear buds together
<b>Answering &amp; Ending a call</b>	During an incoming call, short press the MF button (1) to answer the call. Press the MF button (1) again to end the call
<b>Refusing a call</b>	Long press the MF (1) key to reject the call.
<b>Redial last number</b>	Short press the MF (1) key two times to redial
<b>Play/Pause</b>	Short press the MF (1) key to play/pause
<b>Volume - or +</b>	Short Press the V+ (3) or V- (4) buttons as required
<b>Next/Previous</b>	Long press the V+ (3) to go to the next track. Short press the V- (4) to go to the previous track..
<b>Manual disconnection of the BT connection</b>	Long press the MF (1) Key for 3 seconds to power off. Voice Prompt "Power Off"
<b>Manual BT Pairing mode</b>	Long press the MF (1) Key for 2 seconds to enter the pairing mode. Voice Prompt "Pairing"

# LED STATUS

## Pairing Status

<b>In line Controller LED blue/red flashing</b>	Connecting mode
<b>In line controller LED blue steady</b>	Connected

## Charging Status

<b>In line controller LED ready steady</b>	Charging
<b>In line controller LED blue steady</b>	Fully Charged

# COMFORT & FIT

3SIXT Studio Buds come with three sizes (Small, Medium, Large) of Silicone Gel Ear buds (6). Please take time to try all three sizes and test them for in ear comfort and sound isolation. Ensuring a good fit dramatically increases the sound quality & performance of your 3SIXT Studio Buds.

3SIXT Studio Buds also come with Silicone Ear Clips that ensure a secure & firm fit. These are “one size fits all” as they are designed to fit & mould into the contour of all ears. It is highly recommended that 3SIXT Studio Buds are used in conjunction with the silicone ear clips for a secure fit and best audio performance

**Please Note:** We do our best to reflect accurate specifications, however periodic updates and changes may occur after this manual was printed. We reserve the right to change the parameters without prior notification.





## TROUBLE SHOOTING

### 1. My 3SIXT Studio Buds went flat and now they won't auto connect

- a) You will need to commence the pairing process again
- b) Fully charge 3SIXT Studio Buds to 100%
- c) In your device Bluetooth settings "Forget Device" 3SIXT3S-0953
- d) Commence the Connection & Paring process again

### 2. My device can't find any new Bluetooth® devices

- a) Make sure 3SIXT Studio Buds have entered pairing mode.
- b) Ensure 3SIXT Studio Buds are within the effective working range (10m)

### 3. Bluetooth® devices cannot pair

- a) Make sure your device allows new Bluetooth® connections.
- b) Make sure the pairing password entered is '0000'.  
If you are using a Bluetooth® transmitter device, please ensure the responding password of your Bluetooth transmitter supports the '0000' code.

### 4. My 3SIXT Studio Buds do not play music or answer calls when they are connected to a Bluetooth® device

- a) Make sure your Bluetooth® device supports A2DP and HSF profile.
- b) Ensure your Bluetooth® enabled device is within the effective working range.

### 5. When paired with my computer, Windows asks for a new driver. Can you supply?

Sorry, we do not supply drivers. Please visit your PC manufacturer's website for the latest driver updates.

### 6. Are 3SIXT Studio Buds waterproof?

No, 3SIXT Studio Buds are only splash resistant. They have a level 4 water ingress rating that means they can sustain exposure to light rain.



## **AUSTRALIA & NEW ZEALAND TWO YEAR WARRANTY**

3SIXT will replace the faulty product at no cost to the consumer. The warranty does not extend to any consequential damages or costs that may be incurred and is valid for TWO YEARS from date of purchase. The consumer must return the faulty product to the retail store it was purchased from together with proof of purchase. The benefits to the consumer under this warranty are in addition to other rights and remedies of the consumer under Australian and New Zealand laws in relation to the goods to which the warranty relates. Our goods come with guarantees that cannot be excluded under the Australian Consumer Law. You are entitled to a replacement or refund for major failure and for compensation for any other reasonably foreseeable loss or damage. You are also entitled to have the goods repaired or replaced if the goods fail to be of acceptable quality and the failure does not amount to a major failure.

The warranty is provided by:

### **Australia: Cellnet Group Limited**

59-61 Qantas Dr, Eagle Farm, QLD 4009

Phone: 1300 CELLNET (1300 235 563)

Email: [info@cellnet.com.au](mailto:info@cellnet.com.au)

### **New Zealand: Cellnet Limited**

10a Orbit Dr, Rosedale, Auckland 0632

Phone: 0800 CELLNET (0800 235 563)

Email: [info@cellnet.co.nz](mailto:info@cellnet.co.nz)



## **3SIXT PRODUCT SUPPORT**

For more information, visit [www.3sixtgear.com/support](http://www.3sixtgear.com/support)



## **3SIXT PRODUKT-SUPPORT**

Bitte besuchen Sie [www.3sixtgear.com/support](http://www.3sixtgear.com/support)



## **ASSISTANCE PRODUIT 3SIXT**

Veillez consulter [www.3sixtgear.com/support](http://www.3sixtgear.com/support)



## **ASISTENCIA TÉCNICA DEL PRODUCTO 3SIXT**

Visite [www.3sixtgear.com/support](http://www.3sixtgear.com/support)



## **ASSISTENZA TECNICA 3SIXT**

Si prega di visitare [www.3sixtgear.com/support](http://www.3sixtgear.com/support)



Copyright © 2017.

3SIXT and its logo are trademarks of Cellnet Group Limited  
in Australia & New Zealand. All Rights Reserved.

The Bluetooth® word mark is a registered trademark owned by Bluetooth SIG, Inc.

**CELLNET GROUP LIMITED**

59-61 Qantas Drive, Eagle Farm, QLD 4009 Australia.

MADE IN CHINA.

**3SIXTgear.com**

3S-0953



For more information, visit  
**[www.3sixtgear.com](http://www.3sixtgear.com)**  
or visit [www.3sixtgear.com/support](http://www.3sixtgear.com/support)



3SIXTgear