

# Instructions and Parts List

---

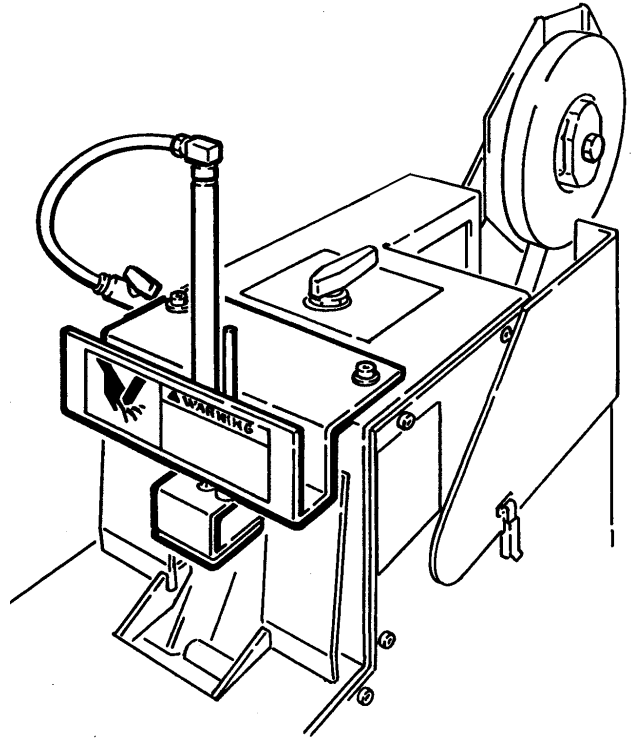
## 3M-Matic™

P/N 70-0708-6798-4

## S867/S857 U-Clip Modification Kit

For use on 3M-Matic™

S867 L-Clip Applicator, Type 10500  
S857 L-Clip Applicator, Type 29500



---

### Purpose of Kit

The U-Clip Modification Kit is designed to buff a standard L-clip down to form a U-shaped tape clip around the edge of thinner cartons when used on the S867 or S857 L-Clip Applicators. U-clips can be applied to cartons from 1/4 inch [6.4 mm] thick to 2 inches [50 mm] thick. Refer to the Specifications section.

### Contents of Kit

Quantity	Description
1	Buffing Assembly
1	Buffing Sleeve
2	Capscrew, Soc. Hd., 10-24 x 1/2 Lg
2	Washer, Plain, Type A, #10
1	Instructions and Parts List

### Specifications

Tape length applied, total: 4 1/2 inches [115 mm]

U-clip tape lengths:

Bottom of carton: 2 1/4 ± 1/8 inch  
[55 mm ± 3.2 mm]

End of carton: Thickness of carton

Top of carton: 2 1/4 [55 mm], minus  
thickness of carton

Carton size capacity:

1/4 inch [6.4 mm] minimum

2 inch [50 mm] maximum

## Installation



### WARNING

- To reduce the risk associated with mechanical hazards:

- Turn air supply off and disconnect before performing any adjustments, maintenance, or servicing the machine or taping heads.

- To reduce the risk associated with sharp blade hazards:

- Keep hands and fingers away from tape cutoff blades under orange blade guards. The blades are extremely sharp.

1. Pull buffing assembly up through front of machine and replace existing upper buffing sleeves with the new larger diameter upper buffing sleeve supplied with this kit. See Figure 1.

**Important:** Be sure to replace the sleeve on the UPPER buffing arm, NOT on the lower buffing arm.

2. The S867/S857 "U" Clip Modification Kit requires four tapped holes in the top surface of the L-clip applicator. Some older S857 applicators do not have these holes. If not, the holes must be located, drilled, and tapped. Use the enclosed hole template and follow Steps A–E on the template. If your machine already has these holes, skip this step.
3. Attach mounting bracket to the front edge of the L-clip applicator with two 10-24 x 1/2 capscrews and plain washers as shown in Figure 2.
4. Remove the T-fitting from end of poly tubing on modification kit. Push end of fitting in to release tubing. See Figure 2.
5. Unlatch and open right side cover on the L-clip applicator. Feed poly tubing through hole in left side of applicator (Figure 3A) and route behind existing tubing towards back of applicator (Figure 3B).

**Note:** Be sure tubing does not interfere with any moving parts of applicator. The 32.5" tube must be cut to 13.5" length if installed on a S857.

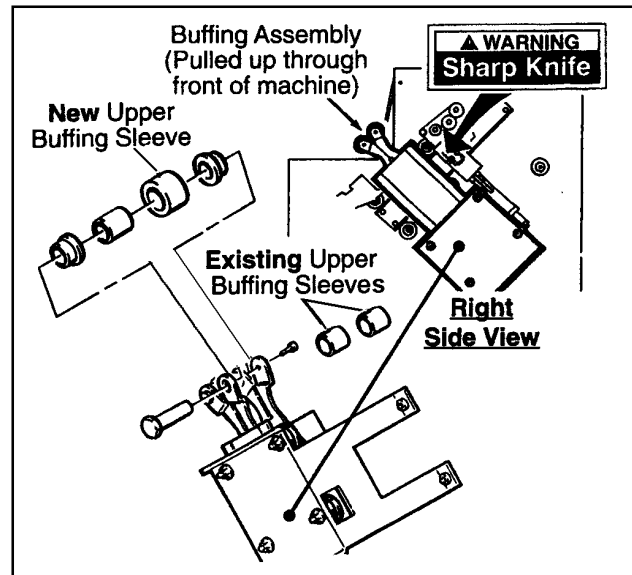


Figure 1—Replace Buffing Sleeves

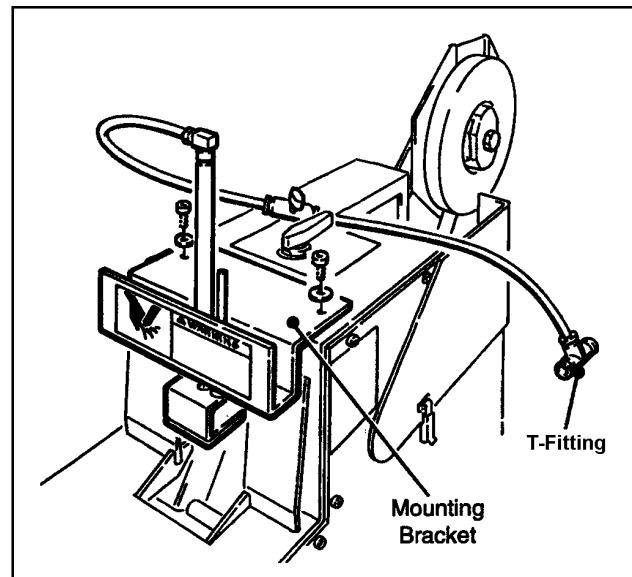


Figure 2—Attach Mounting Bracket

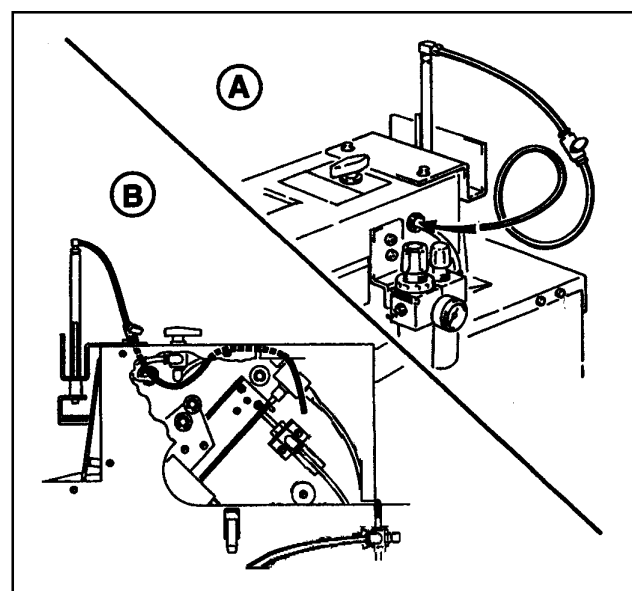


Figure 3—Install Poly Tubing

## Installation (Continued)

6. Cut air line number 17 on the flow control valve approximately 1 inch [25 mm] down from the L-fitting as shown in Figure 4. Note that the position of air line 17 on the S867 is different than its position on the S857.
7. Reinstall the T-fitting as shown in Figure 5 by pushing the tubing into the fitting as far as it will go.
8. Close and latch side cover on the applicator and connect main the air supply line to the applicator.
9. Turn on the L-clip applicator air valve to **On**. Turn the U-clip attachment ball valve to **On** so that the valve handle aligns with the tubing. Check for air leaks.

## Operation

1. Turn the S867 applicator main air on/off valve to **On**.
2. Turn the U-clip attachment ball valve to **On** so that the valve handle aligns with the tubing.
3. Hold down and push carton against applicator box paddle to apply a U-clip. The applicator applies an L-clip of tape to bottom and edge of carton. The U-clip attachment automatically buffs the top leg of the tape down onto the top of the carton.
4. To convert applicator back to L-clip operation, turn off U-clip attachment ball valve, unscrew and remove mounting bracket and attach to left side of the applicator for storage as shown in Figure 6.

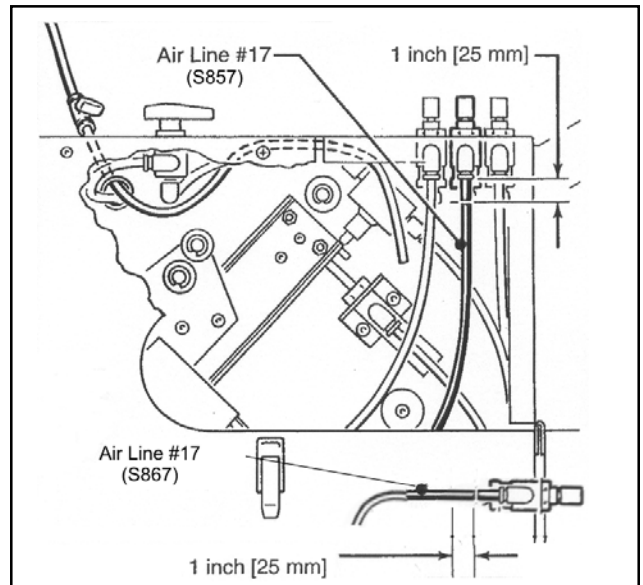


Figure 4—Air Line #17

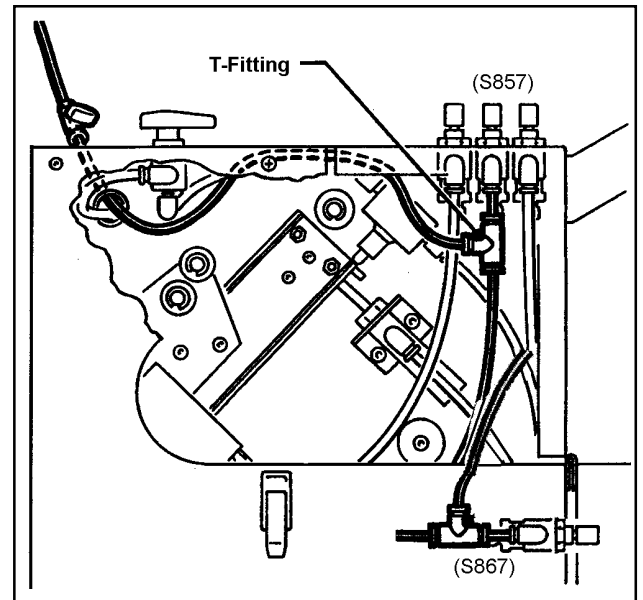


Figure 5—Reinstall T-Fitting

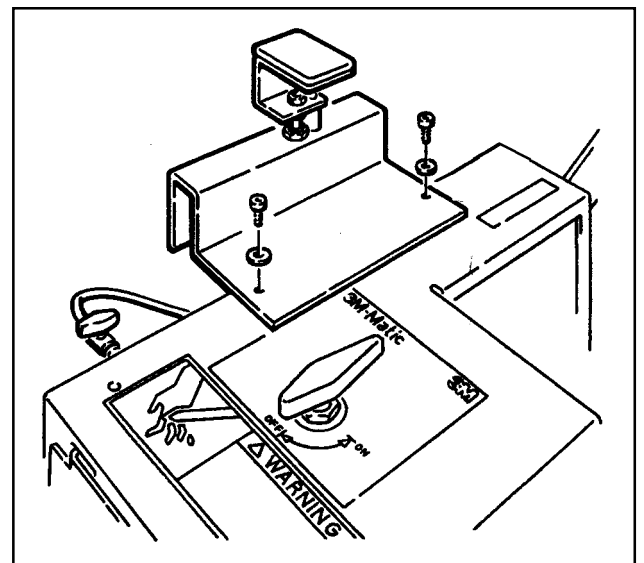


Figure 6—Remove Mounting Bracket

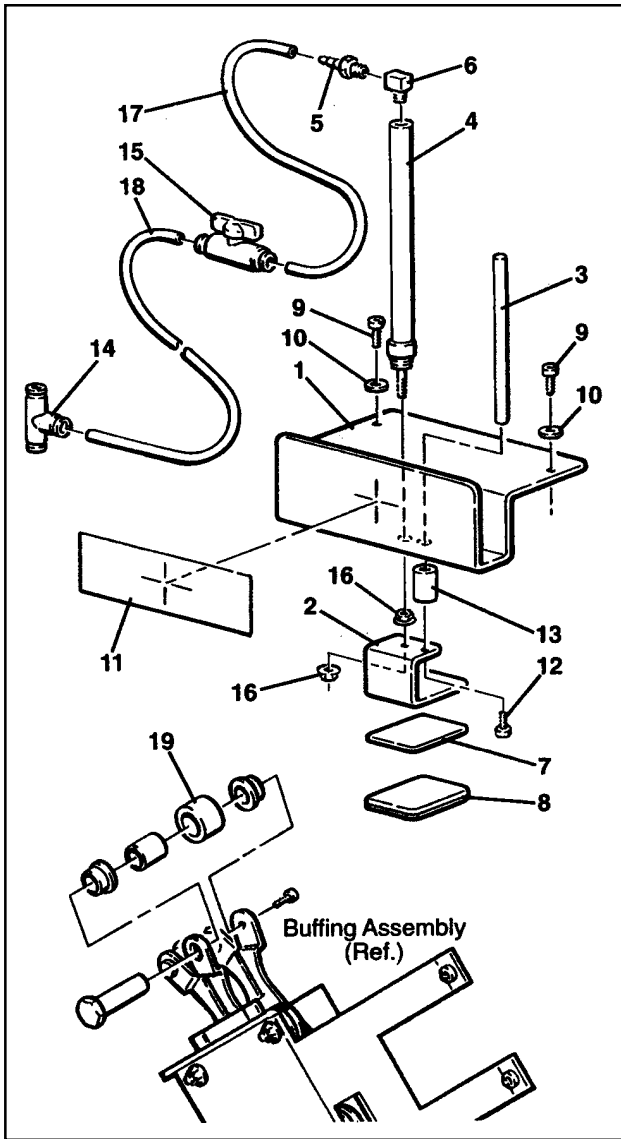


Figure 7—Replacement Parts Illustration

## Replacement Parts List

Ref. No.	Part Number	Description	Qty.
1	78-8119-6882-1	Bracket, Mounting	1
2	78-8119-6883-9	Bracket, Buffing	1
3	78-8119-6884-7	Shaft	1
4	26-1014-4181-9	Cylinder, Air, 7/16" Bore, Bimba #013-NR	1
5	26-1014-4182-7	Fitting, Barbed, #10-32, Bimba #D-3229-A	1
6	26-1014-6599-0	Fitting, Street Ell, #10-32	1
7	78-8119-6919-1	Pad, Buffing, Upper	1
8	78-8119-6918-3	Buffing Pad Assembly, Lower	1
9	26-1004-6031-5	Screw, Cap, Soc Hd, 10-24 x 1/2 Lg.	2
10	26-1000-4442-4	Washer, Plain, Type A, #10	2
11	78-8119-6594-2	Label, Warning, Sharp Knife Rollers	1
12	18-3172-8216-0	Screw, Cap, Soc Hd, 8-32 x 1/2 Lg.	1
13	78-8119-6935-7	Stop, Buffer	1
14	26-1014-6602-2	Tee, Union, 1/4 Polyflo Legris #3104-56-00	1
15	26-1014-6963-8	Valve, Ball, 1/4-1/4 Polyflo Pisco #BVU20-1/4-1/4	1
16	26-1014-6970-3	Nut, Hex Flange, 10-32	2
17	78-8119-6936-5	Tube, Poly-Flo, 8.5 In. Lg.	1
18	78-8122-6541-7	Tube, Poly-Flo, 32.5 In. Lg.	1
19	78-8122-6664-7	Buffing Sleeve	1

## How To Order Replacement Parts

1. Refer to Parts Illustration Figure 7 to find part needed and reference number.
2. Refer to parts list for correct part number.
3. Order by **part number, description, kit name, and kit part number.**
4. Replacement parts and part prices available direct from:

**3M/Tape Dispenser Parts 800-344-9883**  
**241 Venture Drive Fax: 715-268-8153**  
**Amery, WI 54001-1325**

Minimum billing on parts orders will be \$25.00.  
 Replacement part prices available on request. \$10.00 restocking charge per invoice on returned parts.  
 Outside the U.S., contact the local 3M subsidiary for parts information.

**Equipment Warranty and Limited Remedy: THE FOLLOWING WARRANTY IS MADE IN LIEU OF ALL OTHER WARRANTIES, EXPRESS OR IMPLIED, INCLUDING, BUT NOT LIMITED TO, ANY IMPLIED WARRANTY OF MERCHANTABILITY OR FITNESS FOR A PARTICULAR PURPOSE AND ANY IMPLIED WARRANTY ARISING OUT OF A COURSE OF DEALING, CUSTOM OR USAGE OF TRADE:**

3M sells its 3M-Matic™ P/N 70-0708-6798 S867/S857 U-Clip Modification Kit with the following warranties:

All parts will be free from defects in material and manufacture for ninety (90) days after delivery.

If any part is defective within this warranty period, your exclusive remedy and 3M's and seller's sole obligation shall be, at 3M's option, to repair or replace the part. 3M must receive actual notice of any alleged defect within a reasonable time after it is discovered, but in no event shall 3M have any obligation under this warranty unless it receives such notice within five (5) business days after the expiration of the warranty period. All notices required hereunder shall be given to 3M solely through the 3M-Matic™ Helpline (800-328-1390). To be entitled to repair or replacement as provided under this warranty, the part must be returned as directed by 3M to its factory or other authorized service station designated by 3M. If 3M is unable to repair or replace the part within a reasonable time after receipt thereof, 3M, at its option, will replace the equipment or refund the purchase price. 3M shall have no obligation to provide or pay for the labor required to remove any part or equipment or to install the repaired or replacement part or equipment. 3M shall have no obligation to repair or replace those parts failing due to normal wear, inadequate or improper maintenance, inadequate cleaning, non-lubrication, improper operating environment, improper utilities, operator error or misuse, alteration or modification, mishandling, lack of reasonable care, or due to any accidental cause.

**Limitation of Liability:** Except where prohibited by law, 3M and seller will not be liable for any loss or damage arising from this 3M equipment, whether direct, indirect, special, incidental, or consequential, regardless of the legal theory asserted, including breach of warranty, breach of contract, negligence, or strict liability.

**Note:** The foregoing Equipment Warranty and Limited Remedy and Limitation of Liability may be changed only by a written agreement signed by authorized representatives of 3M and seller.



3M Industrial Adhesives and Tapes Division

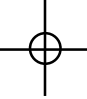
3M Center, Building 220-4E-01  
 St. Paul, MN 55144-1000

"3M-Matic" is a trademark of 3M,  
 St. Paul, Minnesota 55144-1000

Printed in U.S.A.

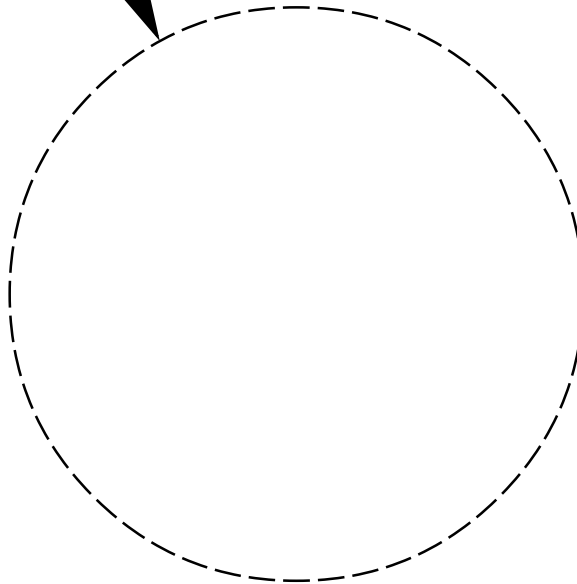
© 3M 2007 44-0009-1957-9(C)

# Hole Location Template

- (C)** Center punch four (4) holes indicated by 
- (D)** Remove template and drill four (4) 0.1495 (#25 drill) holes.
- (E)** Tap four (4) holes with 10-24 tap.

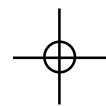
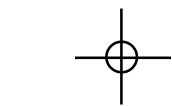
– Left Side –

**(A)** Cut out and remove this circle for clearance around on/off valve.



– Right Side of Applicator –

**(B)** Line up these two edges of template with front and left side of S867 applicator and secure template to applicator with masking tape.



– Front –

# **Hole Location Template**

(See other side)