

Filtrete™

ULTRA QUIET AIR PURIFIER



Air Purifier Model Series
Purificador de aire el número de modelos
Purificateur d'air une pièce Modèles
FAP00

Replacement Filter Model Series
Filtros de reemplazo número de modelos
Filtre de rechange Modèles
FAPF00

For more information go to
Para mayor información visite
Pour de plus amples informations, visitez le

www.filtrete.com

3M

**Construction and Home
Improvement Markets Division**

3M Center, Building 223-4S-02
St. Paul, MN 55144-1000
1 800 494-3552
www.filtrete.com

Filtrete is a trademark of 3M.
Filtrete es una marca registrada de 3M.
Filtrete est une marque de commerce de la 3M.
ENERGY STAR® is a registered trademark of the U.S.
Environmental Protection Agency.
ENERGY STAR® es una marca registrada de la Agencia
de Protección Ambiental de los Estados Unidos.
ENERGY STAR® est une marque de commerce du
United States Environmental Protection Agency.
Please recycle. Printed in Taiwan.
© 3M 2008. All rights reserved.
34-8701-2749-4

Table of Contents:

- 1** Safety Information
- 2** Warnings and Cautions
- 4** Installation Requirements
 - Location Requirements
 - Electrical Connection
- 4** Air Purifier Use Model FAP00
 - Turning the Air Purifier On/Off
 - Adjusting the Fan Speed
- 4** Cleaning
- 5** Features and Functions
 - Filtration
 - Electrostatic Enhancement
 - ENERGY STAR®
- 6** Filter Change
- 8** Troubleshooting
- 9** Assistance or Service and Limited Warranty

Safety Information

Safety Information:

Please read, understand, and follow all the safety information contained in these instructions prior to using the Filtrete™ Ultra Quiet Air Purifier. READ AND SAVE THESE INSTRUCTIONS for future reference.

Intended Use:

The Filtrete air purifier is intended for indoor household use, using only Filtrete replacement filters and standard 120V AC power. This air purifier is intended to help remove small to large particles from the air that passes through the filter, in the room in which the air purifier is located. This air purifier has not been tested with non-Filtrete brand filters, operated at different voltages, or used outdoors; each of these misuses could damage the air purifier and/or create unsafe operating conditions.

Explanation of Signal Words

▲ W A R N I N G

Indicates a potentially hazardous situation, which, if not avoided, could result in death or serious injury.

▲ C A U T I O N

Indicates a potentially hazardous situation, which, if not avoided, may result in minor or moderate injury.

Warnings and Cautions

▲ WARNING

To reduce the risk associated with hazardous voltage:

- Plug the power cord correctly and tightly into a properly rated electrical outlet.
- Do not use the air purifier if the power cord is frayed or otherwise damaged.
- Do not touch the power cord with wet hands.
- Disconnect electrical power before servicing the filter.
- Do not use outdoors or in a wet environment.
- Do not submerge the air purifier in water.
- Do not modify or attempt to modify this product.
- Do not disassemble the air purifier.
- Except for filter replacement, the air purifier is not intended to be serviced and does not contain any serviceable replacement parts or adjustments.
- To reduce the risk of electric shock, this equipment has a polarized plug (one blade is wider than the other). This plug will fit in a polarized outlet only one way. If the plug does not fit fully in the outlet, reverse the plug. If it still does not fit, contact qualified personnel to install the proper outlet. Do not alter the plug in any way.

To reduce the risk associated with hazardous voltage, and/or fire:

- Plug the air purifier into a properly rated electrical outlet.
- This equipment should be inspected frequently and collected dirt removed from it regularly to prevent excessive accumulation that may result in flashover or a risk of fire.

To reduce the risk associated with hazardous voltage and/or moving blades:

- Do not place fingers and/or any objects into air and/or motor housing vents.

To reduce the risk associated with fire:

- Do not block any air vents during use.
- Do not place the air purifier near a heat source.

To reduce the risk associated with hazardous voltage, and/or fire, and/or explosion:

- Do not use any combustible or flammable items on or near the air purifier.
- Do not spill or spray any liquids or aerosols into the air purifier or on the filter.

To reduce the risk associated with exposure to all residual hazards listed in this document:

- Read and understand the operating manual before using the air purifier.
- Do not allow children or pets to have unsupervised access to this product.

Warnings and Cautions

▲ CAUTION

To reduce the risk associated with environmental contamination:

- Dispose of the air purifier and filters in accordance with local, state, and federal regulations.

To reduce the risk associated with exposure to all residual hazards listed in this document:

- The filter should be changed after no more than 90 days of continuous use, or sooner depending on the conditions in your home.
- Periodically inspect the filter for damage or blockage.
- Use only Filtrete™ replacement filters in this air purifier.

To reduce the risk associated with falling, and/or impact:

- Do not sit on or place any object on this product.
- Do not place the air purifier where it may be inadvertently tipped over or pulled off of an elevated surface.

Installation Requirements

Location Requirements:

- Select a location where the air intake and filtered air outlet are not obstructed.
- Place the air purifier on a flat, level surface at least two feet from any heat source, such as ranges or heaters.
- Do not block the air openings or place the air purifier on a soft surface such as a bed, chair or sofa.
- Operate indoors only.

Electrical Connection:

- Plug the air purifier into a 120V AC electrical outlet.
- To reduce the risk of electric shock, this equipment has a polarized plug (one blade is wider than the other). This plug will fit in a polarized outlet only one way. If the plug does not fit fully in the outlet, reverse the plug. If it still does not fit, contact qualified personnel to install the proper outlet. Do not alter the plug in any way.

Air Purifier Use

IMPORTANT NOTE:

- Read and understand the operating manual before using the air purifier.

Turning the Air Purifier On/Off:

- Be sure the air purifier is properly plugged into a 120V AC outlet.
- To turn on the air purifier, rotate the control knob in the center of the top grill in a clockwise direction.
- To turn off the air purifier, rotate the control knob in the center of the top grill in a counter-clockwise direction.

Adjusting the Fan Speed:

- This unit has two fan speeds: low and high. To increase the fan speed, turn the control knob in a clockwise direction. To decrease fan speed, turn the control knob in a counter-clockwise direction.

Cleaning

Cleaning:

- Turn the air purifier off and unplug it before cleaning.
- The outside of the air purifier can be cleaned with a soft, dirt free, dampened cloth.
- The air inlet and outlet grills can be cleaned with a small, soft brush.

Features and Functions

This Filtrete™ Air Purifier from 3M comes complete with the latest advances in air filtration technology in a stylish and trendsetting design.

Filtration:

Filtrete replacement filters use proprietary technology to provide high filtration efficiency and low airflow resistance. When combined with the specially developed fan and housing, the end result is a highly efficient air purifier that operates quietly.

This Filtrete filter has electrostatically charged fibers that can capture particles as small as 0.1 micron. The electrostatically charged fibers are most effective when the filter is new and clean. As particles build up on the filter, they begin to cover up the charged fibers. This will reduce the effectiveness of the filter at capturing additional particles and can occur early in the filter's life. The time frame and extent of the reduction will depend upon the actual use conditions in the room in your home.

To maximize the air cleaning in the room that contains the air purifier, we recommend that you clean and seal, as much as possible, the room in which the air purifier operates; continue to dust surfaces and vacuum on a normal schedule; and close all windows and doors during operation.

Electrostatic Enhancement:

This air purifier produces negative ions, which charge particles in the air and improve small particle filtration. The charged particles are captured from the air passing through the filter. This unit emits a very small amount of ozone but has been certified to produce significantly less than allowable limits by strict Underwriter's Laboratory (UL) standards and all other applicable safety standards.

ENERGY STAR®:

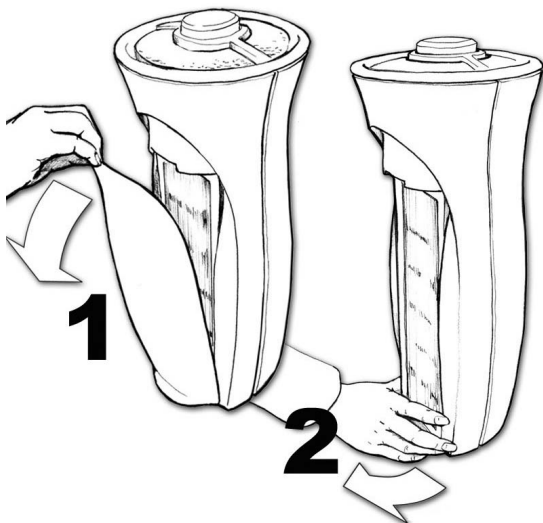
This product earned the ENERGY STAR by meeting strict energy efficiency guidelines set by the U.S. EPA. U.S. EPA does not endorse any manufacturer claims of healthier indoor air from the use of this product. The energy efficiency of this ENERGY STAR qualified model is measured based on a ratio between the model's CADR for dust and the electrical energy it consumes, or CADR/Watt.



Filter Change

The air purifier filter should be changed after approximately 90 days of continuous use. Depending upon the conditions in your home, the filter may need to be changed more frequently. Using the air purifier in environments with tobacco smoke, candle burning, construction work, sanding projects, wood-burning stove or fireplace smoke, or pets in the home may decrease the filter's life. The filter should be periodically checked for damage or blockage.

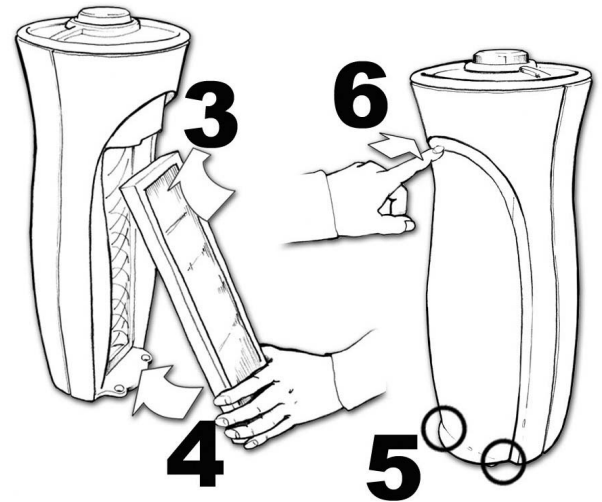
A filter change label is included on the inside of the filter cover as a handy reference. Along with the filter change illustrations is a color-change chart indicating the approximate use of the filter. The color-change chart provides a visual indication of filter life for typical conditions.



1. To remove the filter cover, grasp the top of the filter cover and pull outward from the air purifier.
2. To remove the used filter, grasp the bottom edges of the used filter and pull outward from the air purifier. Dispose of the used filter in accordance with local, state, and federal regulations.

6

Filter Change



3. Insert one end of the new filter toward the top of the air purifier filter opening. The top of the filter must fit behind the small row of filter-holding features. Make sure that all packaging material has been removed from the filter, but don't remove the filter frame. Use only Filtrere™ replacement filters (FAPF00) in this air purifier.
4. Push the bottom of the filter into the air purifier.
5. To replace the filter cover, first place the two knobs on the bottom of the filter door into the openings near the bottom of the air purifier.
6. Push the filter door toward the air purifier until the latch securely connects.

7

Troubleshooting

Replacement filter does not fit:

- Check the model number on the filter. It should be FAPF00.
- Make sure no foreign objects are blocking the filter opening.
- Several small ribs in the air purifier body hold the filter in place; be certain to insert the top of the filter first.

Air purifier will not turn on:

- The knob in the top center of the air purifier is used to change speeds. Turn the knob clockwise to turn the air purifier on or increase speed.
- Be sure the air purifier is properly plugged into a 120V AC outlet.
- Check if a fuse is blown or if a circuit breaker has been tripped.

Decreased air flow:

- Check the air purifier to make sure the air inlet and filtered air outlet are not blocked.
- Check the condition of the filter and if dirty, replace with a new Filtrete™ replacement filter (FAPF00).
- Make sure that any packaging materials have been removed from the filter. Do not remove the filter frame.
- The air purifier takes several minutes to warm up. During this time, the motor speed and air flow will start at a lower value and reach final speed in about five minutes.

Noisy operation:

- Check the condition of the filter and if dirty, replace with a new Filtrete replacement filter (FAPF00).
- Make sure that nothing is blocking the air inlet or filtered air outlet.
- A small amount of static noise coming from the air purifier is a normal sound.

Assistance or Service and Limited Warranty

Assistance or Questions

For more information about using this air purifier, visit our website at www.filtrete.com or call 1-800-388-3458 from the United States or Canada.

Limited Warranty

This product will be free from defects in material and manufacture for a period of one year from the date of purchase. The user is responsible for determining whether the product is fit for a particular purpose and suitable for the user's application. If this 3M product is defective within the warranty period stated above, your exclusive remedy and 3M's sole obligation shall be, at 3M's option, to replace the 3M product or refund the purchase price of the 3M product. This warranty does not cover normal wear and tear or damage resulting from accident, misuse, use of alternate filters, alteration, or lack of reasonable care.

This warranty gives you specific legal rights, and you may have other rights which may vary from state to state or country to country. To obtain warranty service contact 3M at 1-800-388-3458.

Limitation of Liability

3M will not be liable for any loss or damage arising from this 3M product, whether direct, indirect, special, incidental or consequential, regardless of the legal theory asserted, including warranty, contract, negligence or strict liability. Some states and countries do not allow the exclusion or limitation of incidental or consequential damages, so the above limitation or exclusion may not apply to you.

Índice de Contenidos:

- 11** Información sobre Seguridad
- 12** Advertencias y Precauciones
- 14** Requerimientos de Instalación
 - Requerimientos de Ubicación
 - Conexión Eléctrica
- 14** FAPO0 Model de Uso del Purificador de Aire
 - Cómo Encender/Apagar el Purificador de Aire
 - Cómo Regular la Velocidad del Ventilador
- 14** Limpieza
- 15** Características y Funciones
 - Filtración
 - Mejoramiento Electrostático
 - ENERGY STAR®
- 16** Cambio de Filtro
- 18** Solución de Problemas
- 19** Asistencia o Servicio y Garantía Limitada

Información sobre Seguridad

Información sobre seguridad:

Por favor lea, comprenda y siga toda la información de seguridad contenida en estas instrucciones antes de utilizar el Purificador de Aire Ultra Silencioso Filtrete™. LEA Y CONSERVE ESTAS INSTRUCCIONES como referencia futura.

Uso Específico:

El purificador de aire Filtrete está diseñado para uso doméstico en interiores únicamente y se deben utilizar sólo filtros de marca Filtrete y alimentación estándar de 120V CA. Este purificador de aire está diseñado para ayudar a eliminar las partículas, de pequeñas a grandes, provenientes del aire que pasa a través del filtro, en la habitación en la que está ubicado el purificador de aire. Este purificador de aire no se ha probado con filtros de marcas que no sean Filtrete, que operan con voltajes diferentes o que se utilizan al aire libre; Todos estos usos incorrectos pueden dañar el purificador de aire y/o crear condiciones de funcionamiento inseguras.

Explicación de los Símbolos

▲ ADVERTENCIA

Indica una situación potencialmente peligrosa que, si no se evita, puede provocar la muerte o lesiones graves.

▲ PRECAUCIÓN

Indica una situación potencialmente peligrosa que, si no se evita, puede provocar lesiones menores o moderadas.

Advertencias y Precauciones

▲ ADVERTENCIA

Para reducir el riesgo vinculado al voltaje peligroso:

- Enchufe correcta y firmemente el cable de alimentación a un tomacorriente con la capacidad apropiada.
- No utilice el purificador de aire Filtrete si el cable de alimentación está pelado o tiene otro tipo de daño.
- No toque el cable de alimentación con las manos húmedas.
- Desconecte la energía eléctrica antes de realizar mantenimiento al filtro.
- No utilice en un ambiente húmedo o al aire libre.
- No sumerja el purificador de aire Filtrete en agua.
- No modifique ni intente modificar este producto.
- No desarme el purificador de aire.
- Salvo el reemplazo de filtros, el purificador de aire no necesita mantenimiento y no contiene ajustes ni partes de repuesto que requieran mantenimiento.
- Para reducir el riesgo de descargas eléctricas, este equipo cuenta con un enchufe polarizado (una hoja es más ancha que la otra). Este enchufe se adaptará a un tomacorriente polarizado de una sola manera. Si el enchufe no encaja bien en el tomacorriente, invierta el enchufe. Si aún así no encaja, contáctese con personal calificado para que instale el tomacorriente apropiado. No modifique, de ninguna manera, el enchufe.

Para reducir el riesgo vinculado al voltaje peligroso y/o incendio:

- Enchufe el purificador de aire Filtrete a un tomacorriente con capacidad apropiada.
- Este equipo debe inspeccionarse con frecuencia y debe extraerse la

suciedad acumulada con regularidad para evitar la acumulación excesiva que pueda provocar descargas o riesgos de incendio.

Para reducir el riesgo vinculado al voltaje peligroso y/o la remoción de las hojas:

- No coloque los dedos ni ningún objeto en las ventilaciones de la caja del motor y/o del aire.

Para reducir el riesgo vinculado a incendios:

- No bloquee las salidas de aire durante el uso.
- No coloque el purificador de aire cerca de una fuente de calor.

Para reducir el riesgo vinculado al voltaje peligroso, incendio y/o explosión:

- No utilice elementos combustibles o inflamables sobre o cerca del purificador de aire.
- No derrame ni rocíe líquidos o aerosoles en el purificador de aire o en el filtro.

Para reducir el riesgo asociado con la exposición a todos los peligros residuales enumerados en este documento:

- Lea y comprenda el manual de operación antes de utilizar el purificador de aire.
- No permita que los niños o las mascotas tengan acceso a este producto sin supervisión.

Advertencias y Precauciones

▲ PRECAUCIÓN

Para reducir el riesgo vinculado a la contaminación ambiental:

- Deseche el purificador de aire y los filtros según las exigencias locales, estatales y/o federales.

Para reducir el riesgo asociado con la exposición a todos los peligros residuales enumerados en este documento:

- El filtro debe cambiarse después de un máximo de 90 días de uso continuo, o incluso antes, según las condiciones de su hogar.
- Inspeccione periódicamente el filtro para verificar si está dañado o si tiene obstrucciones.
- Para este purificador de aire, utilice sólo filtros de repuesto de marca Filtrete™.

Para reducir el riesgo vinculado a caídas y/o impactos:

- No apoye ni coloque objetos sobre este producto.
- No coloque el purificador de aire donde, inadvertidamente, se pueda tropezar o pueda desprenderse de una superficie elevada.

Requerimientos de Instalación

Requerimientos de Ubicación:

- Seleccione una ubicación donde la parrilla de la toma de aire y la salida del aire filtrado no estén obstruidas.
- Coloque el purificador de aire sobre una superficie plana y nivelada a dos pies de distancia, como mínimo, de cualquier fuente de calor, tales como cocinas o calentadores.
- No bloquee las salidas de aire ni coloque el purificador de aire sobre una superficie blanda como una cama, silla o sofá.
- Opere únicamente en interiores.

Conexión Eléctrica:

- Enchufe el purificador de aire a un tomacorriente de 120V CA.
- Para reducir el riesgo de descargas eléctricas, este equipo cuenta con un enchufe polarizado (una hoja es más ancha que la otra). Este enchufe se adaptará a un tomacorriente polarizado de una sola manera. Si el enchufe no encaja bien en el tomacorriente, invierta el enchufe. Si aún así no encaja, contáctese con personal calificado para que instale el tomacorriente apropiado. No modifique, de ninguna manera, el enchufe.

Uso del Purificador de Aire

NOTA IMPORTANTE:

- Lea y comprenda el manual de operación antes de utilizar el purificador de aire.

Cómo Encender/Apagar el Purificador de Aire:

- Asegúrese de que el purificador de aire esté enchufado correctamente a un tomacorriente de 120V CA.
- Para encender el purificador de aire, gire la perilla de control, ubicada en el centro de la parte superior de la parrilla, en dirección a las agujas del reloj.
- Para apagar el purificador de aire, rote la perilla de control, ubicada en el centro de la parte superior de la parrilla, en dirección opuesta a las agujas del reloj.

Cómo Regular la Velocidad del Ventilador:

- Esta unidad posee 2 velocidades de ventilación: baja y alta. Para aumentar la velocidad del ventilador, gire la perilla de control en dirección a las agujas del reloj. Para reducir la velocidad del ventilador, gire la perilla de control en dirección opuesta a las agujas del reloj.

Limpieza

Limpieza:

- Apague el purificador de aire y desenchúfelo antes de limpiarlo.
- La parte externa del purificador de aire se puede limpiar con un paño suave, limpio y húmedo.
- Las rejillas de la toma de aire y de la salida de aire pueden limpiarse con un pequeño cepillo blando.

Características y Funciones

Este Purificador de Aire Filtrete™ de 3M viene completo con los últimos avances en tecnología de filtrado en un diseño elegante e innovador.

Filtración:

Los filtros de repuesto Filtrete utilizan tecnología registrada para proporcionar alta eficiencia en la filtración y baja resistencia en el flujo de aire. Cuando se los combina con el ventilador y caja, especialmente diseñados, el resultado final es un purificador de aire altamente eficiente que opera silenciosamente.

El filtro Filtrete tiene fibras con carga electrostática que pueden capturar partículas tan pequeñas como 0.1 micrón. Las fibras con carga electrostática son más efectivas cuando el filtro es nuevo y está limpio. A medida que las partículas se acumulan en el filtro, comienzan a cubrir las fibras cargadas. Ello reducirá la efectividad del filtro al capturar partículas adicionales, pudiendo disminuir temprano la vida útil del filtro. El tiempo y la duración de la disminución dependerán de las condiciones reales de uso en la habitación de su casa.

Para maximizar la limpieza del aire en la habitación que contiene el purificador de aire, se recomienda que limpie y cierre, tanto como le sea posible, la habitación donde funciona el aire; continúe limpiando y aspirando las superficies como lo hace habitualmente; y cierre todas las ventanas y puertas durante su funcionamiento.

Mejoramiento Electrostático:

Este purificador de aire produce iones negativos que cargan a las partículas en el aire y mejoran la filtración de las partículas diminutas. Las partículas cargadas son capturadas desde el aire que pasa a través del filtro. Esta unidad emite una ínfima cantidad de ozono y se ha certificado que produce significativamente menos ozono que los límites permitidos por los estándares estrictos de Underwriter's Laboratory (UL) y por todos los demás estándares de seguridad pertinentes.

ENERGY STAR®:

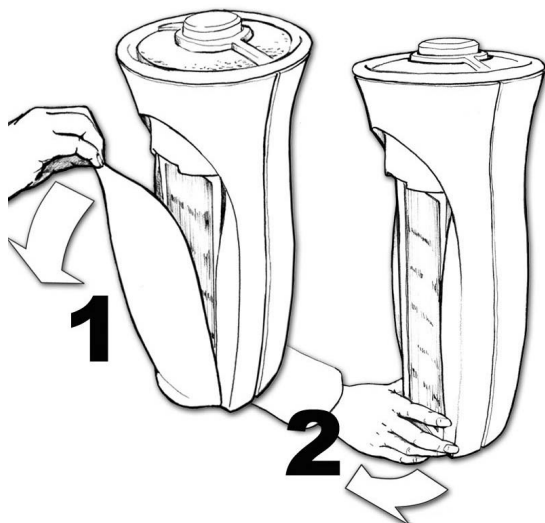
Este producto ganó la ENERGY STAR por cumplir estrictamente con las pautas de eficiencia energética y por la US EPA (Agencia de Protección Ambiental de Estados Unidos). US EPA no endosa ningún reclamo de fabricantes de aire de interiores más saludable desde el uso de este producto. La eficiencia energética de este modelo calificado ENERGY STAR se mide basándose en una proporción entre el CADR (volumen de aire filtrado por un purificador de aire) del modelo para polvo y la energía eléctrica que consume o Vatios/CADR.



Cambio de Filtro

Se debe cambiar el filtro del purificador de aire después de aproximadamente 90 días de uso continuo. Según las condiciones de su hogar, es posible que el filtro deba cambiarse con mayor frecuencia. El uso del purificador de aire en ambientes con humo de tabaco, velas encendidas, trabajos de construcción, proyectos de lijado, humo de cocinas a leña u hogares a leña o de animales domésticos en el hogar pueden reducir la vida útil del filtro. Se debe verificar periódicamente que el filtro no contenga daños ni obstrucciones.

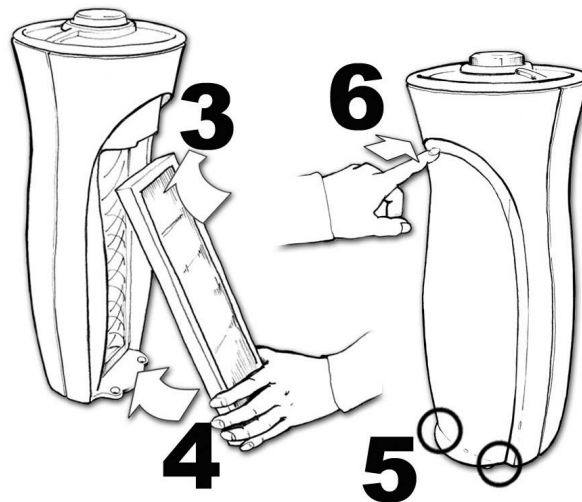
Se incluye una etiqueta para el cambio de filtros en la parte interna de la tapa del filtro como referencia práctica. Junto con las ilustraciones para el cambio de filtros, existe un diagrama con los cambios de color que indican el uso aproximado del filtro. El diagrama con los cambios de color brinda una indicación visual de la vida útil del filtro para condiciones típicas.



1. Para retirar la tapa del filtro, sujete la parte superior de la tapa del filtro y jale hacia afuera del purificador de aire.
2. Para retirar el filtro usado, sujete los bordes inferiores del filtro usado y jale hacia afuera del purificador de aire. Deseche el filtro usado de acuerdo con las normas locales, estatales y federales vigentes.

16

Cambio de Filtro



3. Inserte un extremo del filtro nuevo en la parte superior de la apertura del filtro del purificador de aire. La parte superior del filtro debe calzar debajo de la hilera pequeña de sujeciones del filtro. Asegúrese de que se haya extraído del filtro todo el material de embalaje cuidando de no retirar el marco del filtro. Utilice sólo los repuestos de filtros Filtrete™ (FAPF00) en este purificador de aire.
4. Empuje la parte inferior del filtro dentro del purificador de aire.
5. Para reinstalar la tapa del filtro, primero coloque las dos perillas ubicadas en la parte inferior de la puerta del filtro dentro de los orificios próximos a la parte inferior del purificador de aire.
6. Empuje la puerta del filtro hacia el purificador de aire hasta que se trabe de manera segura.

17

Solución de Problemas

Si el filtro de repuesto no calza:

- Verifique el número de modelo en el filtro. El mismo debe ser FAPF00.
- Asegúrese de que ningún objeto extraño obstruya la apertura del filtro.
- En el cuerpo del purificador de aire existen varias nervaduras que sostienen al filtro en su lugar, asegúrese de insertar primero la parte superior del filtro.

El purificador de aire no enciende:

- La perilla que se encuentra en la parte central superior se utiliza para cambiar las velocidades. Gire la perilla en el sentido de las agujas del reloj para encender el purificador de aire o para cambiar las velocidades.
- Asegúrese de que el purificador de aire esté enchufado correctamente a un tomacorriente de 120V CA.
- Verifique que no existan fusibles quemados ni interruptores de circuito activados.

Disminución del flujo de aire:

- Verifique el purificador de aire para asegurar de que la admisión y la salida del aire filtrado no se encuentren obstruidas.
- Chequee la condición del filtro y, si estuviese sucio, reemplácelo con un filtro de repuesto Filtrete™ (FAPF00).
- Asegúrese de que se hayan extraído del filtro todos los materiales del embalaje. No extraiga el marco del filtro.
- Se necesitan varios minutos para que el purificador de aire entre en calor. Durante dicho tiempo, la velocidad del motor y el flujo de aire comenzarán en un valor más bajo, alcanzando su velocidad final en proxímadamente cinco minutos.

Funcionamiento ruidoso:

- Chequee la condición del filtro y, si estuviese sucio, reemplácelo con un filtro de repuesto Filtrete (FAPF00).
- Asegúrese de que la entrada y salida del aire filtrado no estén bloqueadas.
- Es normal percibir una pequeña cantidad de ruido estático proveniente del purificador de aire.

Asistencia o Servicio y Garantía Limitada

Asesoramiento o Consultas

Para obtener más información sobre el uso de este purificador de aire, visite nuestro sitio Web: www.filtrete.com o comuníquese al 1-800-388-3458 desde los Estados Unidos o Canadá.

Garantía Limitada

Este producto estará libre de defectos de material y fabricación por un período de un año a partir de la fecha de compra. El usuario es responsable de determinar si este producto es apto para un propósito específico y adecuado para el método de aplicación del usuario. Si este producto de 3M resultara defectuoso, dentro del período de garantía expresado anteriormente, la solución exclusiva y la única obligación de 3M será, a criterio de 3M, la de reemplazar el producto de 3M o reintegrar el importe de la compra del producto de 3M. Esta garantía no cubre el uso o el desgaste normal; ni los daños ocasionados por accidentes, mal uso, uso de filtros alternativos, alteraciones o falta de cuidados razonables.

Esta garantía le otorga derechos legales específicos, además de otros derechos que puedan estar en su poder, los cuales pueden variar según el estado o país. Para obtener servicio de garantía, contáctese con 3M al 1-800-388-3458.

Restricción de la Responsabilidad

3M no será responsable de pérdidas o daños de este producto, ya sean directos, indirectos, materiales, inherentes o derivados, independientemente de la teoría jurídica declarada, incluyendo la responsabilidad objetiva, contractual, de garantía o por negligencia. Algunos estados y países no permiten la exclusión o limitación de daños inherentes o derivados, por lo cual es posible que la restricción o exclusión anterior no se aplique a su caso.

Table des Matières :

- 21** Consignes de Sécurité
- 22** Mises en Garde et Avertissements
- 24** Exigences d'Installation
 - Lieu d'Installation
 - Alimentation Électrique
- 24** Mode d'Emploi du Purificateur d'Air Modèle FAP00
 - Mise Sous/Hors Tension du Purificateur d'Air
 - Réglage de la Vitesse du Ventilateur
- 24** Nettoyage
- 25** Caractéristiques et Fonctions
 - Filtration
 - Augmentation Électrostatique
 - ENERGY STAR®
- 26** Changement du Filtre
- 28** Dépannage
- 29** Assistance ou Service et Garantie Limitée

Consignes de Sécurité

Consignes de Sécurité :

Lire, comprendre et suivre toutes les mesures de sécurité que contiennent les présentes directives avant d'utiliser le purificateur d'air ultra silencieux Filtrete™. LISEZ ET CONSERVEZ CES INSTRUCTIONS aux fins de référence.

Utilisation Prévue :

Le purificateur d'air une pièce Filtrete a été conçu pour être utilisé uniquement à l'intérieur, avec des filtres de marque Filtrete; il utilise une alimentation électrique standard de 120 V.c.a. Ce purificateur d'air est conçu pour aider à enlever les petites et les grandes particules présentes dans l'air à travers le filtre dans la pièce où le purificateur d'air est situé. Ce purificateur d'air n'a pas été testé avec des filtres d'une autre marque que Filtrete, n'a pas fonctionné à différents voltages ou été utilisé à l'extérieur; Chacun de ces mauvais usages peut endommager le purificateur d'air et/ou générer des conditions de fonctionnement dangereuses.

Signification des Mots-Indicateurs

▲ MISE DE GARDE

Situation potentiellement dangereuse; le non-respect de cette consigne pose un risque de blessure grave ou même, mortelle.

▲ AVERTISSEMENT

Situation potentiellement dangereuse; le non-respect de cette consigne pose un risque de blessure mineure ou moyenne.

Mises en Garde et Avertissements

▲ M I S E D E G A R D E

Prévention des risques associés à la tension électrique :

- Branchez la fiche d'alimentation de la façon appropriée en vous assurant que les broches sont complètement insérées dans une prise électrique dont la tension nominale est correcte.
- Ne faites pas fonctionner le purificateur d'air une pièce Filtrete si le cordon d'alimentation est effiloché ou endommagé de quelque façon que ce soit.
- Ne touchez pas le cordon d'alimentation avec des mains mouillées.
- Débranchez l'appareil avant de remplacer le filtre.
- Ne pas utiliser à l'extérieur ou dans un endroit humide.
- Le purificateur d'air une pièce Filtrete ne doit pas être immergé dans l'eau.
- L'utilisateur ne doit ni modifier ni tenter de modifier ce produit.
- L'utilisateur ne doit pas démonter le purificateur d'air une pièce.
- Seul le remplacement du filtre peut être exécuté par l'utilisateur. Cet appareil ne contient aucune autre pièce pouvant être ajustée, réparée ou remplacée par l'utilisateur.
- Afin de réduire les risques de décharges électriques, cet équipement possède une fiche polarisée (l'une des lames est plus large que l'autre). Cette fiche entrera dans une prise polarisée d'une seule façon. S'il est impossible d'insérer la fiche dans la prise, retournez-la et essayez à nouveau. S'il est encore impossible de l'insérer, confiez à un professionnel compétent le soin d'installer une prise électrique adéquate. Ne modifiez pas la fiche d'aucune façon.

Prévention des risques d'incendie ou associés à la tension électrique :

- Le purificateur d'air une pièce Filtrete doit être branché dans une prise électrique dont la tension nominale est correcte.

- Cet équipement devrait être inspecté fréquemment, et la saleté récoltée devrait être enlevée régulièrement afin d'éviter une accumulation excessive qui pourrait provoquer un embrasement général ou un risque incendie.

Prévention des risques associés à la tension électrique ou aux pales mobiles :

- Ne placez pas les doigts et ne faites pénétrer aucun objet dans les orifices d'aération ni aucun orifice du boîtier du moteur.

Prévention des risques d'incendie :

- Aucun orifice d'aération ne doit être obstrué lorsque cet appareil est en marche.
- Le purificateur d'air une pièce ne doit pas être installé près d'une source de chaleur.

Prévention des risques d'incendie, d'explosion ou associés à la tension :

- Aucune matière combustible ou inflammable ne doit être placée sur le dessus ou à proximité du purificateur d'air une pièce.
- Aucune substance liquide ou en aérosol ne doit entrer en contact avec le purificateur d'air une pièce ou sur le filtre.

Afin de réduire le risque associé à l'exposition à des matières résiduelles décrites dans ce document :

- Lisez et comprenez le manuel d'utilisation avant d'utiliser le purificateur d'air.
- Les enfants ou des animaux ne doivent pas être autorisés à se trouver à proximité de cet appareil sans supervision.

Mises en Garde et Avertissements

▲ A V E R T I S S E M E N T

Prévention des risques de contamination environnementale :

- Le purificateur et les filtres doivent être mis au rebut conformément aux règlements locaux, provinciaux et fédéraux en vigueur.

Afin de réduire le risque associé à l'exposition à des matières résiduelles décrites dans ce document :

- Le filtre devrait être changé après un usage continu de 90 jours maximum ou avant, selon les conditions présentes dans votre maison.
- Inspectez périodiquement le filtre pour détecter tout dommage ou blocage.
- Utilisez seulement les filtres de marque Filtrete™ dans le purificateur d'air.

Prévention des risques de chute ou de choc :

- Il ne faut ni s'asseoir ni déposer un objet sur cet appareil.
- Ne pas placer le purificateur d'air dans un endroit où l'on pourrait, par accident, le renverser ou le faire tomber d'une surface élevée.

Exigences d'Installation

Lieu d'Installation :

- Choisissez un lieu d'installation où la grille d'admission d'air et la sortie d'air filtré ne risquent pas d'être obstruées.
- Placez le purificateur d'air sur une surface uniforme et à niveau, à une distance minimale de 60 cm (2 pi) de toute source de chaleur, y compris une cuisinière ou un appareil de chauffage.
- Les orifices d'aération ne doivent pas être obstrués et l'appareil ne doit pas être installé sur une surface non rigide, tel un lit, un fauteuil ou un canapé.
- Conçu pour être utilisé à l'intérieur uniquement.

Alimentation Électrique :

- Brancher le purificateur d'air dans une prise électrique de 12 volts c.a.
- Afin de réduire les risques de décharges électriques, cet équipement possède une fiche polarisée (l'une des lames est plus large que l'autre). Cette fiche entrera dans une prise polarisée d'une seule façon. S'il est impossible d'insérer la fiche dans la prise, retournez-la et essayez à nouveau. S'il est encore impossible de l'insérer, confiez à un professionnel compétent le soin d'installer une prise électrique adéquate. Ne modifiez pas la fiche d'aucune façon.

Fonctionnement du Purificateur d'Air

AVIS IMPORTANT :

- Lisez et comprenez le manuel d'utilisation avant d'utiliser le purificateur d'air.

Mise en Marche et Arrêt du Purificateur d'Air une Pièce :

- Le purificateur d'air une pièce doit être branché correctement dans une prise de 120 V.c.a.
- Pour mettre le purificateur d'air sous tension, tourner le bouton de réglage au centre du grillage supérieur dans le sens des aiguilles d'une montre.
- Pour mettre le purificateur d'air hors tension, tourner ce même bouton dans le sens contraire des aiguilles d'une montre.

Réglage de la Vitesse du Ventilateur :

- Il y a trois réglages de vitesse : faible et élevé. Pour augmenter la vitesse du ventilateur, tourner le bouton de réglage dans le sens des aiguilles d'une montre. Pour réduire la vitesse, tourner le bouton de réglage dans le sens contraire des aiguilles d'une montre.

Nettoyage

Nettoyage :

- Éteignez et débranchez le purificateur d'air une pièce avant de le nettoyer.
- L'extérieur du purificateur d'air une pièce peut être nettoyé au moyen d'un chiffon doux et humide.
- Les grilles d'admission et de sortie d'air peuvent être nettoyées avec une petite brosse à poils souples.

Caractéristiques et Fonctions

Ce purificateur d'air Filtrete™ de 3M comprend les derniers progrès de la technologie de filtration de l'air avec une conception élégante et d'avant-garde.

Filtration :

Les filtres Filtrete font appel à une technologie exclusive pour procurer une capacité de filtration élevée et une faible résistance à la circulation de l'air. Lorsque combiné avec le ventilateur et le boîtier spécialement conçu, le résultat offre un purificateur d'air hautement efficace qui fonctionne silencieusement.

Ce filtre Filtrete contient des fibres chargées électrostatiquement qui emprisonnent des particules aussi petites que 0,1 micron. Les fibres chargées électrostatiquement sont plus efficaces lorsque le filtre est neuf et propre. Tandis que les particules s'accumulent sur le filtre, celles-ci recouvrent les fibres chargées. Ceci réduira l'efficacité du filtre pour capturer des particules additionnelles et peut survenir tôt lors de l'utilisation du filtre. Le délai et la portée de cette réduction est fonction des conditions d'utilisation réelles dans la pièce de la maison.

Pour optimiser la purification de l'air de la pièce où se trouve le purificateur, on recommande de nettoyer et de fermer la pièce le plus possible; de continuer d'épousseter les surfaces et de passer l'aspirateur à la fréquence normale et de fermer toutes les fenêtres et les portes pendant le fonctionnement de l'appareil.

Augmentation Électrostatique :

Ce purificateur d'air produit des ions négatifs qui chargent les particules dans l'air et qui améliorent la filtration des petites particules. Les particules chargées sont capturées dans l'air qui passe à travers le filtre. Cette unité émet une très petite quantité d'ozone, mais a été certifiée comme produisant une quantité inférieure aux limites permises par les standards stricts du Underwriter's Laboratory (UL) ainsi qu'aux autres standards de sécurité applicables.

ENERGY STAR® :

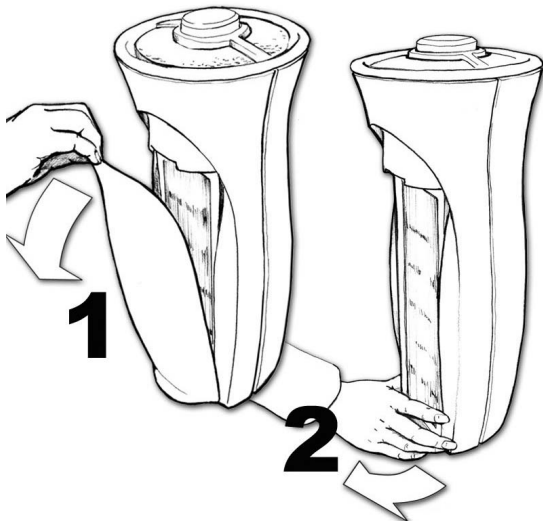
Ce produit a reçu la certification ENERGY STAR en satisfaisant les strictes directives d'efficacité énergétique établies par le U.S. EPA. Le U.S. EPA n'appuie aucune des déclarations du fabricant affirmant que l'utilisation de ce produit offre un air intérieur plus sain. L'efficacité énergétique de ce modèle qualifié ENERGY STAR est mesurée selon le ratio entre le CADR pour la poussière et l'électricité qu'il consomme ou le CADR/Watt.



Changement du Filtre

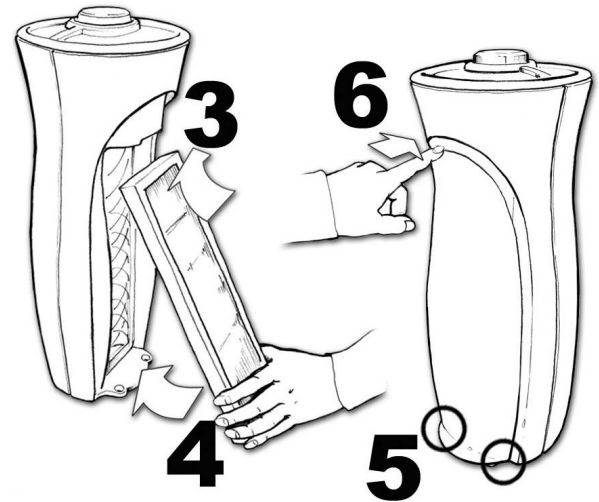
Le filtre du purificateur d'air devrait être changé après environ 90 jours d'utilisation continue. Selon les conditions présentes dans votre maison, le filtre peut nécessiter un changement plus fréquent. L'utilisation du purificateur d'air dans des environnements en présence de fumée de tabac, de chandelles, de travaux de construction, de projets de sablage, de poêle à bois ou de foyer, ou d'animaux dans la maison peut diminuer la durée de vie du filtre. Le filtre devrait être vérifié périodiquement pour que les dommages et les blocages soient détectés.

Une étiquette de changement de filtre est incluse à l'intérieur du couvercle du filtre pour votre référence. En plus des illustrations sur le changement de filtre, vous retrouverez un tableau de changements de couleur indiquant l'utilisation approximative du filtre. Le tableau de changements de couleur fournit une indication visuelle de la durée de vie d'un filtre sous des conditions normales.



1. Pour enlever le couvercle du filtre, saisissez le dessus du couvercle du filtre et tirez vers l'extérieur du purificateur d'air.
2. Pour enlever le filtre usagé, saisissez le bas des rebords du filtre usagé et tirez vers l'extérieur du purificateur d'air. Jetez le filtre usagé selon les réglementations locales, provinciales et fédérales.

Changement du Filtre



3. Insérez l'une des extrémités du nouveau filtre vers le dessus de l'ouverture du filtre du purificateur d'air. Le dessus du filtre doit s'insérer derrière une petite rangée de fixations de filtre. Assurez-vous que tous les matériaux d'emballage ont été enlevés du filtre, mais n'enlevez pas le cadre du filtre. N'utilisez que les filtres de remplacement Filtrete™ (FAPF00) dans ce purificateur d'air.
4. Poussez le bas du filtre dans le purificateur d'air.
5. Pour replacer le couvercle du filtre, placez tout d'abord les deux boutons situés au bas de la porte du filtre dans les ouvertures près de l'arrière du purificateur d'air.
6. Poussez la porte du filtre vers le purificateur d'air jusqu'à ce que le loquet se referme.

Dépannage

Le filtre de remplacement ne fait pas :

- Vérifiez le numéro de modèle sur le filtre. Le numéro devrait être FAPF00.
- Assurez-vous qu'aucun objet étranger ne bloque l'ouverture du filtre.
- Plusieurs petites nervures à l'intérieur du corps du purificateur d'air tiennent le filtre en place; assurez-vous d'insérer le dessus du filtre en premier.

Il est impossible de mettre le purificateur d'air en marche :

- Le bouton au centre sur le dessus du purificateur d'air est utilisé pour changer les vitesses. Tournez le bouton dans le sens horaire pour mettre en marche le purificateur d'air ou pour augmenter sa vitesse.
- Le purificateur d'air une pièce doit être branché correctement dans une prise de 120 V.c.a.
- Vérifiez si un fusible a grillé ou si le disjoncteur s'est déclenché.

Le flux d'air est réduit :

- Vérifiez le purificateur d'air pour vous assurer que l'entrée d'air et la sortie de l'air filtré ne sont pas bloquées.
- Vérifiez la condition du filtre et remplacez-le avec un filtre de remplacement Filtrete™ (FAPF00) s'il est sale.
- Assurez-vous que tous les matériaux d'emballage ont été enlevés du filtre. N'enlevez pas le cadre du filtre.
- Le purificateur d'air prend plusieurs minutes à se réchauffer. Durant ce temps, la vitesse du moteur et le débit d'air vont commencer à une valeur inférieure et attendront la vitesse finale après environ cinq minutes.

L'appareil est très bruyant :

- Vérifiez la condition du filtre et remplacez-le avec un filtre de remplacement Filtrete™ (FAPF00) s'il est sale.
- Assurez-vous que rien n'obstrue l'entrée d'air et la sortie d'air filtré.
- Une petite quantité de bruit statique provenant du purificateur d'air est normal.

Assistance ou Service et Garantie Limitée

Assistance ou Information

Pour plus d'information sur le fonctionnement du purificateur d'air une pièce, visitez notre site Web, à www.filtrete.com, ou encore, composez le 1 800 388-3458 à partir des États-Unis ou du Canada.

Garantie Limitée :

La responsabilité de déterminer si cet appareil convient à une application donnée relève de l'utilisateur. La responsabilité de déterminer si cet appareil convient à une application donnée relève de l'utilisateur. Si ce produit 3M s'avère défectueux pendant la période de garantie énoncée ci-haut, votre seul recours et l'unique obligation de 3M, consiste à remplacer le produit 3M ou à en rembourser le prix d'achat, au choix de 3M. Cette garantie ne couvre pas l'usure normale ou les dommages résultant d'un accident, d'une mauvaise utilisation, de l'utilisation de filtreur d'un autre modèle, d'altérations ou d'un manquement à l'entretien normal.

Cette garantie vous confère des droits juridiques spécifiques. Elle pourrait également vous accorder d'autres droits qui varient d'un état à l'autre ou d'un pays à l'autre. Pour vous prévaloir des services prévus par la garantie, veuillez communiquer avec 3M en composant le 1 800 388-3458.

Limitation de Responsabilité

3M ne saurait être tenue responsable de quelque perte ou dommage directs, indirects, spéciaux, fortuits ou conséquents, résultant de l'utilisation de ce produit 3M et quelque soit la théorie juridique dont on se prévaut, y compris, la garantie, le contrat, la négligence ou la responsabilité stricte. Certaines juridictions ne permettent pas l'exclusion ni la limite de responsabilité dans les cas de dommages fortuits ou conséquents. Ainsi, il est possible que les limites ou restrictions énoncées ci-dessus ne s'appliquent pas à vous.