



Quick Start Guide

3Com® WLAN Managed AP3150

3CRWX315075A / Model AP3150

The 3Com® AP3150 Managed Access Point provides dual-radio IEEE 802.11a and 802.11b/g wireless access to the network. The access point is designed for use with a 3Com Wireless LAN Switch, and requires hardware installation only. All configuration for the access point takes place on the 3Com Wireless LAN Switch.

You must have a wireless switch device to operate the access point. The following WLAN switch devices can be connected to the access point:

- 3Com WX4400
- 3Com WX2200
- 3Com WX1200
- 3Com WXR100

Power is supplied using Power Over Ethernet (PoE). The following 3Com PoE devices may be used to supply power to the access point:

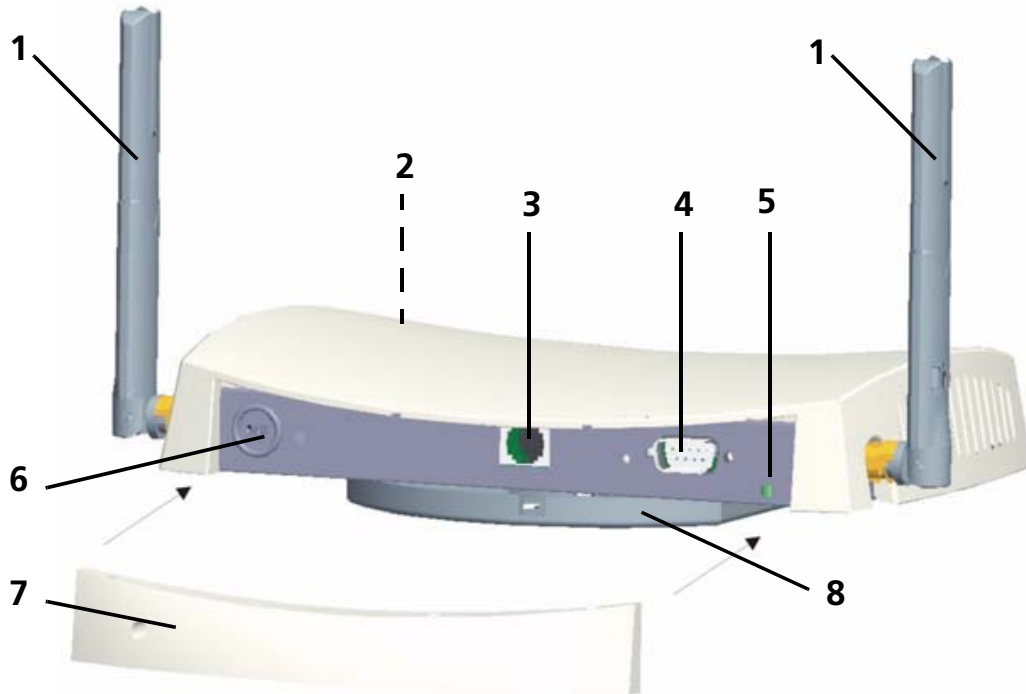
- 3Com PoE Injector
- 3Com 4400PWR PoE Switch
- 3Com Multi-port PoE power supply
- 3Com WX1200
- 3Com WXR100
- 3Com Baseline Switch 2426-PWR Plus

About This Guide

This Quick Start Guide describes the basic installation of the access point. It covers the following topics:

- 3Com AP3150 Managed Access Point Features
- Observing Safety Precautions
- Step 1: Unpacking the Access Point
- Step 2: Preparing for Installation
- Step 3: Attaching the Antennas
- Step 4: Mounting the Access Point
- Step 5: Connecting the Access Point to a Switch
- Step 6: Checking the LED Indicators
- Recovery to Managed Mode
- Troubleshooting

3Com AP3150 Managed Access Point Features



Feature	Description
1 Antenna Connectors	Two RSMA type antenna connectors allow you to connect antennas that operate in 2.4 GHz and 5.0 GHz bands.
2 LEDs	The LEDs indicate power and activity. See "Checking the LED Indicators" on page 9 for details.
3 Ethernet Port	The Ethernet port provides a 10/100BASE-TX Ethernet connection to a 3Com Wireless LAN switch. The connection can be direct to a 3Com switch or indirect through an intermediate Layer 2 or Layer 3 network. Use a standard Category 5 cable with straight-through signaling and standard RJ-45 connectors to connect the access point to the switch on the network.
4 Serial Port	The serial port is not supported.
5 Reset Button	To restore factory settings, press the reset button during power-up by inserting a pointed object into the reset hole on the back of the access point and holding for at least 20 seconds. XREF.
6 Kensington lock connector	
7 Detachable rear-panel cover	
8 Mounting Bracket	The mounting bracket comes attached to the access point and allows the unit to be mounted on a wall or ceiling.

Observing Safety Precautions

This equipment must be installed in compliance with local and national building codes, regulatory restrictions, and FCC rules. For the safety of people and equipment, only professional network personnel should install the access point.



WARNING: Warnings contain directions that you must follow for your personal safety. Follow all directions carefully.

You must read the following safety information carefully before you install or remove the unit.



WARNING: Exceptional care must be taken during installation and removal of the unit.



WARNING: The socket outlet must be near to the unit and easily accessible. You can only remove power from the unit by disconnecting the power cord from the outlet.



WARNING: This unit operates under SELV (Safety Extra Low Voltage) conditions according to IEC 950 / IEC 60950. The conditions are only maintained if the equipment to which it is connected also operates under SELV conditions.



WARNING: There are no user-replaceable fuses or user-serviceable parts inside the unit. If you have a physical problem with the unit that cannot be solved with problem solving actions in this guide, contact your supplier.



WARNING: Disconnect the power adapter before moving the unit.



WARNING: RJ-45 ports. These are shielded RJ-45 data sockets. They cannot be used as standard traditional telephone sockets, or to connect the unit to a traditional PBX or public telephone network. Only connect RJ-45 data connectors, network telephony systems, or network telephones to these sockets.

Either shielded or unshielded data cables with shielded or unshielded jacks can be connected to these data sockets.



WARNING: To comply with FCC radio frequency (RF) exposure limits, a minimum body-to-antenna distance of 20 cm (8 in.) must be maintained when the access point is operational.

Informacje na temat bezpieczeństwa

Urządzenie musi być zamontowane zgodnie z lokalnymi i krajowymi normami, ustawami i przepisami. W celu zagwarantowania bezpieczeństwa osób i urządzeń, instalację Punktu dostępowego może przeprowadzać wyłącznie wyszkolony fachowiec ds. sieci.



OSTRZEŻENIE: Ostrzeżenia zawierają wskazówki, których należy przestrzegać w celu zagwarantowania bezpieczeństwa osobistego. Do tych zaleceń należy stosować się dokładnie.

Przed przystąpieniem do montażu lub demontażu urządzenia należy dokładnie przeczytać następujące informacje dotyczące bezpieczeństwa.



OSTRZEŻENIE: Podczas montażu lub demontażu urządzenia należy pracować z wyjątkową uwagą.



OSTRZEŻENIE: Gniazdo sieciowe powinno znajdować się w pobliżu urządzenia i być łatwo dostępne. Z urządzenia można odciąć zasilanie wyłącznie poprzez wyjęcie kabla zasilającego z gniazda.



OSTRZEŻENIE: Urządzenie działa w warunkach SELV (obwód bezpiecznego niskiego napięcia) zgodnie z normą IEC 950 / IEC 60950. Warunki te są jednak zagwarantowane wyłącznie wtedy, gdy sprzęt, do którego podłączone jest urządzenie, również pracuje w obwodzie SELV.



OSTRZEŻENIE: Wewnątrz urządzenia nie znajdują się wymienne bezpieczniki lub części, które mogłyby być oddane do naprawy. W przypadku wystąpienia problemu, którego nie można rozwiązać za pomocą wskazówek podanych w tej instrukcji obsługi, prosimy o kontakt z dostawcą produktu.



OSTRZEŻENIE: Przed przeniesieniem urządzenia należy odłączyć zasilacz.



OSTRZEŻENIE: Porty RJ-45. Są to ekranowane gniazda RJ-45 do danych. Nie są przeznaczone do użycia jako standardowe gniazda telefoniczne lub do podłączenia urządzenia do PBX lub publicznej sieci telefonicznej. Do tych gniazd wolno podłączać wyłącznie wtyki RJ-45 danych, systemów telefonii sieciowej lub telefonów sieciowych.

Do tych gniazd można podłączać kable danych ekranowane lub nieekranowane z ekranowanymi lub nieekranowanymi wtykami.



OSTRZEŻENIE: W związku z ograniczeniami częstotliwości radiowej (RF), minimalna odległość między ciałem a anteną wynosząca 20 cm (8 cali) musi być zachowana w przypadku stosowania Punktu dostępowego.

1. Unpacking the Access Point

Make sure that you have the following items, which are included with the access point:

- Two external 2.4 GHz and 5 GHz dual-band antennas
- Mounting bracket (attached to the access point)
- Wall-mounting hardware:
- Four adhesive rubber feet (used for a flat-surface installation).

2. Preparing for Installation

It is advisable to connect the power (if using an external power supply) and check the Ethernet cables and LEDs before installing the access point in a hard-to-reach location. Additionally, observe the following items before mounting or connecting the access point:

Installation Item	Description
Switch port	3Com recommends that you install and configure the 3Com Wireless LAN switch before installing the access point. Set the port type on the switch to an AP3150 access point.
Cabling	Make sure that standard Category 5 cable with straight-through signaling is installed at the site before you install the access point. Make sure that the cable is highly flexible and that there is no extra covering on the RJ-45 connector that could prevent the cable from being routed through the mounting bracket.
Power Requirements	Power must be supplied from an 802.3af Power Over Ethernet (PoE)-compliant device. If using an external PoE power injector, make sure the power outlet is accessible. The power supply plug is the only means of disconnecting the access point from power.
MAC Address	Record the access point MAC address in a safe place before the access point is installed in a hard-to-reach location. The MAC address is printed on the back of the access point. Additional MAC address labels are shipped with the access point.

3. Attaching the Antennas

Carefully unpack the standard detachable antennas. Screw the antennas on to the antenna connectors on the access point and hand-tighten them. After network startup, you may need to adjust the antennas to fine-tune coverage in your area. For best results, adjust the antennas so that they are perpendicular with the floor and ceiling.



CAUTION: Do not handle the antenna tips, especially after they are connected to the access point. This could lead to electrostatic discharge (ESD), which could damage the equipment.

Connecting Optional External Antennas

The access point has connectors for attaching optional external antennas and antenna cables. The tables below list the external antenna and cable models that are certified for use with the access point.

Antenna Model	Type
3CWE591	3Com 6/8 dBi Dual-Band Omnidirectional Antenna
3CWE592	3Com 3/4 dBi Dual Band Ceiling Antenna
3CWE597	3Com 6/8 dBi Dual-Band Hallway Antenna
3CWE598	3Com 8/10dBi Dual-Band Panel Antenna

Cable Model	Type
3CWE580	3Com Ultra Low Loss 6-Foot Antenna Cable
3CWE581	3Com Ultra Low Loss 20-Foot Antenna Cable
3CWE582	3Com Ultra Low Loss 50-Foot Antenna Cable
3CWE586	3Com RSMA to SMA 6-inch Antenna Cable Note 3CWE586 is required when using any of the external antennas

The 3Com antennas are dual-band, which means that they operate in both 2.4 GHz and 5 GHz spectra. You can use these antennas with either the 802.11b/g radio or the 802.11a radio. Each antenna requires the purchase of a separate antenna cable. For installation instructions, see the documentation that is supplied with the antenna.



NOTE: Antenna cables introduce loss of the RF signal. Always use the shortest cable that your application allows.



NOTE: During the installation, connect the antenna to the access point before connecting the Category 5 Ethernet cable. This ensures that the access point is not powered on when the antenna connections are made.

4. Mounting the Access Point

The access point can be mounted on the following types of surfaces:

- Wall, ceiling, or electrical box (NEMA enclosure)
- Tabletop

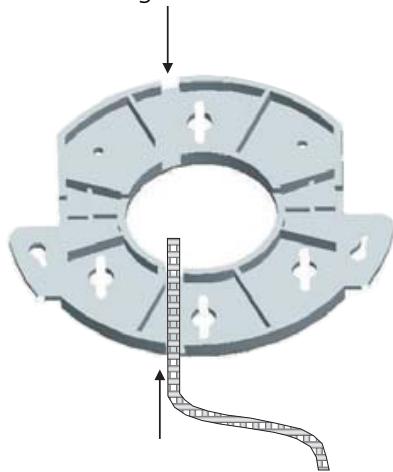
Wall, Ceiling, or Electrical Box Mounting

Use the mounting bracket that comes with your access point to install it on a wall, ceiling, or electrical box.

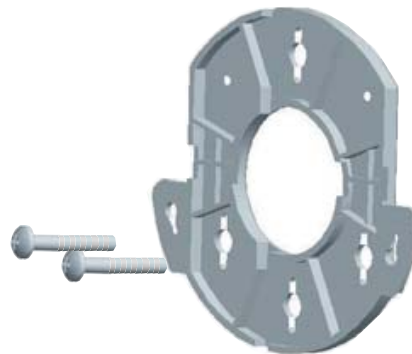
To wall-mount the access point:

- 1 Route Ethernet cable through the opening in the cradle.
- 2 Screw the mounting bracket to a wall, ceiling, or electrical box (NEMA enclosure):
 - If mounting to a solid surface wall or ceiling, use the two sheet metal screws.
 - If mounting to drywall, use the two sheet metal screws and two wall anchors.
 - If mounting to an electrical box (NEMA enclosure), use the two threaded screws.

The figures below show a cable being routed through the large opening in the cradle and then the cradle being mounted to a wall.



Routing a cable



Wall-mounting the cradle

- 3 Connect the Ethernet cable (for power and network connection) to the port on the rear of the access point.
- 4 Twist the access point onto the mounting bracket.

Tabletop Mounting

To install the access point on a flat surface such as a table or desktop:

- 1 Remove the backing from the four rubber feet and attach them on the bottom of the access point.
- 2 Place the access point on the table.
- 3 Connect the Ethernet cable (for power and network connection) to the port on the rear of the access point.

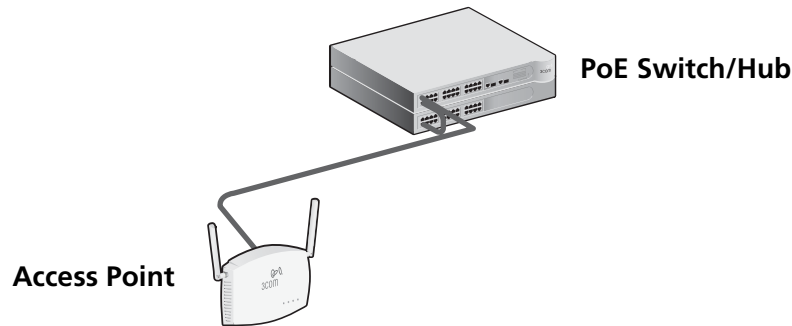
5. Connecting the Access Point to a Switch

The access point can be powered by the following methods:

- By Power Over Ethernet (PoE) supplied over the LAN by a 802.3af PoE compliant device such as a switch or hub.
- By PoE supplied by an optional 3Com PoE injector (not included). 3Com PoE injectors include the 3CNJPSE and 3CNJPSE24 midspan supplies.

Power Over Ethernet (PoE) from the LAN

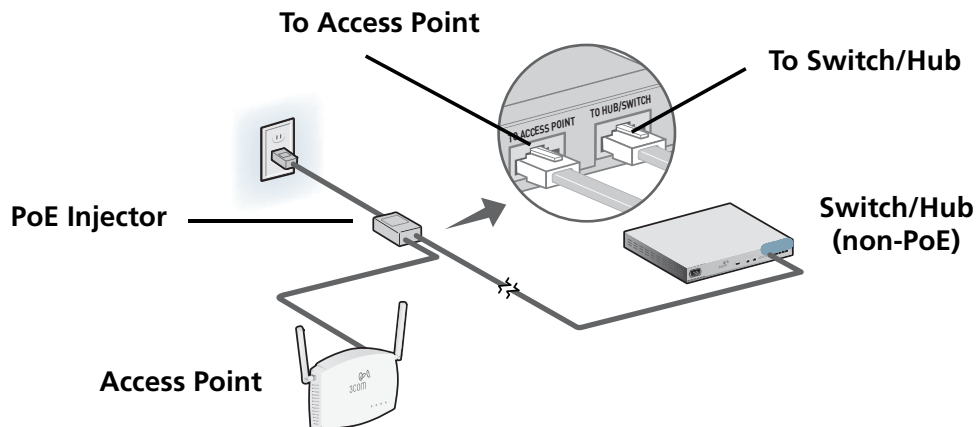
To power the access point using PoE provided by a switch or other 802.3af compliant device, simply plug the network cable from the device into the access point's Ethernet port.



Power Over Ethernet from a PoE Injector


To power the access point using a 3Com PoE Injector (available separately), do the following:

- 1 Connect the LAN cable from the switch or hub to the Hub/Switch port on the 3Com PoE Injector (available separately).
- 2 Next connect a LAN cable from the Ethernet port on the access point to the other port on the PoE injector.
- 3 Plug the PoE Injector into a properly grounded electric outlet.



6. Checking the LED Indicators

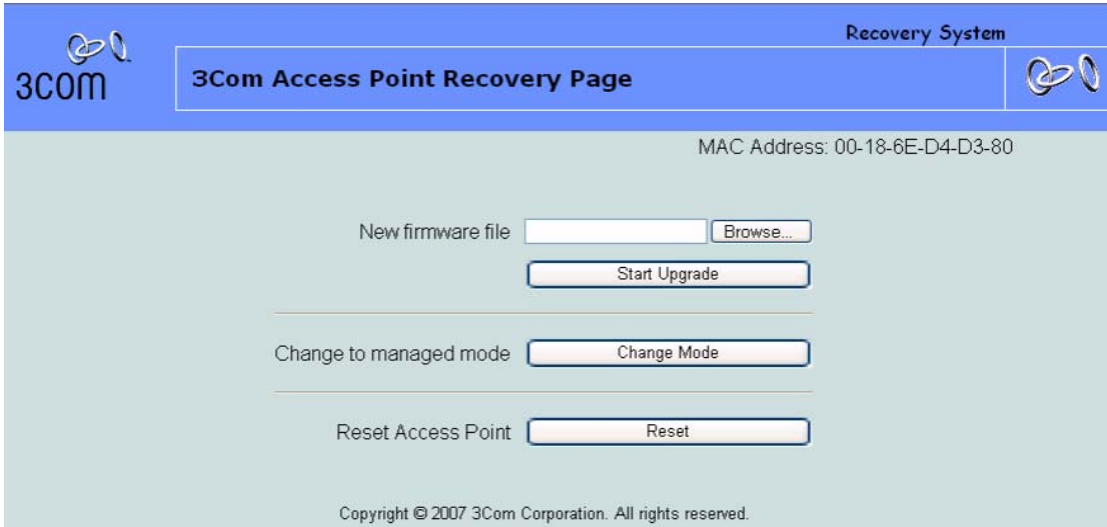
When the access point is connected to power, LEDs indicate activity as follows:

	LED	Color	Indicates
	Power	Green	Power On
		Amber	Flashing indicates a hardware failure, or the system is booting.
		Off	Power Off
	11a	Green	Indicates that 802.11a 5 GHz wireless networking is enabled. If the LED is flashing, the wireless link is OK and data is being transmitted or received.
		Off	The radio is off
	11b/g	Green	Indicates that 802.11g 2.4 GHz wireless networking is enabled. If the LED is flashing, the wireless link is OK and data is being transmitted or received.
Off		The radio is off	
LAN	Green	Indicates a 10/100Base-T network is detected at the Ethernet port. If the LED is flashing, the link is OK and data is being transmitted or received.	
	Off	No link	

Recovery to Managed Mode

If there is a problem with your access point you may need to reset it to Managed mode.

- 1 Before you begin, download the latest software AP3150 software image from www.3Com.com.
- 2 Shut down the access point by disconnecting power.
- 3 Press and hold the Reset button. Reconnect power and continue to hold the Reset button for 20 seconds. Your access point will restart in Recovery mode.
- 4 Connect to access point using the a web browser and the default IP address of **169.254.2.251**. When you connect to the unit, the Access Point Recovery Page is displayed:



Recovery System

3Com Access Point Recovery Page

MAC Address: 00-18-6E-D4-D3-80

New firmware file Browse...

Start Upgrade

Change to managed mode

Reset Access Point

Copyright © 2007 3Com Corporation. All rights reserved.

- 5 Click the **Browse** button and navigate to the access point software image file.
- 6 Click **Start Upgrade** to update your access point.
- 7 When the update is complete, click **Change Mode** to switch the access point to Managed mode.
- 8 Click the **Reset** button on the Recovery Page to reboot your access point.

Troubleshooting

Refer to the *Mobility System Configuration Guide* or to the *3Com Wireless LAN Switch Reference Manual* to obtain the access point status.

REGULATORY INFORMATION

The 3Com WLAN Managed AP3150, Model AP3150 (3CRWX315075A) must be installed and used in strict accordance with the manufacturer's instructions as described in the user documentation that comes with the product.



This product contains encryption. It is unlawful to export out of the U.S. without obtaining a U.S. Export License.

This product does not contain any user serviceable components. Any unauthorized product changes or modifications will invalidate 3Com's warranty and all applicable regulatory certifications and approvals.

This product must be installed by a professional technician/installer.

Only antennas specified for your region by 3Com can be used with this product. The use of external amplifiers or non-3Com antennas may invalidate regulatory certifications and approvals.

This product can be used with the following antennas and accessories:

Item	Description	Restrictions
—	Supplied antenna	
3CWE591	3Com 6/8dBi Dual-Band Omni Antenna	Must be used with 3CWE586 and one of the following: 3CWE580, 3CWE581 or 3CWE582.
3CWE592	3Com 3/4dBi Dual-Band Ceiling Mount Antenna	Must be used with 3CWE586 and one of the following: 3CWE580, 3CWE581 or 3CWE582.
3CWE597	3Com 4/6dBi Dual-Band Hallway Antenna	Must be used with 3CWE586 and one of the following: 3CWE580, 3CWE581 or 3CWE582.
3CWE598	3Com 8/10dBi Dual-Band Panel Antenna	Must be used with 3CWE586 and one of the following: 3CWE580, 3CWE581 or 3CWE582.
3CWE580	3Com Ultra Low Loss 6-Foot Antenna Cable	Must also use 3CWE586. Cannot be used with supplied antenna.
3CWE581	3Com Ultra Low Loss 20-Foot Antenna Cable	Must also use 3CWE586. Cannot be used with supplied antenna.
3CWE582	3Com Ultra Low Loss 50-Foot Antenna Cable	Must also use 3CWE586. Cannot be used with supplied antenna.
3CWE586	3Com RSMA to SMA 6-inch Antenna Cable	Required for all external antennas, except that supplied with the Access Point.

Suitable RF power levels for internal and external antennas are handled automatically by your 3Com Wireless Switch or Controller. Ensure that the switch or controller configuration is modified to use the antenna that is connected to the Access Point. Refer to the *Mobility System Configuration Guide* or to the *3Com Wireless LAN Switch Reference Manual* to modify the access point settings.

CAUTION: EXPOSURE TO RADIO FREQUENCY RADIATION

This device generates and radiates radio-frequency energy. In order to comply with FCC radio-frequency exposure guidelines for an uncontrolled environment, this equipment must be installed and operated while maintaining a minimum body to antenna distance of 20 cm (approximately 8 in.).

The installer of this radio equipment must ensure that the antenna is located or pointed such that it does not emit RF field in excess of Health Canada limits for the general population; consult Safety Code 6, obtainable from Health Canada's website www.hc-sc.gc.ca/rpb.

This equipment complies with IC radiation exposure limits set forth for an uncontrolled environment. End users must follow the specific operating instructions for satisfying RF exposure compliance. This equipment should be installed and operated with minimum distance 20 cm between the radiator and your body.

This product must maintain a minimum body to antenna distance of 20 cm. Under these conditions this product will meet the Basic Restriction limits of 1999/519/EC [Council Recommendation of 12 July 1999 on the limitation of exposure of the general public to electromagnetic fields (0 Hz to 300 GHz)].

US — RADIO FREQUENCY REQUIREMENTS

This device must not be co-located or operated in conjunction with any other antenna or transmitter.

This device is for indoor use only when using channels 36, 40, 44 or 48 in the 5.15 to 5.25 GHz frequency range.

High power radars are allocated as primary users of the 5.25 to 5.35 GHz and 5.65 to 5.85 GHz bands. These radar stations can cause interference with and/or damage this device.

FCC NOTICE

To comply with FCC Part 15 rules in the United States, the system must be professionally installed to ensure compliance with the Part 15 certification. It is the responsibility of the operator and professional installer to ensure that only certified systems are deployed in the United States. The use of the system in any other combination (such as co-located antennas transmitting the same information) is expressly forbidden in accordance with FCC rules CFR47 Part 15.204.

USA—FEDERAL COMMUNICATIONS COMMISSION (FCC) EMC COMPLIANCE

This equipment has been tested and found to comply with the limits for a Class B digital device, pursuant to Part 15 of the FCC Rules. These limits are designed to provide reasonable protection against harmful interference in a residential installation. This equipment generates, uses and can radiate radio frequency energy and, if not installed and used in accordance with the instructions, may cause harmful interference to radio communications. However, there is no guarantee that interference will not occur in a particular installation. If this equipment does cause harmful interference to radio or television reception, which can be determined by turning the equipment off and on, the user is encouraged to try to correct the interference by one or more of the following measures:

- Reorient or relocate the receiving antenna.
- Increase the separation between the equipment and receiver.
- Connect the equipment into an outlet on a circuit different from that to which the receiver is connected.
- Consult the dealer or an experienced radio/TV technician for help.

The user may find the following booklet prepared by the Federal Communications Commission helpful: *The Interference Handbook*. This booklet is available from the U.S. Government Printing Office, Washington, DC 20402. Stock No. 004-000-0034504.

3Com is not responsible for any radio or television interference caused by unauthorized modification of the devices included with this 3Com WLAN Managed AP, Model AP3150 (3CRWX315075A), or the substitution or attachment of connecting cables and equipment other than specified by 3Com.

The correction of interference caused by such unauthorized modification, substitution or attachment will be the responsibility of the user.

Changes or modifications not expressly approved by 3Com could void the user's authority to operate this equipment.

US MANUFACTURER'S FCC DECLARATION OF CONFORMITY

3Com Corporation
350 Campus Drive
Marlborough, MA 01752-3064, USA
(508) 323-5000

Date: 1 March 2007


Declares that the Product:

Brand Name: 3Com Corporation

Model Number: AP3150

Equipment Type: WLAN Managed AP3150

Complies with Part 15 of the FCC rules. Operation is subject to the following two conditions: (1) this device may not cause harmful interference, and (2) this device must accept any interference received, including interference that may cause undesired operation.

	3Com WLAN Managed AP3150 Model AP3150
---	--

INDUSTRY CANADA — RF COMPLIANCE

This device complies with RSS 210 of Industry Canada.

Operation is subject to the following two conditions: (1) this device may not cause interference, and (2) this device must accept any interference, including interference that may cause undesired operation of this device.

L'utilisation de ce dispositif est autorisée seulement aux conditions suivantes: (1) il ne doit pas produire de brouillage et (2) l'utilisateur du dispositif doit être prêt à accepter tout brouillage radioélectrique reçu, même si ce brouillage est susceptible de compromettre le fonctionnement du dispositif.

The term "IC" before the equipment certification number only signifies that the Industry Canada technical specifications were met.

To reduce potential radio interference to other users, the antenna type and its gain should be so chosen that the equivalent isotropically radiated power (EIRP) is not more than that required for successful communication. To prevent radio interference to the licensed service, this device is intended to be operated indoors and away from windows to provide maximum shielding. Equipment (or its transmit antenna) that is installed outdoors is subject to licensing.

Pour empêcher que cet appareil cause du brouillage au service faisant l'objet d'une licence, il doit être utilisé à l'intérieur et devrait être placé loin des fenêtres afin de fournir un écran de blindage maximal. Si le matériel (ou son antenne d'émission) est installé à l'extérieur, il doit faire l'objet d'une licence.

High power radars are allocated as primary users of the 5.25 to 5.35 GHz and 5.65 to 5.85 GHz bands. These radar stations can cause interference with and/or damage this device.

This device must not be co-located or operated in conjunction with any other antenna or transmitter.

The band 5150-5250 MHz is only for indoor usage to reduce the potential for harmful interference to co-channel mobile satellite systems.

This device has been designed to operate with the antennas listed at the start of the Regulatory Information section above (page 11), and having a maximum gain of 8 dB (2.4 GHz) or 10 dB (5 GHz). Antennas not included in this list or having a gain greater than 8 dB (2.4 GHz) or 10 dB (5 GHz) are strictly prohibited for use with this device. The required antenna impedance is 50 ohms.

INDUSTRY CANADA - EMISSIONS COMPLIANCE STATEMENT

This Class B digital apparatus complies with Canadian ICES-003.

Avis de Conformité à la Réglementation d'Industrie Canada

Cet appareil numérique de la classe B est conforme à la norme NMB-003 du Canada.

SAFETY COMPLIANCE NOTICE

This device has been tested and certified according to the following safety standards and is intended for use only in Information Technology Equipment which has been tested to these or other equivalent standards:

- UL Standard 60950-1
- CAN/CSA C22.2 No. 60950-1
- IEC 60950-1
- EN 60950-1

EU COMPLIANCE



Usage restrictions apply.
See documentation

This equipment may be operated in							
AT	BE	CY	CZ	DK	EE	FI	FR
DE	GR	HU	IE	IT	LV	LT	LU
MT	NL	PL	PT	SK	SI	ES	SE
GB	IS	LI	NO	CH	BG	RO	TR

Intended use: IEEE 802.11a/b/g radio LAN device

NOTE: To ensure product operation is in compliance with local regulations, select the country in which the product is installed.

Česky [Czech]	3Com Coporation tímto prohlašuje, že tento RLAN device je ve shodě se základními požadavky a dalšími příslušnými ustanoveními směrnice 1999/5/ES.
Dansk [Danish]	Undertegnede 3Com Corporation erklærer herved, at følgende udstyr RLAN device overholder de væsentlige krav og øvrige relevante krav i direktiv 1999/5/EF.
Deutsch [German]	Hiermit erklärt 3Com Corporation, dass sich das Gerät RLAN device in Übereinstimmung mit den grundlegenden Anforderungen und den übrigen einschlägigen Bestimmungen der Richtlinie 1999/5/EG befindet.
Eesti [Estonian]	Käesolevaga kinnitab 3Com Corporation seadme RLAN device vastavust direktiivi 1999/5/EÜ põhinõuetele ja nimetatud direktiivist tulenevatele teistele asjakohastele sätetele.
English	Hereby, 3Com Corporation, declares that this RLAN device is in compliance with the essential requirements and other relevant provisions of Directive 1999/5/EC.
Español [Spanish]	Por medio de la presente 3Com Corporation declara que el RLAN device cumple con los requisitos esenciales y cualesquiera otras disposiciones aplicables o exigibles de la Directiva 1999/5/CE.
Ελληνική [Greek]	ΜΕ ΤΗΝ ΠΑΡΟΥΣΑ 3Com Corporation ΔΗΛΩΝΕΙ ΟΤΙ RLAN device ΣΥΜΜΟΡΦΩΝΕΤΑΙ ΠΡΟΣ ΤΙΣ ΟΥΣΙΩΔΕΙΣ ΑΠΑΙΤΗΣΕΙΣ ΚΑΙ ΤΙΣ ΛΟΙΠΕΣ ΣΧΕΤΙΚΕΣ ΔΙΑΤΑΞΕΙΣ ΤΗΣ ΟΔΗΓΙΑΣ 1999/5/ΕΚ.
Français [French]	Par la présente 3Com Corporation déclare que l'appareil RLAN device est conforme aux exigences essentielles et aux autres dispositions pertinentes de la directive 1999/5/CE.
Italiano [Italian]	Con la presente 3Com Corporation dichiara che questo RLAN device è conforme ai requisiti essenziali ed alle altre disposizioni pertinenti stabilite dalla direttiva 1999/5/CE.
Latviski [Latvian]	Ar šo 3Com Corporation deklarē, ka RLAN device atbilst Direktīvas 1999/5/EK būtiskajām prasībām un citiem ar to saistītajiem noteikumiem.
Lietuvių [Lithuanian]	Šiuo 3Com Corporation deklaruoja, kad šis RLAN device atitinka esminius reikalavimus ir kitas 1999/5/EB Direktyvos nuostatas.
Nederlands [Dutch]	Hierbij verklaart 3Com Corporation dat het toestel RLAN device in overeenstemming is met de essentiële eisen en de andere relevante bepalingen van richtlijn 1999/5/EG.
Malti [Maltese]	Hawnhekk, 3Com Corporation, jiddikjara li dan RLAN device jikkonforma mal-htigijiet essenzjali u ma provvedimenti oħrajn relevanti li hemm fid-Dirrettiva 1999/5/EC.
Magyar [Hungarian]	Alulírott, 3Com Corporation nyilatkozom, hogy a RLAN device megfelel a vonatkozó alapvető követelményeknek és az 1999/5/EC irányelv egyéb előírásainak.
Polski [Polish]	Niniejszym 3Com Corporation oświadczam, że RLAN device jest zgodny z zasadniczymi wymogami oraz pozostałymi stosownymi postanowieniami Dyrektywy 1999/5/EC.
Português [Portuguese]	3Com Corporation declara que este RLAN device está conforme com os requisitos essenciais e outras disposições da Directiva 1999/5/CE.
Slovensko [Slovenian]	3Com Corporation izjavlja, da je ta RLAN device v skladu z bistvenimi zahtevami in ostalimi relevantnimi določili direktive 1999/5/ES.
Slovensky [Slovak]	3Com Corporation týmto vyhlasuje, že RLAN device spĺňa základné požiadavky a všetky príslušné ustanovenia Smernice 1999/5/ES.
Suomi [Finnish]	3Com Corporation vakuuttaa täten että RLAN device tyyppinen laite on direktiivin 1999/5/EY oleellisten vaatimusten ja sitä koskevien direktiivin muiden ehtojen mukainen.
Svenska [Swedish]	Härmed intygar 3Com Corporation att denna RLAN device står i överensstämmelse med de väsentliga egenskapskrav och övriga relevanta bestämmelser som framgår av direktiv 1999/5/EG.

Íslenska [Icelandic]	Hér með lýsir 3Com Corporation yfir því að RLAN device er í samræmi við grunnkröfur og aðrar kröfur, sem gerðar eru í tilskipun 1999/5/EC.
Norsk [Norwegian]	3Com Corporation erklærer herved at utstyret RLAN device er i samsvar med de grunnleggende krav og øvrige relevante krav i direktiv 1999/5/EF.

A copy of the signed Declaration of Conformity can be downloaded from the Product Support web page for the 3Com WLAN Managed AP3150, Model AP3150 (3CRWX315075A) at <http://www.3com.com>. Also available at http://support.3com.com/doc/AP3150_EU_DOC.pdf

EU - RESTRICTIONS FOR USE IN THE 2.4 GHZ BAND

This device may be operated indoors or outdoors in all countries of the European Community using the 2.4 GHz band: Channels 1–13, except where noted below.

- In **Italy** the end-user must apply for a license from the national spectrum authority to operate this device outdoors.
- In **Belgium** outdoor operation is only permitted using the 2.46 – 2.4835 GHz band: Channel 13.
- In **France** outdoor operation is only permitted using the 2.4 – 2.454 GHz band: Channels 1 – 7.

EU - RESTRICTIONS FOR USE IN THE 5 GHZ BAND

Allowed Frequency Bands	Allowed Channel Numbers	Countries
5.15–5.35 & 5.470–5.725 GHz	36, 40, 44, 48, 52, 56, 60, 64, 100, 104, 108, 112, 116, 120, 124, 128, 132, 136, 140	Austria, Belgium, Bulgaria, Cyprus, Czech Republic, Denmark, Estonia, Finland, France, Germany, Greece, Hungary, Iceland, Ireland, Italy, Latvia, Liechtenstein, Lithuania, Luxembourg, Malta, Netherlands, Norway, Poland, Portugal, Romania, Slovakia, Slovenia, Spain, Sweden, Switzerland, U.K.

- This device may not be operated outdoors when using the bands 5150–5350 MHz (Channels 36, 40, 44, 48, 52, 56, 50, 64).
- In Italy the end-user must apply for a license from the national spectrum authority to operate this device outdoors.
- To remain in conformance with European spectrum usage laws for Wireless LAN operation, the above 5 GHz channel limitations apply. The user should check the current channel of operation. If operation is occurring outside of the allowable frequencies as listed above, the user must cease operating the Access Point at that location and correct the configuration of the channels used before resuming operation.
- The 5 GHz Turbo mode feature is not allowed for operation in any European Community country.
- This device must be used with the radar detection feature required for European Community operation in the 5 GHz bands. This device will avoid operating on a channel occupied by any radar system in the area. The presence of nearby radar operation may result in temporary interruption in communications of this device. The Access Point's radar detection feature will automatically restart operation on a channel free of radar. You may consult with the local technical support staff responsible for the wireless network to ensure the Access Point device(s) are properly configured for European Community operation.

BRAZIL RF COMPLIANCE

Este produto está homologado pela ANATEL, de acordo com os procedimentos regulamentados pela Resolução 242/2000, e atende aos requisitos técnicos aplicados.

Opera em caráter secundário, isto é, não tem direito a proteção contra interferência prejudicial, mesmo de estações do mesmo tipo, e não pode causar interferência a sistemas operando em caráter primário.

Para maiores informações, consulte o site da ANATEL - www.anatel.gov.br

KOREA RF COMPLIANCE

This device may cause radio interference during its operation. Therefore service in relation to human life security is not available.

TAIWAN RF COMPLIANCE

經型式認證合格之低功率射頻電機，非經許可，公司、商號或使用者均不得擅自變更頻率、加大功率或變更原設計之特性及功能。低功率射頻電機之使用不得影響飛航安全及干擾合法通信；經發現有干擾現象時，應立即停用，並改善至無干擾時方得繼續使用。前項合法通信，指依電信法規定作業之無線電通信。低功率射頻電機須忍受合法通信或工業、科學及醫療用電波輻射性電機設備之干擾。

CHINA ROHS

电子信息产品污染控制管理方法
(第39号)
(又名中国RoHS)

部件名称	有毒有害物质或元素					
	铅 (Pb)	汞 (Hg)	镉 (Cd)	六价铬 (Cr(VI))	多溴联苯 (PBB)	多溴二苯醚 (PBDE)
印刷电路板及其组件	X	○	○	○	○	○
机箱/隔板/其它金属 和塑料部件	X	○	○	○	○	○
电缆/电线	X	○	○	○	○	○
天线	○	○	○	○	○	○
安装支架/其它附件	○	○	○	○	○	○
电源供应器及其组件	X	○	○	○	○	○

(○:表示该有毒有害物质在该部件所有均质材料中的含量均在SJ/T 11363-2006标准规定的限量要求.)

(X:表示该有毒有害物质在该部件的某一均质材料中的含量超出SJ/T 11363-2006标准规定的限量要求.)

The above table provides information required under the following Chinese legislation:

Management methods for Controlling Pollution by Electronic Information Products (No.39)

(also known as China RoHS)

Copyright © 2007 3Com Corporation. All rights reserved. 3Com and the 3Com logo are registered trademarks of 3Com Corporation. All other company and product names may be trademarks of the respective companies with which they are associated.

Part Number: 10015915 Rev. AA

Published June 2007