



Quick Start Guide



www.360fly.com



Your 360fly 4K has landed.

*Build your profile and join the 360°
uprising at 360fly.com*

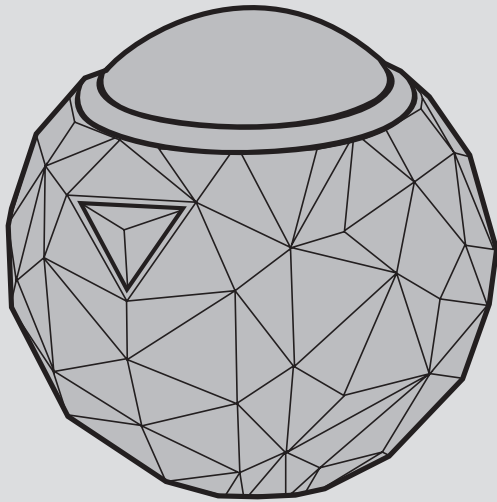
360fly 4K password:

*[If you're one to forget these types
of things, maybe write it here.]*

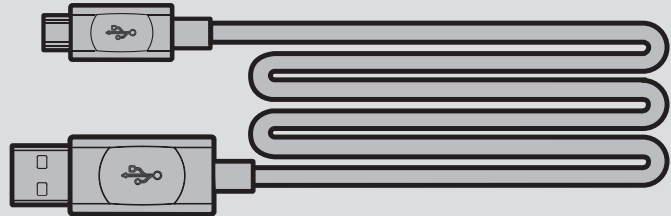
 facebook.com/360fly

 twitter.com/360fly

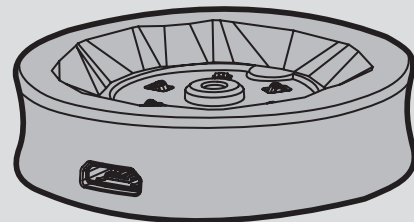
What's in the tube?



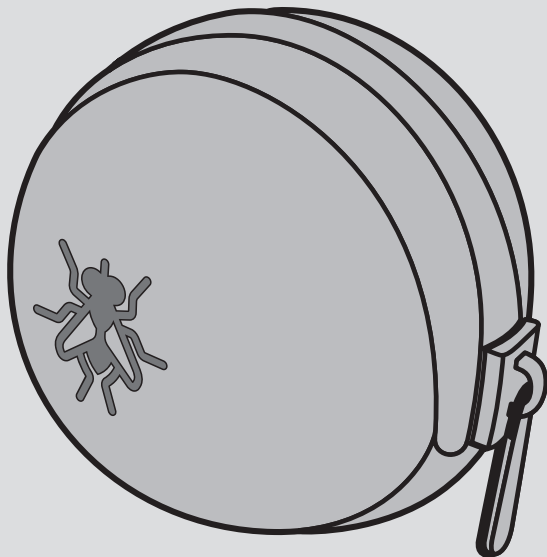
360fly 4K



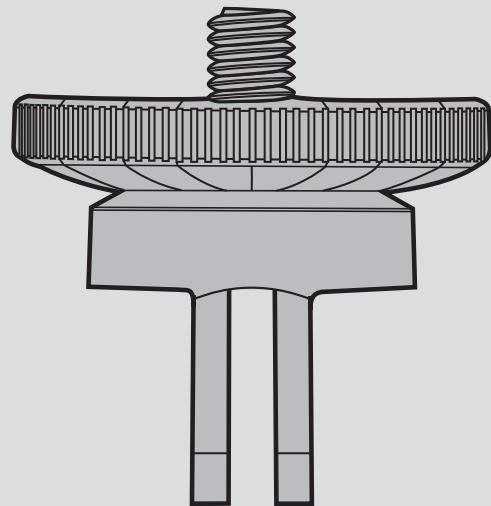
USB Cable



Magnetic Power Cradle



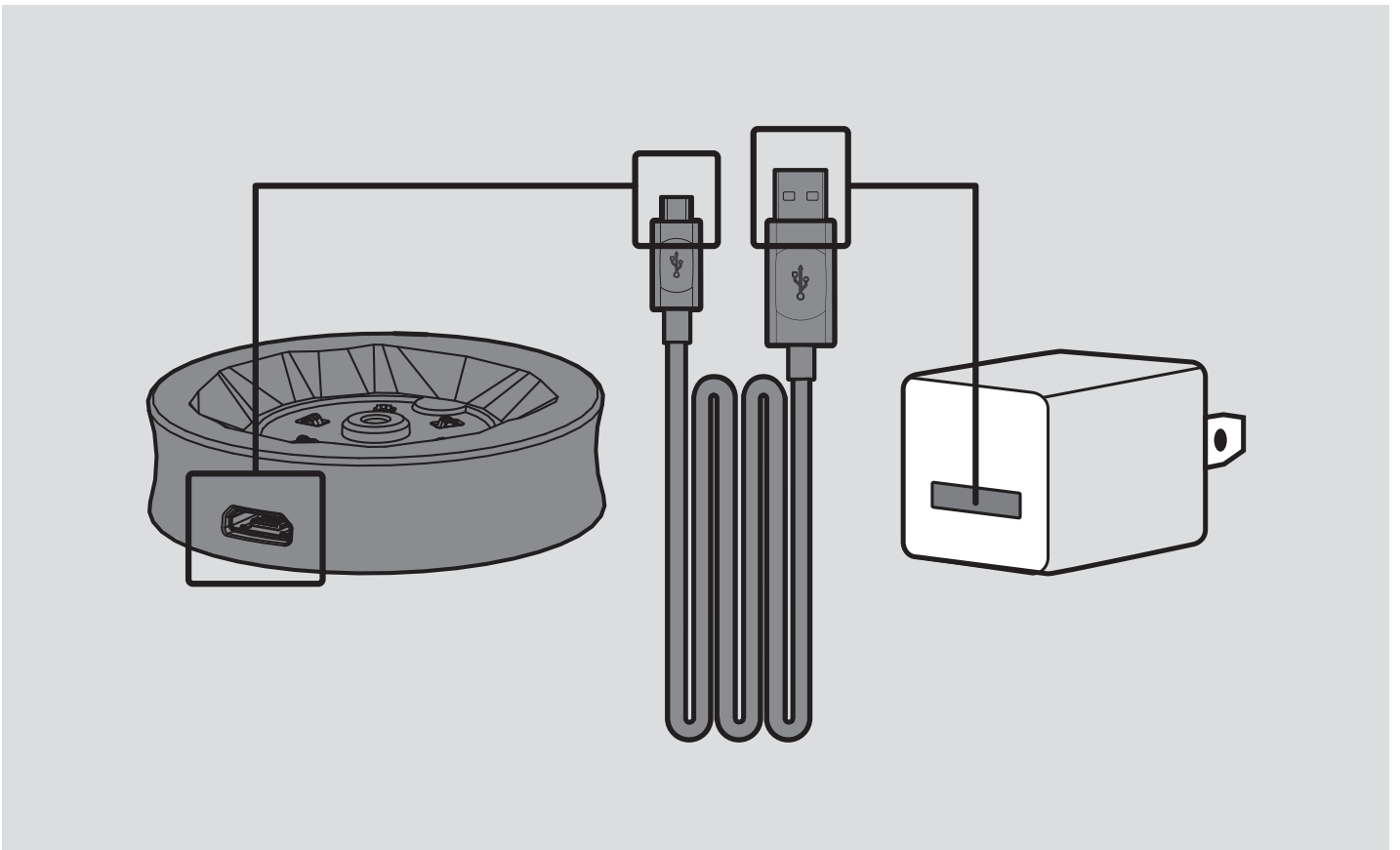
Protective Neoprene Pouch



2-Prong Action Camera Adapter

Charge.

To charge your camera, insert the USB cable into a USB outlet adapter rated at 1.5A to 2.1A [most tablet charger adapters] and plug it into **360fly 4K's** Power Cradle. Now simply place the camera on its charger. For best results, charge while the device is powered off.



Let's fly.


Step 1: Download the 360fly app. This app is key to capturing your entire world in 360° 4K video. Just search “360fly” in the App Store or Google Play and download it to your mobile device.

Now launch the app and follow the tutorial to set up your camera and build your 360fly profile.

Remember, the app allows your mobile device to serve as your camera's remote and viewfinder, giving you the power to edit, add effects and share clips on the fly.

Step 2: Remove your **360fly 4K** from the packaging and place it on its Magnetic Power Cradle while the cradle is plugged into a power source. Let your camera charge for at least 30 minutes.

Step 3: Remove your camera from its Power Cradle and turn it on by holding the OnePush button down for 4 seconds.

Step 4: Connect your mobile device and **360fly 4K** by tapping the Camera  icon in the app. Now tap the Camera drop down arrow to add or select a camera.

Step 5: Follow the in-app directions to name your **360fly 4K**, create a profile and complete your camera's setup, including giving your camera a name you'll love.

NOTE: For iOS, exit the app, go to your device's Settings and connect to your camera's Wi-Fi. The camera's name will be displayed within your device's Wi-Fi list.

Step 6: Use the included Action Camera Adapter with all your existing 3-prong mounts on your favorite gear and start capturing and sharing everything around you in immersive, interactive 360° 4K video.

Keep it clean.

A clean lens means even cleaner, crisper details. **360fly 4K**'s lens should be cleaned using a clean, soft cloth. Lens solution, isopropyl alcohol or water can be used for additional cleaning.

360fly 4K support, troubleshooting and complete Quick Start and User Guides.

For all your support needs, FAQ answers. User input and additional detail, visit **360fly.com/support**.

Get the complete guides.

To view and download the complete **360fly 4K** User's Guide, please visit **360fly.com/4KUserGuide**.



www.360fly.com

©2016 360fly, Inc. All Rights Reserved.

360fly, the Fly Icon and 360fly[icon] are trademarks of 360fly, Inc.

All other trademarks are property of their respective owners.

For a complete list of patents, please visit www.360fly.com/patents.

Part# AP1000996