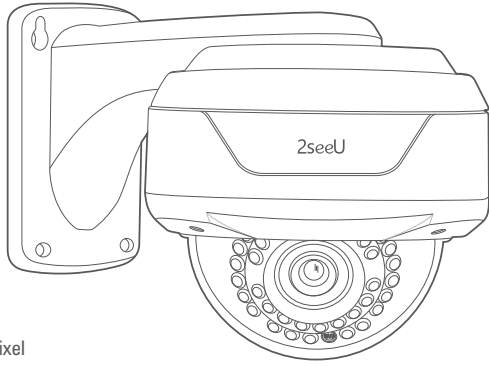


**OUTDOOR VARI FOCAL LENS
AHD IR VANDAL DOME CAMERA**

2seeU



1.3 Mega-Pixel
AHD Analog High Definition

Thank you for your purchase of this product.
Before attempting to connect or operate this product, please read these instructions completely.
The above drawing is for reference only.

MODEL:
2CU-Z301-AHD

FEATURES

- 1/3" SONY Exmor IMX238 CMOS Progressive Scan Sensor+NVP2431H
- 1.3 Mega-pixel Resolution (1280X960) with AHD DVR
- Lens: 2.8~12mm Vari-focal (3 Mega) Lens
- True Day/Night with ICR
- Support D-WDR Function
- 2D/3D Noise Reduction
- Low Exposure Shutter Speed
- Support Defog Function
- Min. Illumination up to 0.001Lux@F1.2; 0Lux with IR on
- 30pcs Oblong IR LED, Max. 90 Feet Night Vision Distance
- Support Two Types of Backlight (BLC & HSBC)
- Six Types of White Balance (ATW, AWC→SET, INDOOR, OUTDOOR, AWB and MANUAL)
- Four modes of Day/Night (AUTO, COLOR, B/W and EXT)
- Support D-EFFECT Function (FREEZE, MIRROR and NEG. IMAGE)
- Privacy Mask Zones (4 Areas selectable)
- Support Three Types of Defect (Live DPC, White DPC and Black DPC)
- Minimum Data Loss (Long Reach up to over 300m)
- Reliable & Low Cost Cabling (Coaxial Cables)
- IP 66 Housing (Waterproof)
- Lose Less Video on Display, No Image Latency Delay
- Support Eleven Types of Languages Setting (ENGLISH, CHINESE, GERMANY, FRENCH, ITALIAN, SPANISH, POLISH, RUSSIAN, PORTUGUESE, DUTCH, TURKISH)
- Support DC12V±1V Voltage Input

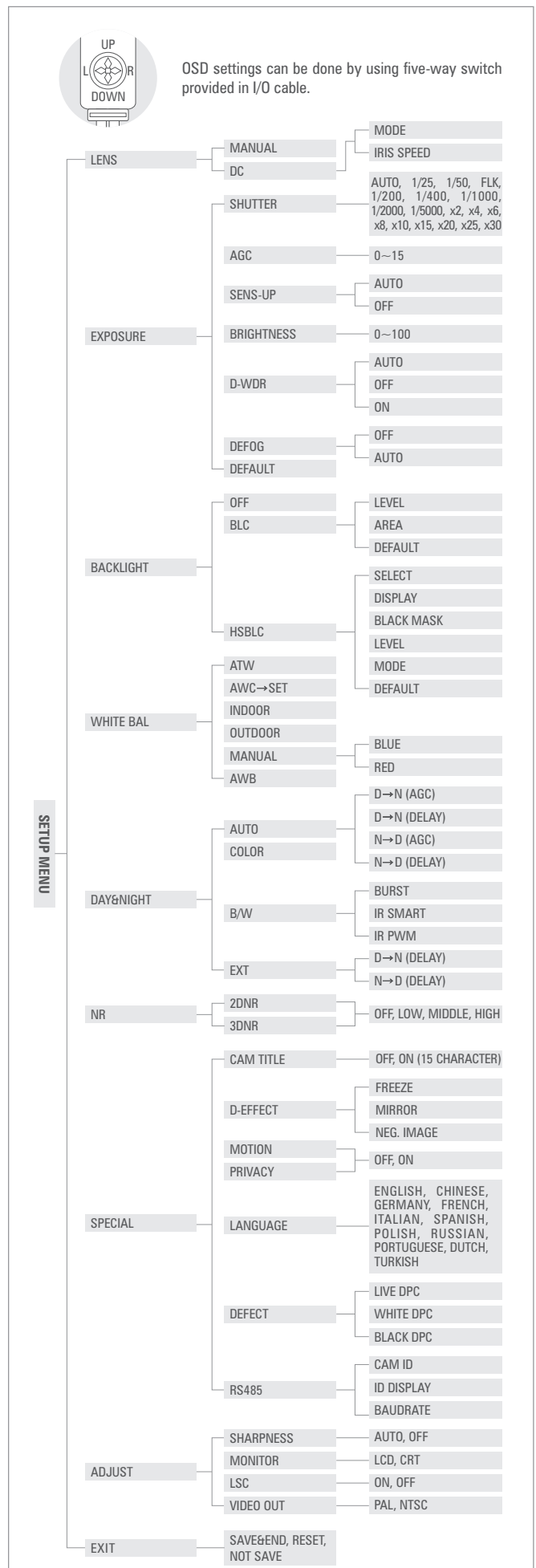
PACKAGE CONTENTS

1. AHD Camera.....1 pcs.
2. Operating Instruction (Manual).....1 pcs.
3. Mounting Template Sticker.....1 pcs.
4. Screw.....4 pcs.
5. Plastic Wall Plug.....4 pcs.

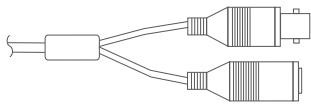
PRECAUTIONS

1. Do not attempt to disassemble the camera.
2. Handle the camera with care.
3. The installation should be made by qualified service personnel or system installers.
4. Do not use strong or abrasive detergents when cleaning the camera body.
5. Clean the CMOS faceplate with care.
6. Never face the camera towards the sun.
7. Use the camera at temperatures within -10 °C to +50 °C, and humidity below 90 % RH and the storage temperatures should be within -20 °C to +60 °C and humidity below 20% to 80 % RH.
8. Please operate the camera within the specified power source ratings. Avoid connections during a lightning storm. Otherwise, an electric shock may be caused.

OSD TREE



CAMERA CONNECTIONS



12 V DC Power Supply

Connect the 12 Volt DC power using DC Jack. Please make sure the polarity is correct. Incorrect polarity may cause malfunction and/or damage to the camera.

Video Output Connection

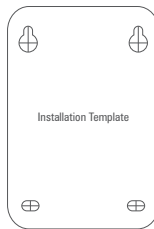
Connect BNC connector with 75 Ohms coaxial cable at Video Out BNC socket.

Wiring Precautions:

Do not bend the coaxial cable into a curve whose radius is smaller than 10 times the cable's diameter.

Never staple the cable even if with circular staples. Otherwise impedance mismatching will occur.

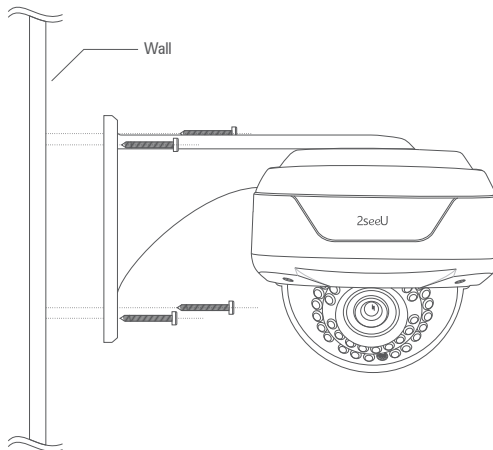
INSTALLATION OF CAMERA



MOUNTING TEMPLATE STICKER

The mentioned technical drawing is for Reference only. Actual size of Mounting Template Sticker is matched with Wall Mount Bracket.

1. Stick Mounting Template Sticker supplied for drilling the mounting hole on the mounting surface. The unit is intended to be mounted with four #10 screws through the four outer holes at the base of dome camera.
2. Install the appropriate anchors or threaded fasteners.



Note:

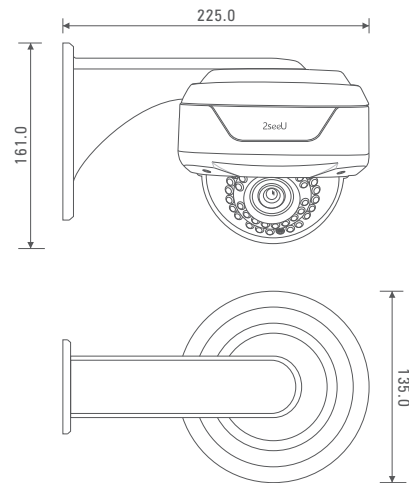
Do not touch any component like the PCB and the lens, as this will damage the camera. Switch on the power supply of 12 V DC after completing camera connections. The power is supplied to the camera.

TECHNICAL SPECIFICATIONS

Model Name	2CU-Z301-AHD	
System	PAL/NTSC	
Image Sensor	1/3" SONY Exmor IMX238 CMOS Progressive Scan Sensor	
Scanning System	Progressive Scan	
Maximum Image Resolution	1280X960	
Video Image Quality	As high as HD-SDI	
Lens Type	2.8-12mm Vari-focal (3 Mega) Lens	
S/N Ratio	More than 50 dB (AGC OFF)	
Analog Output	1280H CVBS COMET, AHD	
Min. Illumination	up to 0.001Lux@F1.2; 0Lux with IR on	
Exposure Shutter Speed	AUTO, 1/25, 1/50, FLK, 1/200, 1/400, 1/1000, 1/2000, 1/5000, 1/10000, 1/50000, X2, X4, X6, X8, X10, X15, X20, X25, X30	
D-WDR	AUTO, OFF, ON (LEVEL: 0-8)	
Defog	OFF, AUTO (GRADATION: 0-2)	
Backlight	OFF, BLC, HSBLC (4 AREA)	
White Balance	ATW, AWC → SET, INDOOR, OUTDOOR, AWB, MANUAL	
Day&Night	AUTO, COLOR, B/W, EXT	
DNR	2DNR	OFF, LOW, MIDDLE, HIGH
	3DNR	OFF, LOW, MIDDLE, HIGH
RS485	CAM ID	0-255
	ID DISPLAY	OFF, ON
	BAUDRATE	2400, 4800, 9600, 19200, 38400
D-EFFECT	FREEZE, MIRROR, NEG. IMAGE	
Privacy Mask	OFF, ON (4 AREA SELECTABLE)	
Defect	LIVE DPC, WHITE DPC, BLACK DPC	
SENS-UP	X2, X4, X6, X8, X10, X15, X20, X25, X30	
Language	ENGLISH, CHINESE, GERMAN, FRENCH, ITALIAN, SPANISH, POLISH, RUSSIAN, PORTUGUESE, DUTCH, TURKISH	
IR LED	30pcs	
IR Range	90 Feet	
Operating Temperature	-10°C ~ +50°C (14°F ~ 122°F)	
Power Supply	DC12V ± 1V	
Power Consumption	69mA/DC12V (DAY); 250mA/DC12V (with IR LED ON)	
Dimensions	225.0mm (L) X 135.0mm (W) X 161.0mm (H)	
Weight	Approx. 960g	

DIMENSIONS

Unit: mm



The above mentioned technical drawings are for reference only. All dimensions are in millimeters and approximate.