

SERVICE GUIDE

KYE SYSTEMS CORP.



SP-HF2.0 500

Version : 1.0

Revision History

Version	Date	Change
1.0	11/08/2004	

Table of Contents

Revision History	2
Table of Contents	3
Getting Started	4
Conventions Used in this Guide	4
Safety Precautions	4
Chapter 1. How to Handle Defective Returns.....	5
1.1 Overview	5
1.2 Problems	6
1.2.1 One or more channels no sound	7
1.2.2 Power LED (indicator) no light.....	8
1.2.3 Volume , Bass no function.....	8
Chapter 2. Specifications	9
Chapter 3. Block Diagram	11
Chapter 4. Exploded View	12
Chapter 5. Part List	15
Chapter 6. Schematic Diagram	17
Chapter 7. Important Notes	19
7.1 Packing Requirement for Sending the PCB Assembly by Post	19
7.2 Short of Spare Parts while Repairing a Speaker System	19

Getting Started

Conventions Used in this Guide



Pay Special Attention : Instructions that are important to remember and may prevent mistakes .

Caution : Information that, if not followed, may result in damage to the product .

Safety Precautions

The following precautions should be observed in handling the speaker Described in this guide :

Place the speakers on a flat, level and stable surface.

Do not place the speakers in environments subject to mist, smoke, vibration, excessive dust, salty or greasy air, or other corrosive gases and fumes.

Do not drop or jolt the speakers.

Do not allow anything to drop into the subwoofer case through its ventilator, as it could result in fatal electric shock or fire .

Place the unit far enough from other equipments for good heat dissipation .

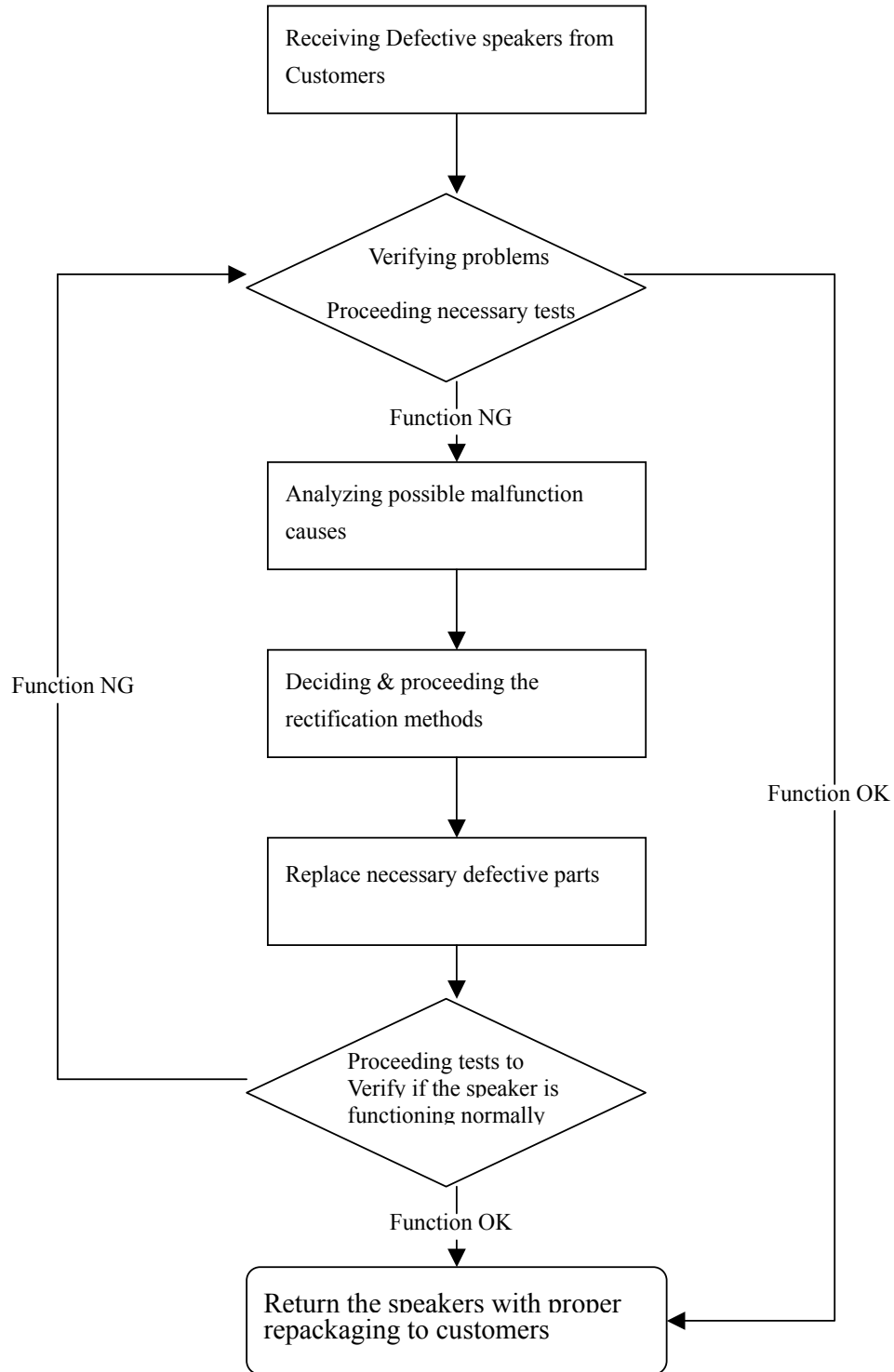
Disconnect the AC power cord from the AC outlet before performing any maintenance on the speakers .

Do not perform any maintenance with wet hand .

Prevent foreign substances, such as water, other liquids or chemicals , From entering the speakers while performing maintenance procedures on the speakers .

Chapter 1. How to Handle Defective Returns

1.1 Overview



1.2 Problems

Item	Problem Description
1.2.1	One or more channels no sound
1.2.2	Power LED (indicator) no light
1.2.3	Volume , Bass no function

⚠ Attention

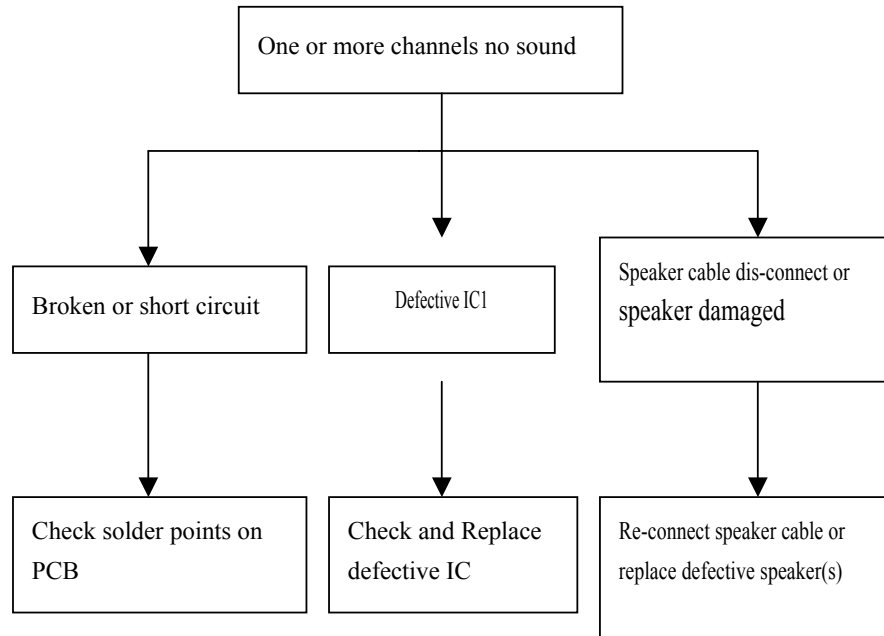
Please follow the numbered sequence marked within parenthesis given in individual Flow chat, in that this is the best-recommended sequence to rectify the problems .

1.2.1 One or more channels no sound

Problem

**Analyzer and
Identify the Causes**

Solutions

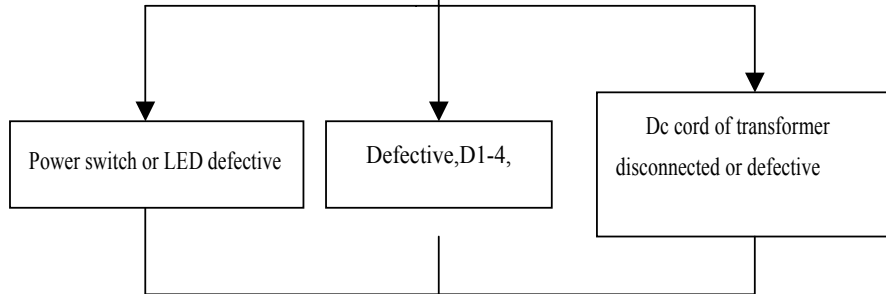


1.2.2 Power LED (indicator) no light

Problem

Power LED (indicator) no light

Analyzer and
Identify the Causes



Solutions

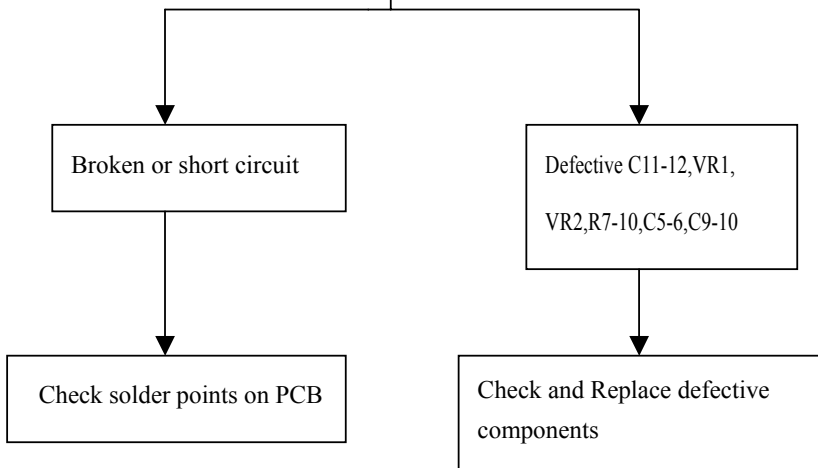
Re-solder or replace defective component(s)

1.2.3 Volume , Tone no function

Problem

Volume , Bass no function

Analyzer and
Identify the Causes



Solutions

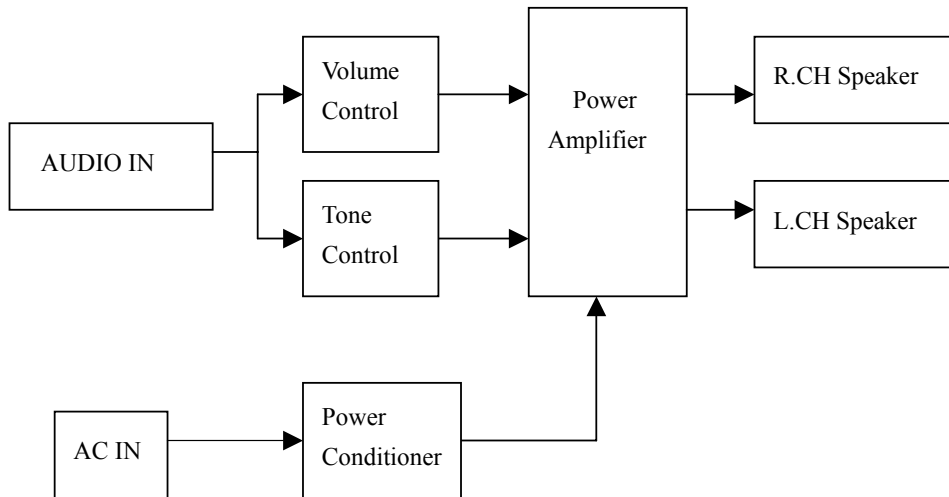
Check solder points on PCB

Check and Replace defective components

Chapter 2. Specifications

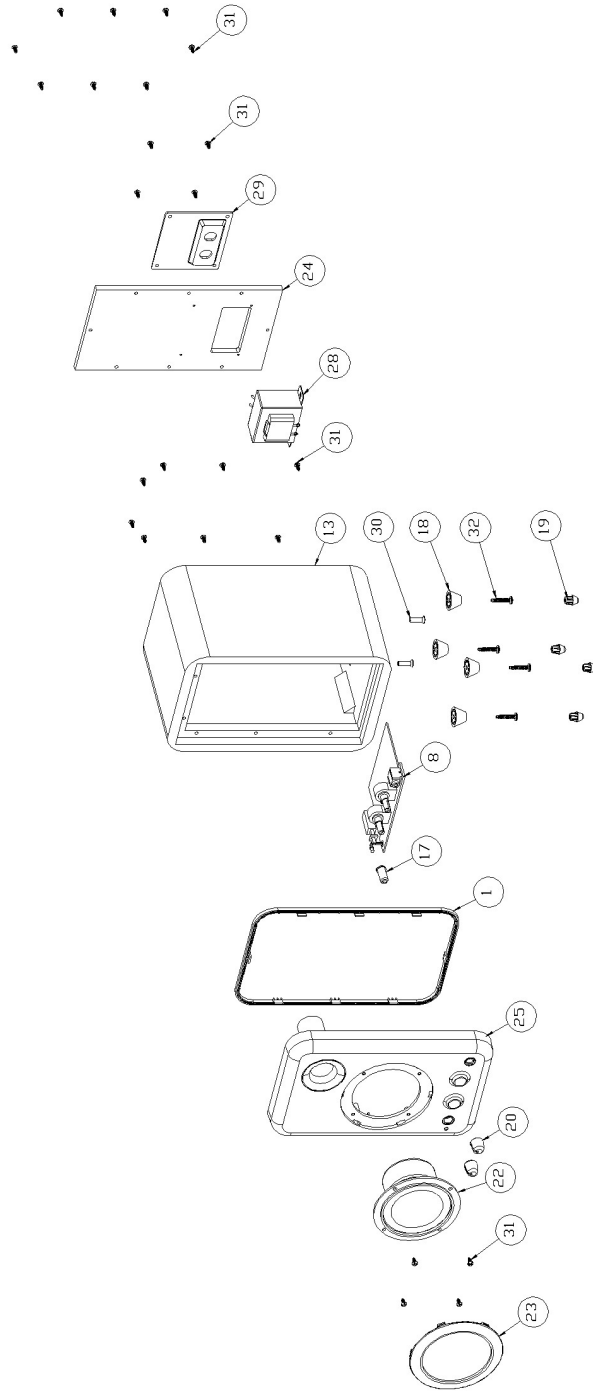
NO.	Description	Unit	Specifications
1	Out Power at THD 10%	W	≥ 7
2	Sensitivity	mV	500 ± 70
3	Freq. Response (Ref:-3dB)	Hz	35Hz ~ 20KHz
4	Separation	dB	≥ 40
5	S/N ratio	dB	≥ 50
6	Hum & Noise Vol:max	mV	≤ 10

Chapter 3. Block Diagram

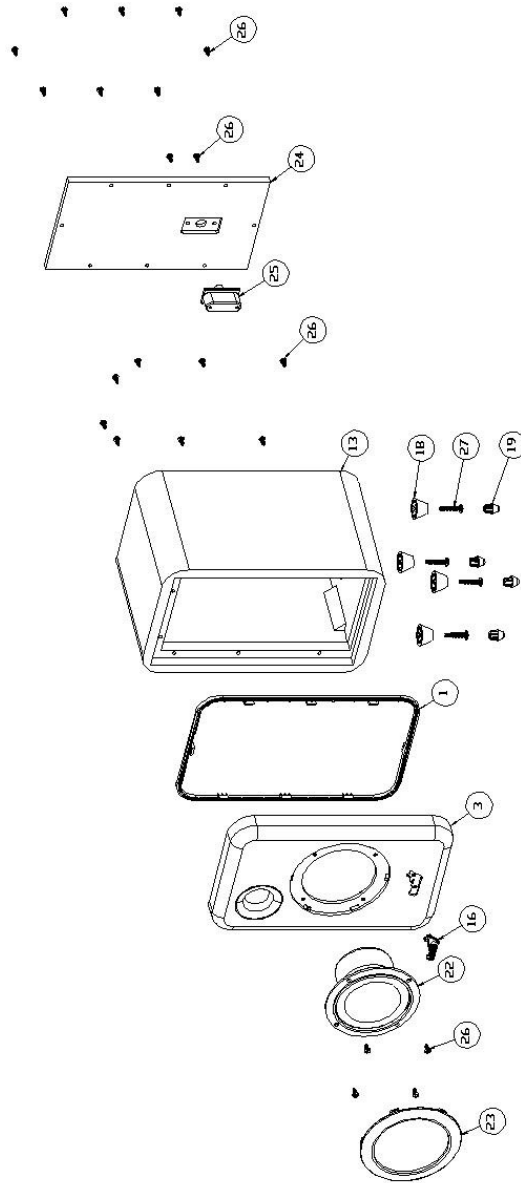


Chapter 4. Exploded View

Host



Satellite



Chapter 5. Part List

No.	DESCRIPTION	Qty	UNIT	Part No.
1	SP-HF 2.0 500/Body/Satellite	1	PC	5-101-01
2	Speaker Unit 3" 4ohm 8W	2	PC	5-100-01
3	TPR Isolation Cone, SP-HF2.0 500	8	PC	5-100-02
4	SP-HF 2.0 500/Body/Host-120V-US	1	PC	5-101-02
5	SP-HF 2.0 500/Body/Host-230V-EU			5-101-03
6	SP-HF 2.0 500/Body/Host-240V-UK			5-101-04
7	SP-HF 2.0 500/Body/Host-240V-AU			5-101-05
8	PCBA, SP-HF2.0 500			1
9	IC, TDA2007A	1	PC	1-100-07
10	Transformer, 120V:14.5VAC & 1.2A	1	PC	5-100-03
11	Transformer, 230V:14.5VAC & 1.2A			5-100-04
12	Transformer, 240V:14.5VAC & 1.2A			5-100-05
13	Gift Box, SP-HF2.0 500	1	PC	5-102-03
14	Cushion(Top/Bottom), SP-HF2.0 500	1	SET	5-102-02
15	Round Yellow Type Label (on Gift Box)	1	PC	5-102-04
16	S/N Label (on Host & Gift Box)	2	PC	5-102-01
17	Carton, SP-HF 2.0 500	1/4	PC	5-102-05
18	PE Bag, SP-HF 2.0 500	2	PC	5-102-06

Chapter 7. Important Notes

7.1 Packing Requirement for Sending the PCB Assembly by Post

PCB assembly is a kind of sophisticated electronic circuit board. Well packing will be required when sending them by post.

* Some sophisticated IC components are mounted on the PCB assembly, hence it is necessary to pack each PCB assembly with a separate static protecting bag, in order to avoid static electricity.

* Reliable external packing is also very important when sending PCB assembly by post, in that it would avoid unnecessarily lost or damage.

7.2 Short of Spare Parts while Repairing a Speaker System

If you are short of spare parts when you have some speaker systems waiting to be repaired, it would be recommended to take the necessary parts from one speaker system, so that you may have the as many speaker systems.