



Genius GPS / GSM 801 Real Time Car GPS Tracker

User Manual



**Android App
Download**



**Iphone App
Download**

Genius GPS / GSM 801 Real Time Car GPS Tracker

Welcome to use this real time car GPS tracker Genius-801. This product is with GPS module and GSM module, that has many new and unique functions, such as built in rechargeable battery for power down alarm & tracker removed alarm, built in microphone for listen sound in car, real time uploading current location to server, playing back history tracking on website or mobile phone, SMS locate with google map, sensitive shock sensor built in to control power saving etc. the tracker can auto configure APN & GPRS setting, also user can send SMS to set the APN & GPRS. it is very easy to install and using, just connect the power supply is OK, and it is wide working voltage range (9-30V), it can be used as car (12V) or truck (24V) bus etc.

With GPS and GSM, the tracker sends the present location information through GPRS to internet server, so that user visit the website www.geniusgps.com with the applied user's name and password (default user name and password are the last 7 digitals of the ID) through any computer with available internet, current location checking, history tracking playing back, alarm & running report etc can be operated, it is used for alarm, fleet management, anti-hijack etc. Normally the platform service charge is free (some distributor maybe sale different package of 1 or 2 years service charge free), please confirm your expired date after login the website, and the tracker will be active after the tracker power on.

User can download Android or iPhone iOS app software to android or iPhone mobile phone, click the app, logon with user name and password, you can locate current location & display history tracking, the user name and password is same with the website login. Also following 999GPS official account on WeChat software, map or text description location can be send back by WeChat. Basically using mobile phone send SMS or call the tracker can get the SMS of the current location Google map link.

This GPS tracker can be used as car alarm, fleet management, driver management etc, it can be used for tracking cars, company vehicles, buses, taxis, trucks, etc.

Genius GPS



Before Using

1. Power ON / OFF

If the tracker is powered OFF, connect the power wire to the car battery can make the tracker power on automatically, also press and hold the ON/OFF Button and release after the GREEN LED is ON, the tracker will power on.

If the tracker is powered ON, press and hold the SOS button until the GREEN LED flash quickly, release the button, and press the SOS button 3 times quickly, then the GREEN LED will turn off and the tracker will power OFF.

2. Install SIM card

Remove the battery cover according the following diagram, and remove the battery, the SIM card socket can be seen, Push the SIM card cover up to release the socket (to "OPEN" direction in the following diagram), and put the SIM card into socket (Pay attention to that the SIM card metal contact pin need face down to the socket), cover the SIM card metal cover and push the cover to "LOCK" direction to lock the SIM card. And then put the battery in and lock the battery cover.



NOTE:

1> This tracker use 2G GSM network, and it upload tracking only through GPRS, it can not work in CDMA network or 3G(WCDMA or CDMA2000) network. (Many 3G SIM card can use 2G GSM network, this kind of SIM card can be used in this tracker).

2> Enable the SIM card GPRS service (some SIM card need send SMS or USSD command to enable GPRS function), order a GPRS data package (20-30M/month) can save data charge (Normally the tracker will use about 20M GPRS data every month)

3> Please confirm the PIN code of the SIM card is disabled.

4> Before installing or uninstalling the SIM card, please power off the tracker.

3. LED flash indicator

GREEN LED Flash once	GSM & GPS working well
GREEN LED Flash twice	GSM working well and no GPS signal
GREEN LED Flash three times	GSM & GPS working well but battery low
GREEN LED Flash four times	GSM working well, battery low and no GPS signal
GREEN LED ON continuously	GSM searching network
GREEN LED OFF continuously	Power off
GREEN LED Flash fast	Incoming a call or sending SMS
RED LED Flash once	Uploading current tracking
RED LED Flash twice	Can not upload tracking now
RED LED Flash slowly	The tracker is being charged

4. Power supply

For CCTR-801, the tracker uses the 9-30V DC power supply, too high voltage or AC voltage may damage the tracker or even cause accidents, it is necessary connecting to car battery all the time, after the backup battery is full, the built in recharging circuit will stop recharging, and if the tracker is not move, the tracker will go to sleep, then the tracker will cost few power to protect the car battery, this will not make the car battery can not start car engine.

RED	12V/24V car battery
BLACK	GND (Car Body)
YELLOW	Cut Relay Driving (Immobilizer Control)
WHITE	External SOS button



Note: The first power on and locate maybe delay over 10 minutes to wait recharging the battery, the built in recharging circuit will auto stop charging after the battery is full.

5. Power Down Alarm:

When the tracker power supply is off or the voltage is too low, the GREEN LED of the tracker will flash 3 times, and then the tracker will send power down alarm SMS to the preset phone. This means the tracker power is removed or the tracker is removed, please confirm.

Power Down Alarm

Battery:88%

6. Back to Factory Setting

Send the SMS command to the tracker can reset the tracker setting to the factory mode (just like new tracker). The SMS command is FACTORY*123456. FACTORY is command, 123456 is tracker password.

7. ANTENNA

The Antenna of GSM and GPS are built in the tracker. So please leave the tracker away from big metal, that will reduce the GSM and GPS signal.

8. Using Condition

The working temperature is -20° to 60°, over this range the specification maybe can not reach the standard level. the storage temperature can reach to -40° to 80°.

Simply Using Step

1. First to buy a 2G GSM phone SIM card and enable GPRS service, order a data package 20-30M (Normally tracker will use 20M data every month), install in the tracker, please refer Before Using 2.
2. Connect the tracker power wire to the car battery or press the ON/OFF button till the Green LED on continuously, the tracker is powered on, put the tracker outdoor for easy get GPS & GSM signal.

3. Check LED flash, refer Before Using 3 for detail, If Green LED flash once means GSM and GPS signal well. And Red LED flash once means the location has been uploaded to the server.
4. Call the tracker or send SMS "LINKLOCATE*123456" to the tracker, the tracker will reply the tracker location with Google map link by SMS.
5. Visit & login the tracking platform www.geniusgps.com, display current location, playback history tracking etc can be operated, platform user name and password is the last 7 digital numbers of the tracker's ID (for example ID is : CC8001401234567, and then the user name is : 1234567, password is :1234567, user can change the password, send SMS "ID*123456" or "CHECK*123456" to tracker can check tracker ID).
6. iPhone Android App,Wap,WeChat also use the same user name and password with website login, downloading & installation please refer the platform operation guide.
7. Fleet user can be created for easy fleet management.
8. This tracker can auto configure APN & GPRS user name & password, if the auto configure is not right, the Red LED will flash twice, the tracker can not upload location to server, then you need send SMS to tracker to change the APN & GPRS manually, send "CHECK*123456" to tracker can check the APN auto configure, call the tracker SIM card supplier to confirm the APN & GPRS is right. Send "APN*123456*apnname" and "USERNAME*123456*username*password" to tracker can change the APN & GPRS setting, please refer the following for detail.

Basic Locate Operation & Setting

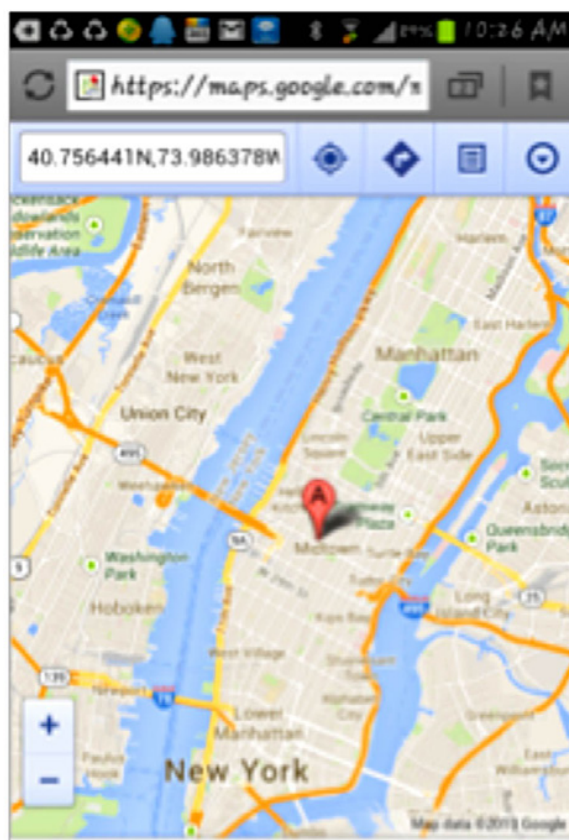
1. Add authorized phone number

Send SMS"ADDPHONE*123456*A*number"(Not including the quotation marks " ", Number means the telephone number you want preset, the following is same) to tracker is OK, "ADDPHONE" is a command; "123456" is password; "A" is authorized number location, every tracker have 3 authorized phone number locations, A and B, and C, so you can set 3 phone numbers, if the add operation is success, the tracker will send back the information "Add Preset Phone OK", if the password is not right, the operation is fault, the tracker will send back information "Wrong Password".

2. Making a call trigger reply Google map link SMS(Platform is not necessary):

Call the tracker SIM card number, after ring 3 times, the tracker will hang up the call automatically and locate immediately, a few seconds later, the tracker will send back SMS with current location google map website link. user click the website link to visit internet, the map will display on mobile phone. If the tracker has set the authorized phone number, then only authorized number calling the tracker can trigger the tracker locate and reply SMS, other phone number calling has no response.

The SMS information sample is as follow:



ENGLISH

**[https://maps.google.com/
maps?q=40.756441N,73.986378WBattery:91%](https://maps.google.com/maps?q=40.756441N,73.986378WBattery:91%)**

3. Send a SMS trigger reply Google map link SMS(Platform is not necessary):

Send SMS "LINKLOCATE*123456" to the tracker also can trigger the tracker locate & reply Google map link SMS, "LINKLOCATE" is a command, "123456" is password; if the password is not right, the operation is fault, the tracker will send back information "Wrong Password". The SMS & map examples are same as above

4. Arm / Disarm (Shock Alarm) by sending SMS

Send SMS "SHOCKALARMON*123456" to tracker, "SHOCKALARMON" is a command, "123456" is password, the tracker will send back the information "Set Shock Alarm ON" to indicate the operation is success and go to arm state, if the password is not right, the operation is fault, the tracker will send back information "Wrong Password". After go to shock alarm state, the system will check shock sensor, if the shock sensor is trigger (only continuously shock can trigger the shock alarm to avoid trigger by mistake), the tracker will send alarm

and location information by SMS to the authorized phone number, and send the alarm information to the website server, also the tracker will call the authorized number A first, if no answered then B and C, if 3 authorized all no answered, then stop calling, If the tracker is triggered continually, every authorized phone will receive max 3 alarm SMS per hour.

If the authorized number have been set, use the authorized phone number to send SMS “ARM#” to the tracker also can trigger the tracker to enter arm state.

The shock alarm SMS is as follow:

Shock Alarm

<https://maps.google.com/maps?q=40.756441N,73.986378W>

Send SMS “SHOCKALARMOFF*123456” to tracker, “SHOCKALARMOFF” is a command, “123456” is password, the tracker will send back the information “Set Shock Alarm OFF” to indicate the operation is success and disable the shock alarm, if the password is not right, the operation is fault, the tracker will send back information “Wrong Password”.

After disable the shock alarm, the system will not check shock sensor again. Also send SMS “CANCELALARM*123456” to the tracker can cancel this alarm setting.

If the authorized number have been set, use the authorized phone number to send SMS “DISARM#” to the tracker also can trigger the tracker to enter arm state.

Senior Locate Operation & Setting

1. Add / Delete / Check authorized number:

The authorized phone number is used to send alarm information by SMS, or use mobile phone to locate the tracker without platform, if the authorized phone number is not set, then the alarm information can not send to user by SMS (alarm, battery low, SOS, etc). The Add command please see “Basic Locate Operation & Setting”.

Delete authorized phone number by SMS

Send SMS “DELETEPHONE*123456*A” to the tracker, “DELETEPHONE” is a command; “123456” is password; “A” is authorized phone number location, there are 3 locations “A” and “B” and “C”;

if the delete operation is success, the tracker will send back the information "Delete Preset Phone OK", if the password is not right, the operation is fault, the tracker will send back information "Wrong Password".

Check authorized phone number by SMS

Send SMS "CHECKPHONE*123456" to tracker, "CHECKPHONE" is a command; "123456" is password; if the operation is success, the tracker will send back the information "Preset Phone A:13987654321; B:13876543210; C:13765432100", the phone number is just an example. if the password is not right, the operation is fault, the tracker will send back information or "Wrong Password".

2. Change / Check Tracker Password

The tracker password is used to protect the tracker only can be operated by owner, every SMS command need follow tracker password, the default tracker password is 123456, for higher security please change the tracker password.

Change tracker password

Send SMS "CHANGEPASSWORD*123456*888888" to tracker, "CHANGEPASSWORD" is a command; "123456" is old password; "888888" is new password; if the operation is success, the tracker will send the information "New Password: 888888" to every preset phone number, if the password is not right, the operation is fault, the tracker will send back information "Wrong Password".

Note: Only The authorized phone can change the password.

Check tracker password

Send SMS "CHECKPASSWORD" to the tracker, "CHECKPASSWORD" is a command, if the operation is success, the tracker will send back the information "Password:888888"; "888888" is an example.

Note: Only The authorized phone can check the password.

3. Set APN & GPRS

This tracker use GPRS to upload the information to internet server, most mobile company SIM card need enable GPRS service first & set APN and GPRS user name & password, please call your tracker sim card mobile phone company to confirm.

This tracker can download & configure APN & GPRS username password automatically after power on according the different SIM

card in the tracker, if the APN & GPRS user name password are not right (Red LED will flash twice), then you need sending SMS to tracker to change them manually, please confirm the auto configuration of APN & GPRS user name password is right, call your tracker SIM card mobile phone company to get the APN & GPRS setting, sending SMS "CHECK*123456" to tracker can check the current APN & GPRS auto setting. if the APN & GPRS are not right, please set by the following description.

Send SMS "APN*123456*apnname" to the tracker, in which, "APN" is the fixed command, "123456" is the password and "apnname" is the APN name of a mobile phone company. Having successfully been made, there will be a SMS "APN: apnname".

Send SMS "USERNAME*123456*username*password" to the tracker, "USERNAME" is a command, "123456" is the password of the tracker; "username" is the mobile company GPRS user name, "password" is the mobile company GPRS password, if the operation is success, the tracker will send back the information "Username:username, Password:password", please call the mobile phone service hot-line to get the GPRS username and password, some mobile company it is not necessary to set the GPRS username and password. if the password is not right, the operation is fault, the tracker will send back information "Wrong Password".

4. Set Website Server IP address

The tracker IP address has been set to default : 58.64.155.133,8011 in factory, for normally this is not necessary to change, If our server IP is changed, we will notice on the website. But if you need upload location to your own server, send SMS "IP*123456*58.64.155.133,8011" to the tracker, in which, "IP" is the fixed command, "123456" is the password and "58.64.155.133,8011" is the IP address & port of the your own server. Having successfully been set, there will be a SMS "IP: 58.64.155.133,8011".

5. Set the upload time interval

The GPS location information upload time can be set from 30 to 999 seconds. Send SMS "INTERVAL*123456*yyy" to tracker, "INTERVAL" is a command, "123456" is password, "yyy" is the interval time from 30 to 999, unit is second. The tracker will send back information "INTERVAL:yyy ", if the password is not right, the operation is fault, the tracker will send back information "Wrong Password". 30

seconds is the default interval time. Longer upload interval time can save battery and GPRS data cost, but this will make the total mileage to more error.

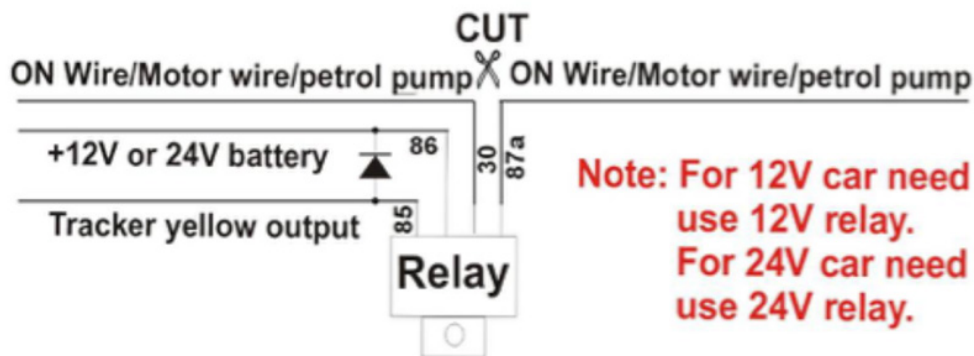
6. Keep Tracker Online

Send SMS “KEEPONLINE*123456” to tracker can make the tracker keep online all the time, “KEEPONLINE” is a command, “123456” is password, the tracker will not go to standby mode after the tracker stop moving, it means the tracker will turn on the GPS module all the time, then user can control the tracker all the time, this mode will cost some GPRS data and power battery, this mode can be canceled and got to default shock sensor control mode (If the tracker stop moving 2 minutes, it will turn off GPS and go to standby mode to save GPRS data charge & car battery) by sending SMS command “CANCELALARM*123456”. If the shock sensor sensitivity is not high enough or the car is stolen, enable this mode can make the car can be controlled all the time.

7. Remote Turn Off Car Engine (Cut Oil Power)

Send SMS “STOPENGINE*123456” to tracker, “STOPENGINE” is a command, “123456” is password, the car engine will be turned off immediately. The tracker will send back information “Turn Off Car Engine Success”, if the password is not right, the operation is fault, the tracker will send back information “Wrong Password”.

The output current of the tracker is smaller than 500mA, so a relay is necessary to install to turn off the car engine, and also a diode is necessary to add to protect the tracker driving wire, the diagram is as follow:



The remote turn off car engine can be disabled by “CANCELALARM*123456” command, also “RESET*123456” command can disable this command.

Attention: Turning off engine is very dangerous when car is driving, this will make the car difficult to control and maybe cause a accident, so we recommend make the relay cut the start motor wire, this will make you can not remote turn off car engine, but you can make the car engine can not be started.

8. Listening or Monitor sound around tracker

Send SMS "LISTEN*123456" or "MONITOR*123456" to tracker, "LISTEN" and "MONITOR" is a command, "123456" is password, then the tracker will make a call back to the SMS sender, user pick up the calling and then the sound around the tracker can be listened. Hang up the calling will stop the LISTEN & MONITOR command.

9. Check tracker setting

Send SMS "CHECK*123456" to tracker, "CHECK" is the fixed command, "123456" is password. The tracker will send back information including software version, ID S/N number, IP address, authorized phone number, GPS and GSM signal etc. if the password is not right, the operation is fault, the tracker will send back information "Wrong Password".

The following is an example :

801,V Mar 03 2014,CC0801C00820800,ShockContr	
ol,58.64.155.133,8011,30, A:13987654321 B:13876543210,GPS	
OK,GSM:-95dBm,User,Password,46000,e1d/24a0,88%	
801,	:Product Model
V Mar 03 2014	:Software version date
CC8001400820800	:ID S/N number
ShockControl	:Uploading Mode (Keep online or Shock control)
58.64.155.133,8011	:Server IP and Port
30	:Upload Interval Time
A:13987654321	:Authorized number (A/B/C)
GPS OK	:GPS status
GSM:-95dBm	:GSM signal strength
CMNET	:APN name
User,	:GPRS user name
Password,	:GPRS password
46000,	:Sim Card MCC+MNC
e1d/24a0,	:Current Cell ID
88%	:Battery

Note: This command usually be used to check the tracker current status & configuration, if the tracker can not work well, this command can check what the problem is.

10. Re-power On & Reset Tracker

Send SMS “RESET*123456” to tracker, “RESET” is a command, “123456” is password. The tracker will send back information “Reset Tracker and cancel all alarm setting”, if the password is not right, the operation is fault, the tracker will send back information “Wrong Password”.

The tracker will power off and then power on automatically, this will take a few minutes, and then cancel all the alarm setting in the tracker, including shock alarm, turn off car engine etc.

11. Back to factory configuration

Send SMS “FACTORY*123456” to tracker, “FACTORY” is the fixed command, “123456” is password. The tracker will send back information “Set factory setting OK”, if the password is not right, the operation is fault, the tracker will send back information “Wrong Password”.

After this, The tracker will cancel all the alarm setting in the tracker, including shock alarm, move alarm, geo-fence alarm, over speed alarm, delete all the authorized phone number, delete the APN and GPRS user name and password, change the tracker password to 123456, reset the IP address, reset the system working mode and the interval time, and so on.

- 1> If forgot the password, you can not reset by the SMS command.
- 2> After back to default set, if the IP/APN/GPRS name & password are changed manually, you need set these again by sending SMS.

12. Cancel All Alarm Setting

Send SMS “CANCELALARM*123456” to tracker, “CANCELALARM” is a command, “123456” is password, the tracker will send back information “All Alarm Cancel”, and cancel all the shock alarm setting in the tracker. if the password is not right, the operation is fault, the tracker will send back information “Wrong Password”.

Note: *RESET and FACTORY also can cancel all alarm setting, about the difference please see above.*

13. SOS Emergency

In the normal mode press the SOS button and don't not release (Press button over 6 seconds), the GREED LED will flash quickly,

a few seconds later the GREEN LED will turn OFF, then release the button, the tracker will send SOS help information to all 3 preset phone.

The SOS SMS information sample is as follow:
HELP !

<https://maps.google.com/maps?q=40.756441N,73.986378W>
Battery:91%

If user receive the HELP information, please note that the SOS button must be pressed, please call the driver to confirm with the user is safe or not or call the police.

The SOS function need installing the external SOS button, install the external SOS button in a hidden place that driver can press the button, connect one wire of the SOS button to GND (car body), another wire of the SOS button to tracker SOS wire.



Notes:

1. This tracker use 2G GSM network, and it upload tracking only through 2G GPRS, it can not work in CDMA network or 3G(WCDMA or CDMA2000) network, Some 3G card can work in 2G GSM network, then this kind of 3G SIM card can be used in this tracker, please call mobile phone company to confirm the sim card support 2G GSM network or not.
2. Please confirm that the SIM card PIN code has been disabled, Otherwise the tracker can not find GSM network, the Green LED will keep ON.
3. Also please confirm the SIM card has enable GPRS service, the tracker will cost 20-30M GPRS data every month, order a GPRS data package can save money.
4. The antenna of GSM and GPS is built in tracker, please note that the install location of the tracker must can receive the GPS signal, normally the back of the seat or arm rest box or under the back window or room on the panel etc. please leave away the tracker from big

- metal, and keep away from the magnetic components.
5. The tracker built in high capacity Li battery, recharge one time can use about 15-20 days (standby), please use our OEM DC adapter for charging, change the working mode can extend the working time longer.
 6. The tracker built in GSM and GPS module, so please power off the tracker at the special place that restrict using mobile phone, such as on the plane, etc.
 7. The GPS need 10-200 seconds to locate the position, when the GSM signal is weak or the network is very busy, the SMS maybe delay to send by the GSM network, this is normal.
 8. The tracking data on our server will keep 6-12 months, the old data will be deleted.

Trouble Shooting:

1. The tracker auto power off: please confirm the tracker battery have enough power, and try to recharge it; and confirm the adapter is working well (When charging the LED on the adapter is RED, if the LED is GREEN means the charging is finished, the charging process will cost 5-10 hours).
2. After power on the tracker, the tracker GREEN LED keep on, and it has not any repose, and no ring, please confirm the SIM card has been installed properly, the SIM card PIN code is disable, and the SIM card has enough charge, and the mobile phone can work well in that place. If the tracker work well the Green LED will flash once every 4 seconds.
3. If the tracker can not upload location to website, please confirm the SIM card has GPRS function, and the APN or GPRS auto configure is right, (Send SMS "CHECK*123456" to check auto configure, and call the mobile phone hot line to confirm APN & GPRS). if the tracker do not move, the tracker will not upload tracking, try moving the tracker.
4. If the tracker can not send back information by SMS, please confirm the SIM card has ID caller display function and SMS service function, and please read the SMS information of the tracker sending back, and check the instruction & password is right or not.

5. When call the tracker, it has ringing, but it will not hang up the calling, please check the tracker has set the authorized phone number, use the authorized phone call the tracker, or delete the authorized phone number.
6. Can not login the platform: send SMS to check the ID of the tracker, then try again, if not success please contact your supplier.
7. After go out the under ground park, some tracking maybe lost, the GSM and GPS module will take a few minutes to receive signal and re-locate, some tracking maybe lost, this is normal.
8. Some time some location point is lost, this is normal, in the transmit process, some point maybe lost, but this will not happen very often.

Specification:

GSM Module	SIMCOM 900 or 800	GPS Module	Sirf-Star or MTK
GSM Frequency	850/900/1800/1900 MHz	GPS channel	32 channels
GSM / GPS Antenna	Built in	Locate precision	10-20 Meters
Working Current	<200mA	GPS Hot Start Time	1 second
Standby Current	< 1.5 mA	GPS Cold Start Time	36 seconds
Battery	2000mAh	Recharging Current	< 5.5V/500mA
Working Temperature	-20 0C to +55 0C	Storage Temperature	-40 0C to +80 0C

Warranty

This system has been tested before sold. We strongly recommend you to get this system installed by professional. There is a one-year warranty except the following condition:

1. Installed, fixed, or changed by personally or unprofessional.
2. Warranty will eliminate if the ownership of the tracker has been changed.
3. Parts damaged by man-made.
4. Battery, adapter, wires, etc.

Warning: this device is just an auxiliary product that applying the location of current object, we have not any responsibility if you have damage or lost in using this tracker.

Customer Name			
Customer Phone		Tracker SIM card	
Model		Serial Number	
Purchase Date		Expired Date	
Distributor			

Notes: The explanation of this manual is belonged to our company, some small changes may not notice customer, if you have any problem please contact us, thanks!