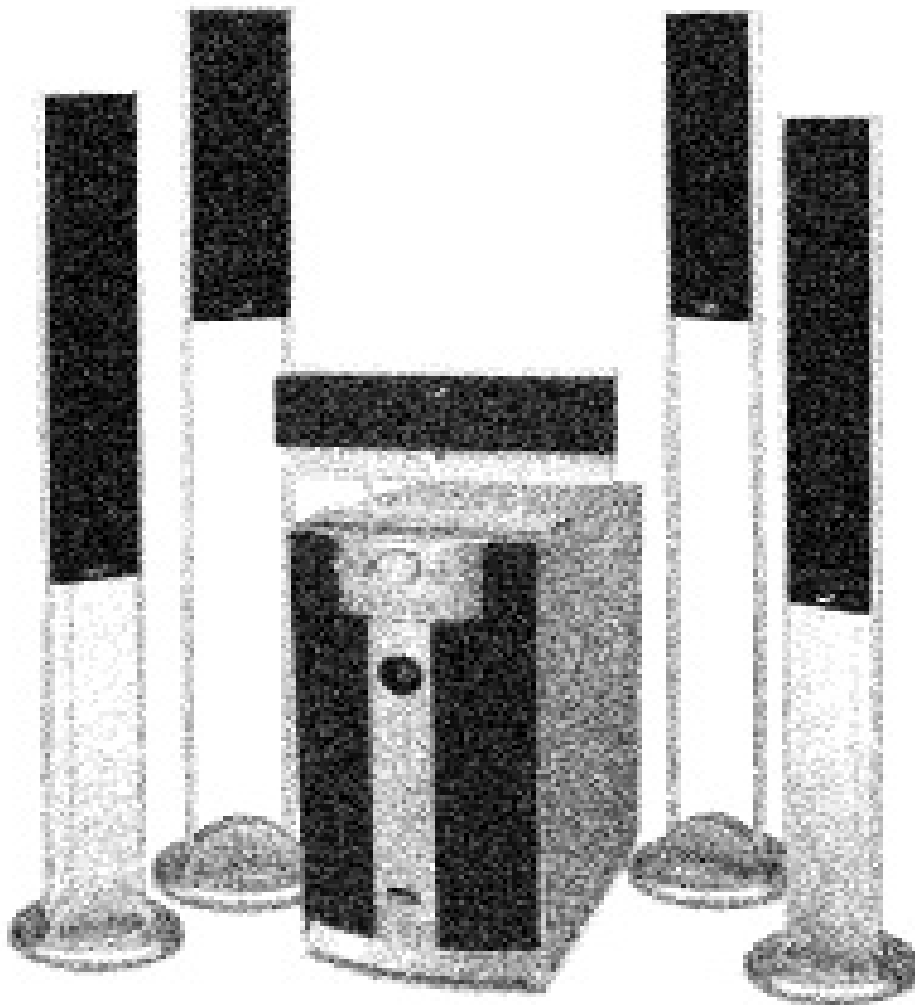


# Service Manual



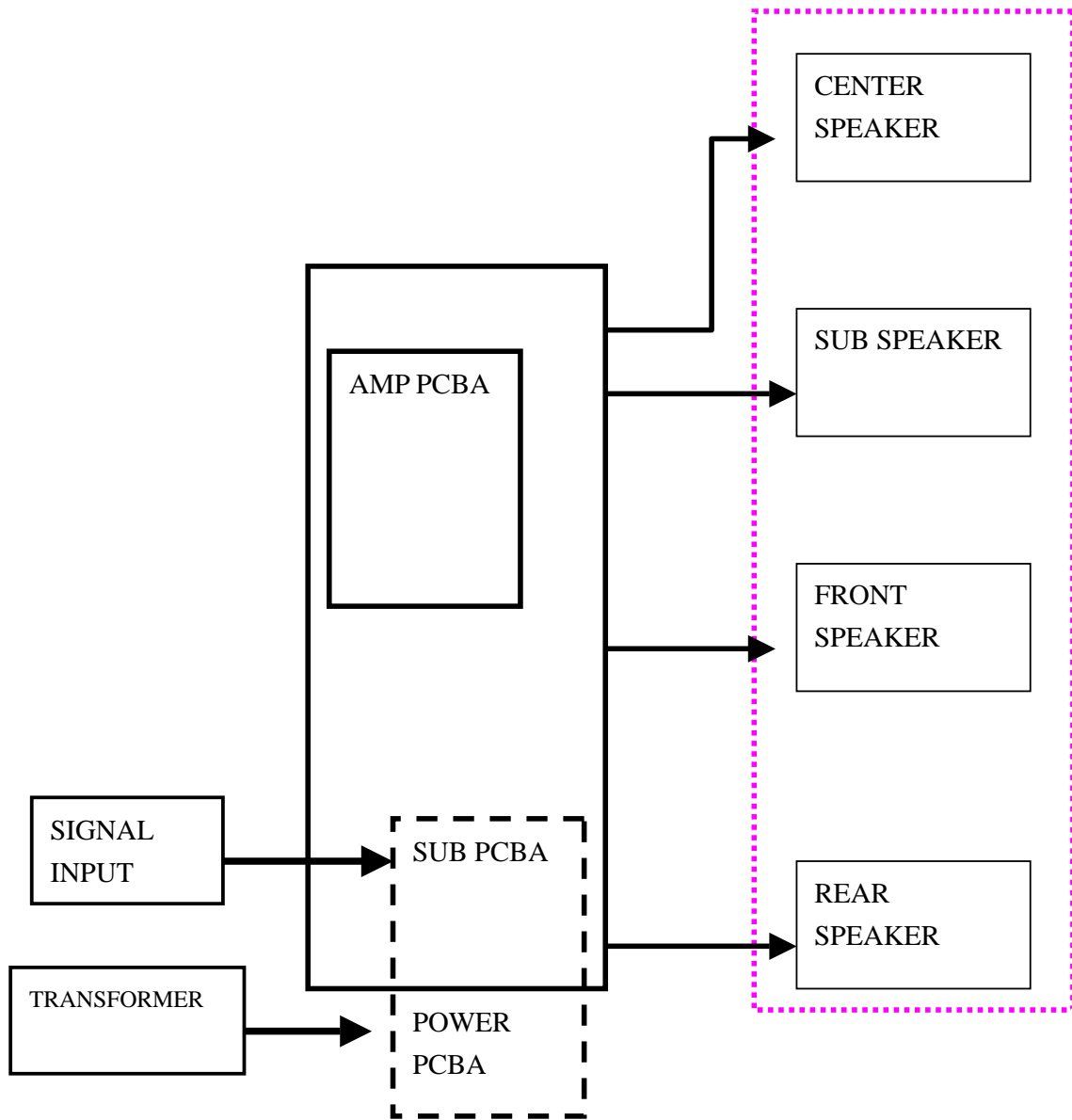
GHT-511 HOME THEATER

# Table of Contents

GHT-511 HOME THEATER .....	0
Chapter 1. INTRODUCTION.....	2
Function Block.....	2
Chapter 2. Troubleshooting Guide.....	3
Chapter 3. Removal and Replacement.....	4
Disassemble & Assemble the Fuse .....	4
Disassemble & Assemble the Rear Cover.....	5
Disassemble & Assemble Amplifier PCBA(SUB) .....	6
Disassemble & Assemble the Power Supply PCBA.....	7
Chapter 4. Testing Procedures .....	9
Chapter 5. Important Notes.....	10
Packing requirement for sending the PCB assembly.....	10
Short of spare parts while repairing a speaker .....	10
Chapter 6. Parts list (Vender's number).....	11
Chapter 7. Tools .....	12

# Chapter 1. INTRODUCTION

## Function Block





## Chapter 2. Troubleshooting Guide

Problems	Condition	Probable Reasons	Solutions
1.no power	1.power cable	1.cable broken	1.replace power cable
	2.fuse	1.fuse broken	1.replace fuse
	3.PCBA	1.center PCBA NG	1.replace center PCBA
		2.power PCBA NG	1.replace power PCBA
2.display L.E.D. unlight	1.cover broken	1.L.E.D. broken or NG	1.replace L.E.D.
	2.PCBA	1.MPU NG	1.replace MPU
		2.cable broken	1.replace cable
3.button NG	1.button	1.button NG	1.replace button
	2.PCBA	1.receiver NG	1.replace receiver
		2.cable broken	1.replace cable
		3.power PCBA NG	1.replace power PCBA
4.no sound	1.signal cable	1.signal cable NG	1.replace signal cable
	2.PCBA	1.AMP PCBA NG	1.replace AMP PCBA
		2.RCA socket NG	1.replace RCA socket
5.noise	1.speaker	1.speaker NG	1.replace speaker
	2.PCBA	1.power PCBA NG	1.replace power PCBA
		2.AMP PCBA NG	1.replace AMP PCBA

## Chapter 3. Removal and Replacement

### Disassemble & Assemble the Fuse

	<p>Fuse</p>	
<p><b>Step 1</b> Use a screwdriver to turn counterclockwise and open the fuse's cap.</p>		
<p><b>Step 2</b> Get the Fuse and replace it with the same rate.</p>		
<p><b>Step 3</b> To install the Fuse, reverse the steps shown above.</p>		

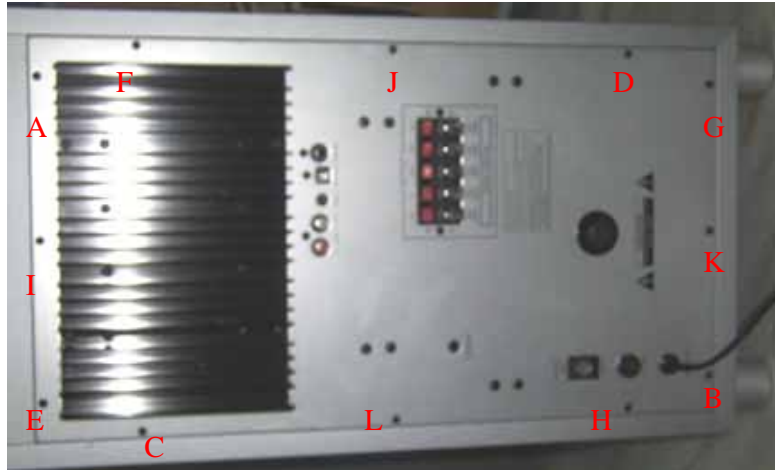
## Disassemble & Assemble the Rear Cover

### *Step 1*

Using a screwdriver to loose 12 screws.

After taking all screws off, you can take up the Rear cover.

To install the rear cover, reverse the steps shown above.

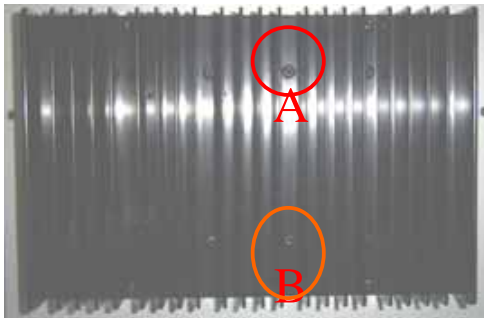


## Disassemble & Assemble Amplifier PCBA(SUB)



### Step 1

- \*Disassemble the Rear Cover first.
- Disconnect the cables & wires
- \*Mark the position of cables & wires



### Step 2

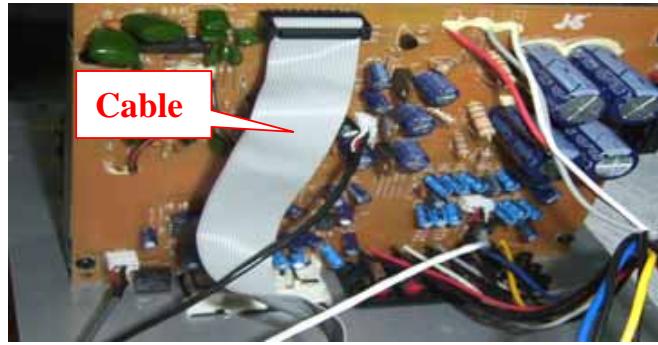
To loose 2 screws.(A & B)



### Step 3

To loose 2 screws. After taking all screws off, you can take up the Amplifier PCBA  
\*To install the Amplifier PCBA, reverse the steps shown above.

## Disassemble & Assemble the Power Supply PCBA



### Step 1

\*Disassemble the Rear Cover first.  
Disconnect the cable.



### Step 2

To loose 8 screws. Form A-H.



### Step 3

To loose 4 screws. Form I-L.

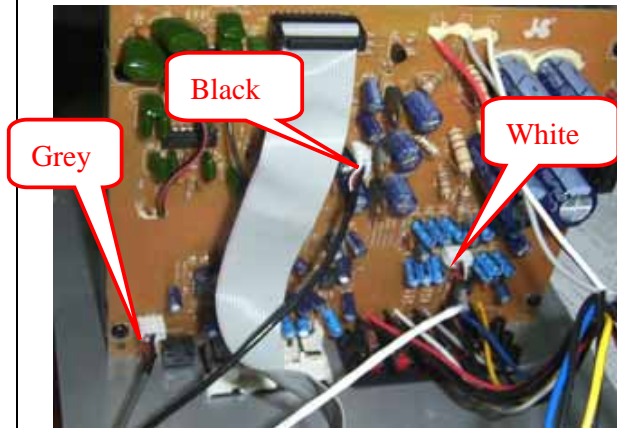


### Step 4

Unsolder the wires on Power Supply PCBA. And remove the wires.

\*Mark the position of wires





**Step 5**

Unsolder the wires on Power Supply PCBA. And remove the wires.

\*Mark the position of wires

**Step 6**

Disconnect the 3 cables. \*To install the Power Supply PCBA, reverse the steps shown above.

## Chapter 4. Testing Procedures

**Step 1**

Connecting the GHT-511 to a DVD or VCD player. Play a music CD on it.

**Step 2**

Power on the GHT-511.

**Step 3**

Rotate the volume knob if it changes the volume level of each channel.

**Step 4**

Rotate the Surround volume knob if it change the volume level of Surround channel.

**Step 5**

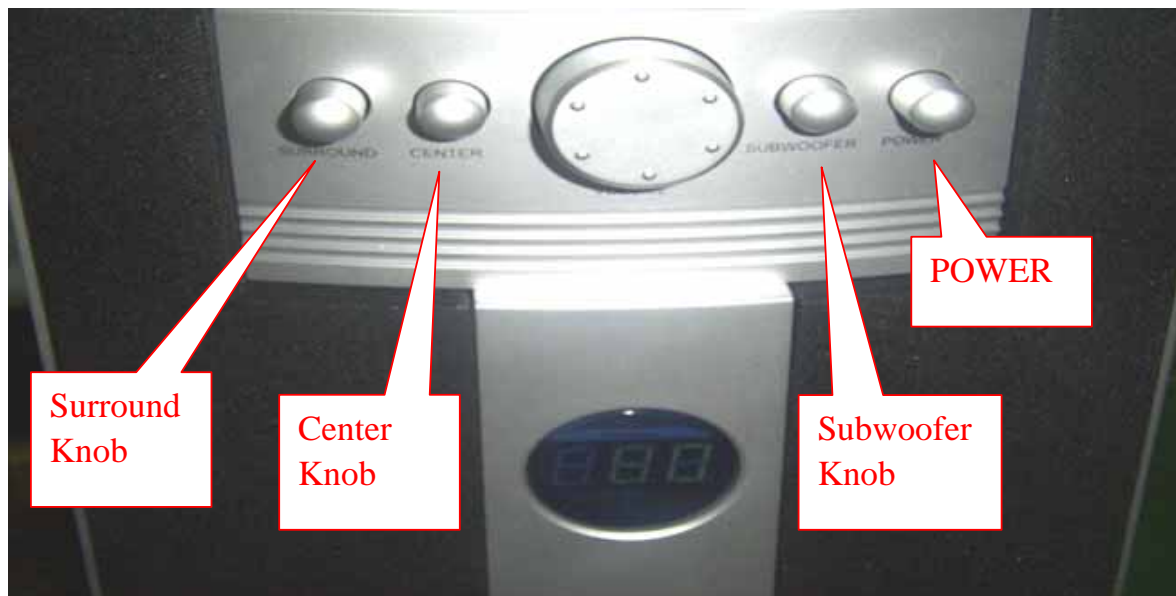
Rotate the Center volume knob if it change the volume level of Center channel.

**Step 6**

Rotate the Subwoofer volume knob if it change the volume level of Subwoofer channel.

**Step 7**

Press the Mute button if it makes the volume level of each channel to null.



## **Chapter 5. Important Notes**

### **Packing requirement for sending the PCB assembly**

PCB assembly is a kind of sophisticated electronic circuit board. Therefore, well packing will be required when sending them by post or courier.

1. Some sophisticated IC components are mounted on the PCB assembly, hence it is necessary to pack each PCB assembly with a separate static protecting beg, in order to avoid static electricity.
2. Reliable external packing is also very important when sending the PCB assembly by post, in that it would avoid unnecessarily lost or damage.




### **Short of spare parts while repairing a speaker**

If you are short of spare parts when you have some speakers waiting to be repaired, it would be recommended to take the necessary parts from one speaker, so that you may have the as many as speakers be repaired and sent back to your customer, and left only one or few speakers waiting for spare parts sending from KYE.

## Chapter 6. Parts list (Vender's number)

Item	Part number	description	Position
1	J66-01236-000	PCBA AMP	
2	J66-01236-400	PCBA CENTER AMP	
3	J66-01335-000	PCBA POWER	
4	J66-01335-010	PCBA VOLUME CONTROL	
5	J83-005AA-U00	FUSE 125V/5A SLOW BLOW	
6	J51-00002-03	NJM4558DD	
7	J53-00001-02	Diode 1N4148	
8	J51-01054-000	IC TDA7296 60W	
9	J52-21001-000	Resonator 4MHZ	
10	J51-01011-000	IC TL074/	
11	J51-11018-000	IC L7815	
12	J51-11019-000	IC L7915	
13	J51-21006-010	IC PT2258	
14	J52-00027-01	Transistor 2SC1815	
15	J52-31003-000	FET 2SJ111	
16	J53-21009-000	Diode KBU808	
17	J51-11024-000	IC L7805CV/ST	
18	J51-21002-300	MPU EM78P451P	
19	J52-00026-02	Transistor 2SA1015	

## Chapter 7. Tools

	<ol style="list-style-type: none"><li>1. VCD or DVD Player</li><li>2. MUSIC CD or DVD</li></ol>
	<ol style="list-style-type: none"><li>1. Soldering-Iron (40W)</li></ol>
	<ol style="list-style-type: none"><li>1. Tweezers</li><li>2. Screwdriver</li><li>3. Pliers</li><li>4. Multimeter</li><li>5. Glue-heater</li></ol>